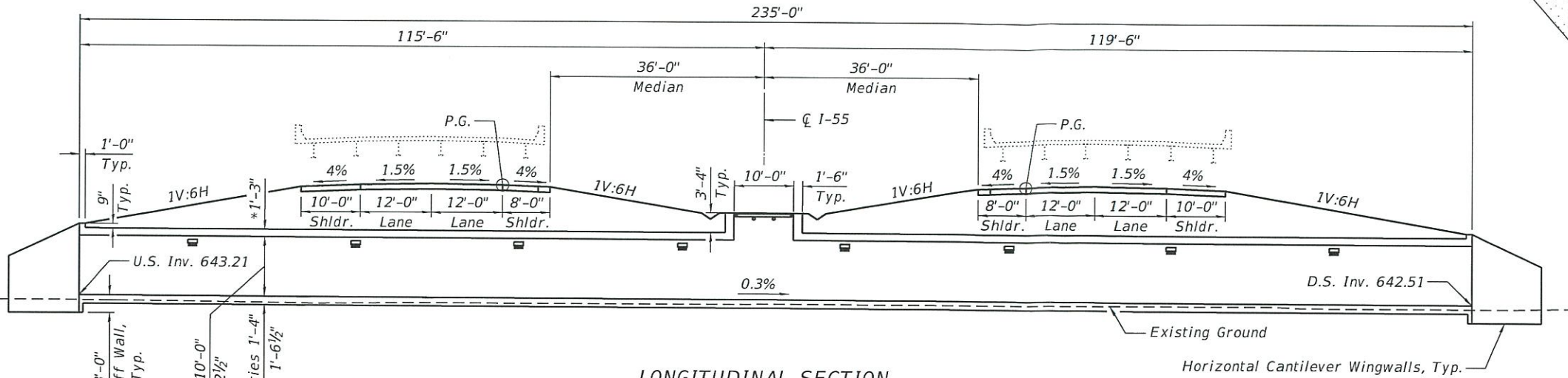


Benchmark: BM 83 - Chiseled "□" on top of Southeast wingwall, S.N. 053-0126, Southbound I-55, Elev. 672.14.

Existing Structure: S.N. 053-0126 & 053-0127 were built in 1973 as F.A.I. 55, Section 53-5VB-1 at Sta. 136+65.28. Existing structures are 3-span continuous bridges with W30 steel beams, stub abutments and multi-column piers. 148'-10" bk to bk. abutments, 42'-0" out to out deck with no skew. Both existing structures will be removed and replaced with a shared use path culvert. The culvert will be constructed in its entirety, followed by removal of the existing structures and construction of the roadway by halves using crossovers in order to maintain one lane of traffic in each direction. No Salvage. Precast alternate is not allowed.



LONGITUDINAL SECTION
(Invert Elevations at C Barrel)

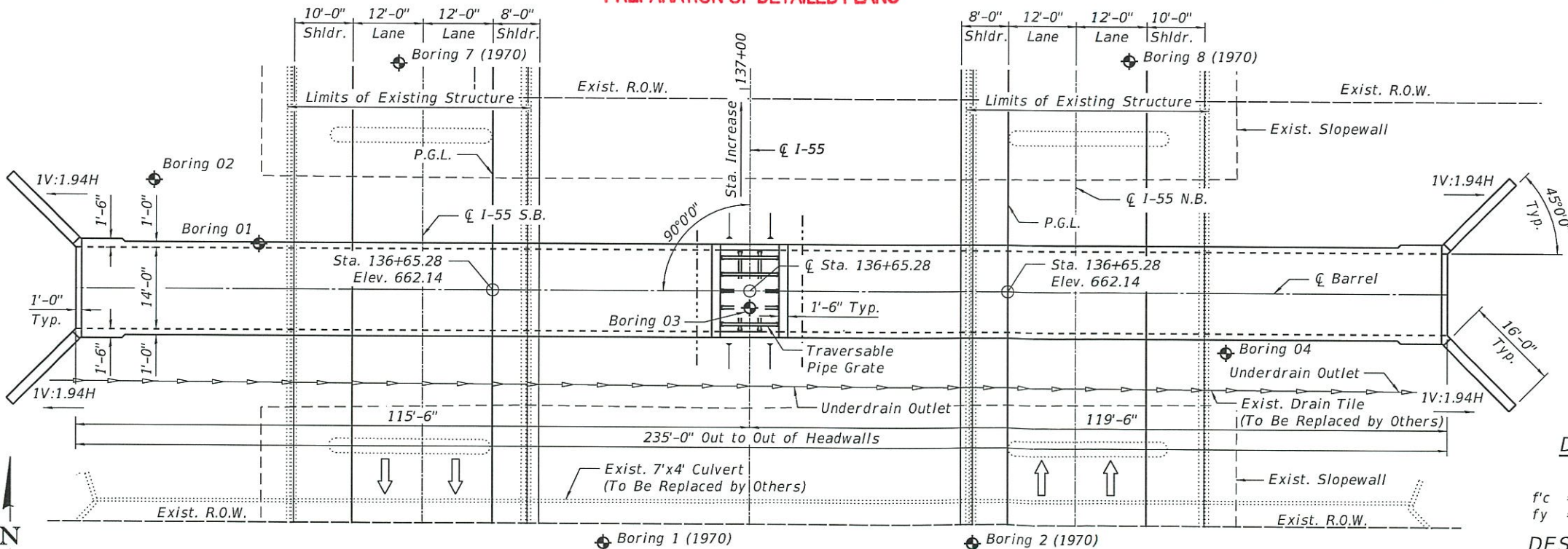
APPROVED

NOV 14 2017

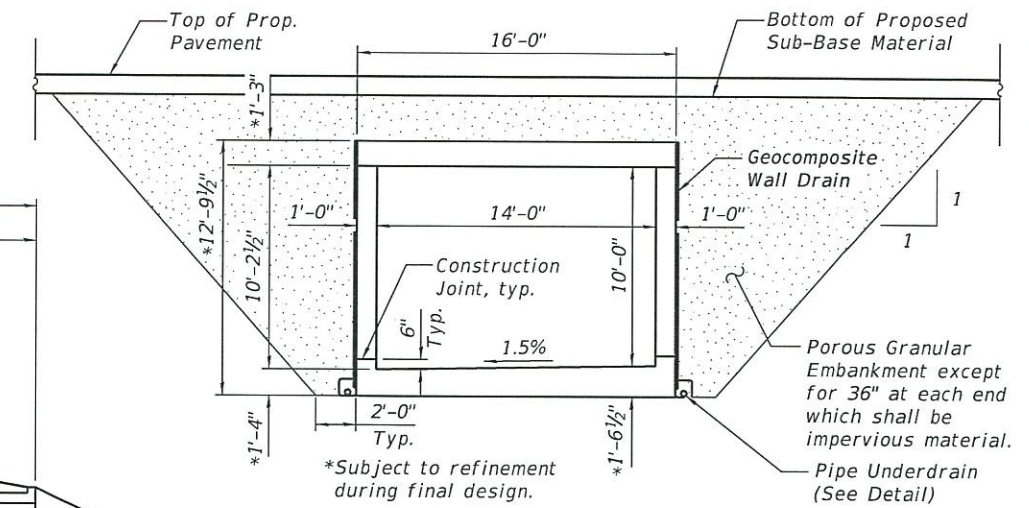
AS A BASIS FOR
PREPARATION OF DETAILED PLANS

HIGHWAY CLASSIFICATION

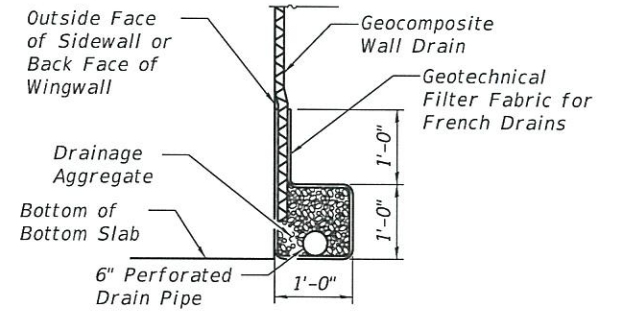
F.A.I. Route 55 (I-55)
Functional Class: Interstate
ADT: 22,973 (2019), 27,300 (2039)
DHV: 2,184 (2039)
ADTT: 8,190 (2039)
Design Speed: 75 mph
Posted Speed: 70 mph
Two-Way Traffic
Directional Distribution 50:50



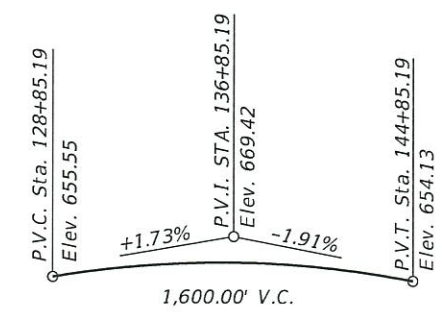
PLAN



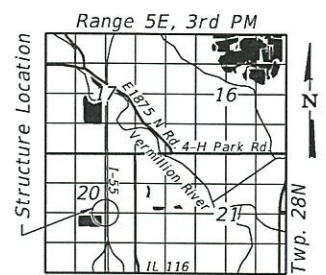
SECTION THRU BARREL
(Looking West)



PIPE UNDERDRAIN DETAIL



PROFILE GRADE
(Along inside E.O.P.)



LOCATION SKETCH

DESIGN STRESSES

FIELD UNITS
f'c = 3,500 psi
fy = 60,000 psi (reinforcement)

DESIGN SPECIFICATIONS

2014 AASHTO LRFD Bridge Design Specifications
7th Edition with 2015 & 2016 interims

LOADING HL-93

Allow 50#/sq. ft. for Future Wearing Surface

GENERAL PLAN AND ELEVATION

I-55 OVER ABANDONED R.R.
F.A.I. 55 SEC. (53-5)R&I
LIVINGSTON COUNTY
STATION 136+65.28
S.N. 053-2582



| | |
|----------------|-----------|
| DESIGNED - VPT | REVISOR - |
| CHECKED - MTH | REVISOR - |
| DRAWN - CGY | REVISOR - |
| CHECKED - VPT | REVISOR - |

| | |
|----------------|-----------|
| DESIGNED - VPT | REVISOR - |
| CHECKED - MTH | REVISOR - |
| DRAWN - CGY | REVISOR - |
| CHECKED - VPT | REVISOR - |

STATE OF ILLINOIS
DEPARTMENT OF TRANSPORTATION

| F.A.I. RTE. | SECTION | COUNTY | TOTAL SHEETS | SHEET NO. |
|-------------|-----------|------------|--------------|--------------------|
| 55 | (53-5)R&I | LIVINGSTON | | |
| | | | | CONTRACT NO. 66B64 |

ILLINOIS FED. AID PROJECT