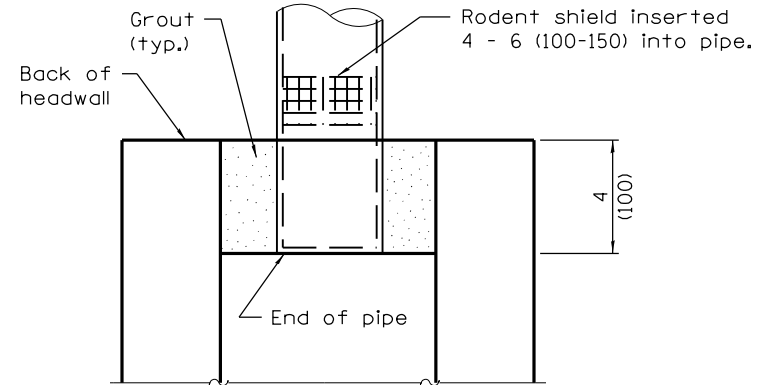
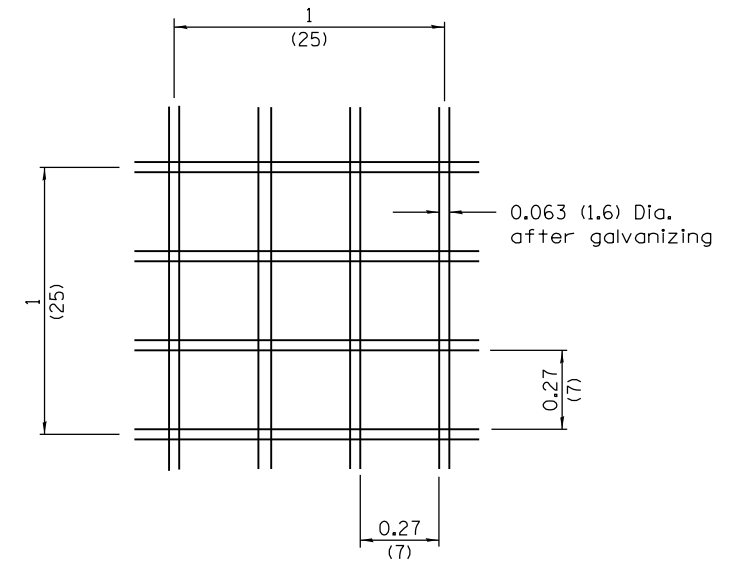


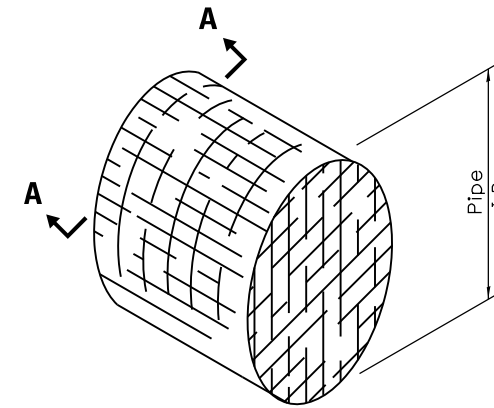
FRONT VIEW



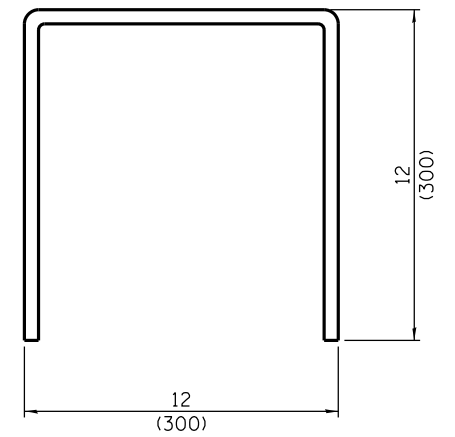
RODENT SHIELD PLACEMENT



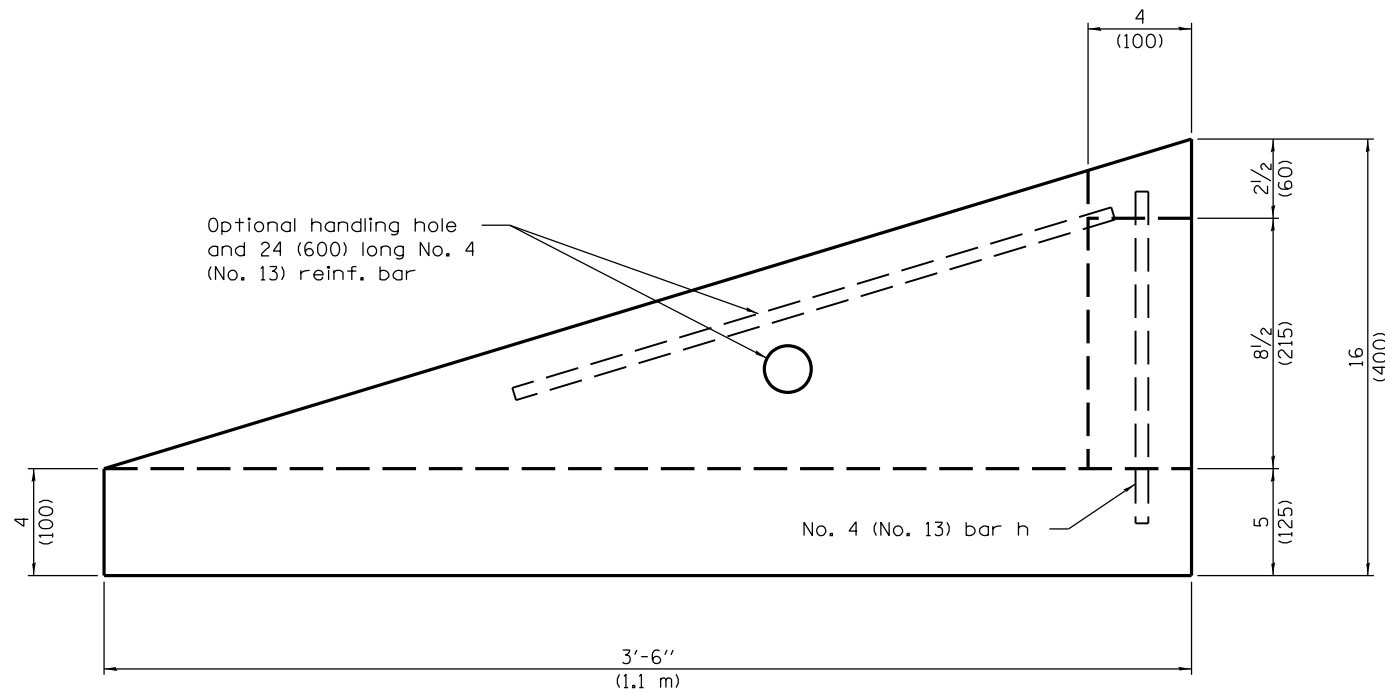
SECTION A-A



DETAIL OF RODENT SHIELD



BAR h



SIDE VIEW

GENERAL NOTES

An alternate paved invert meeting the approval of the Engineer may be substituted for that shown in side view.

All dimensions are in inches (millimeters) unless otherwise shown.

Illinois Department of Transportation

PASSED January 1, 2009

ENGINEER OF POLICY AND PROCEDURES

APPROVED January 1, 2009

ENGINEER OF DESIGN AND ENVIRONMENT

ISSUED 1-1-97

DATE	REVISIONS
1-1-09	Switched units to English (metric).
1-1-97	Renum. Standard 2362-4

CONCRETE HEADWALL FOR PIPE DRAIN

STANDARD 601101-01