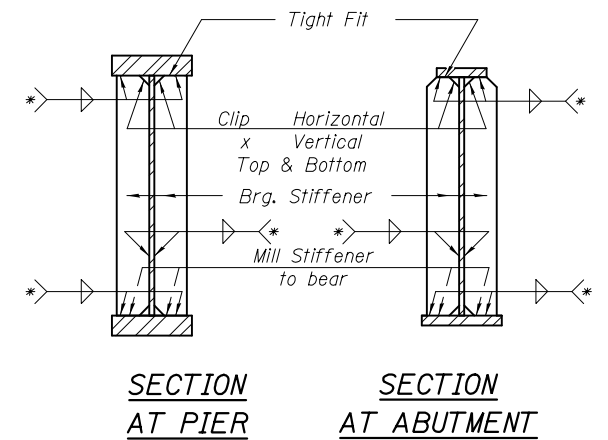
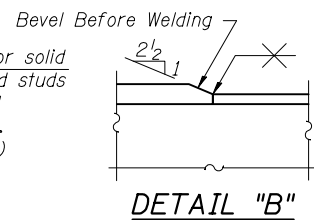
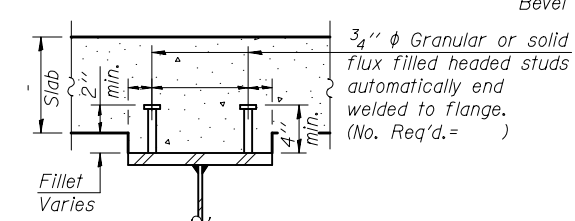
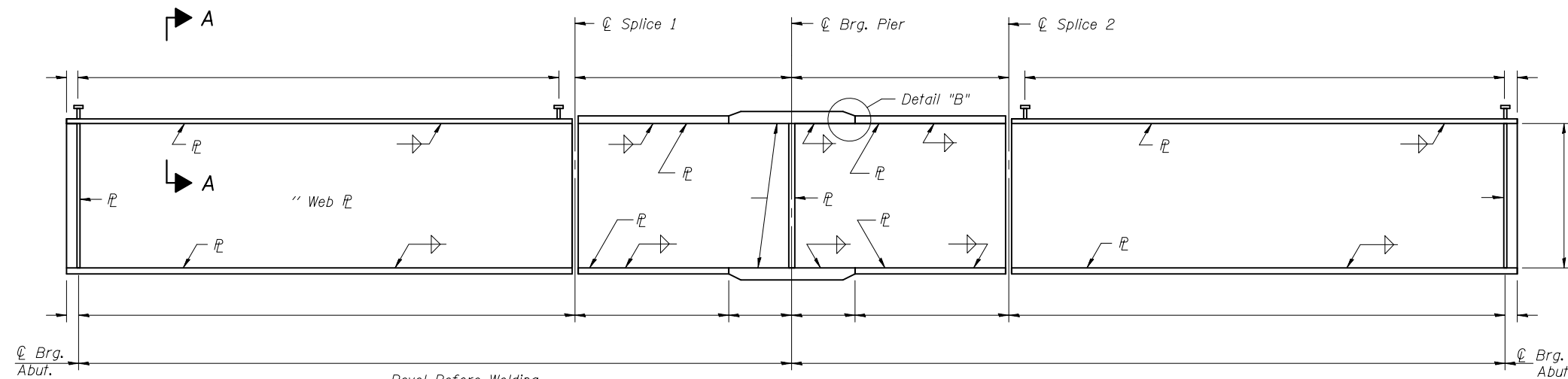


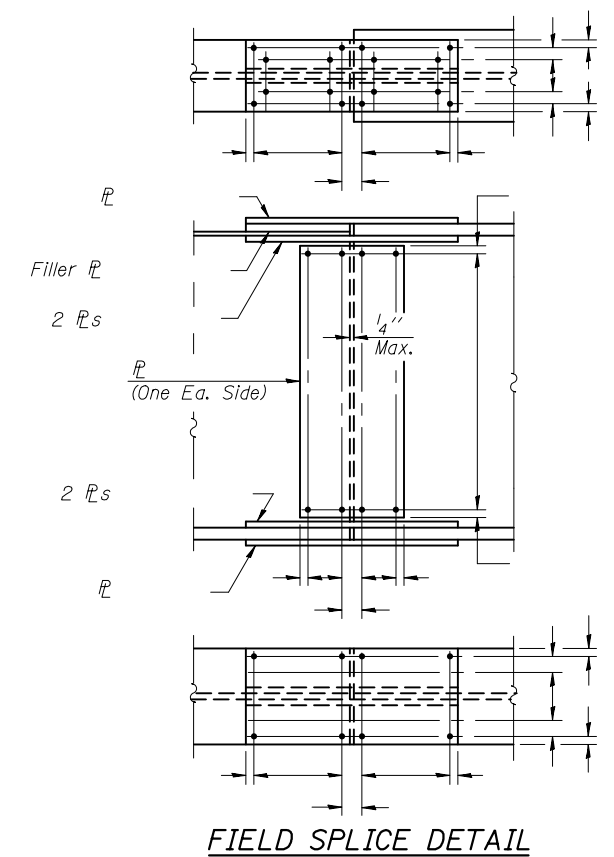
CELL / MODEL NAME	DESCRIPTION	DATE
G-1	Plate girder details	11/22/2016



\* Terminate 1/4" (± 1/8") from the end of plate intersects.



"CVN" denotes Charpy-V-Notch impact energy requirements, zone 2.



G-1

11-22-2016

FILE NAME =	USER NAME =	DESIGNED -	REVISED -
		CHECKED -	REVISED -
	PLOT SCALE =	DRAWN -	REVISED -
	PLOT DATE =	CHECKED -	REVISED -

**STATE OF ILLINOIS  
DEPARTMENT OF TRANSPORTATION**

**STRUCTURAL STEEL  
STRUCTURE NO.**

F.A. RTE.	SECTION	COUNTY	TOTAL SHEETS	SHEET NO.
CONTRACT NO.				
ILLINOIS FED. AID PROJECT				