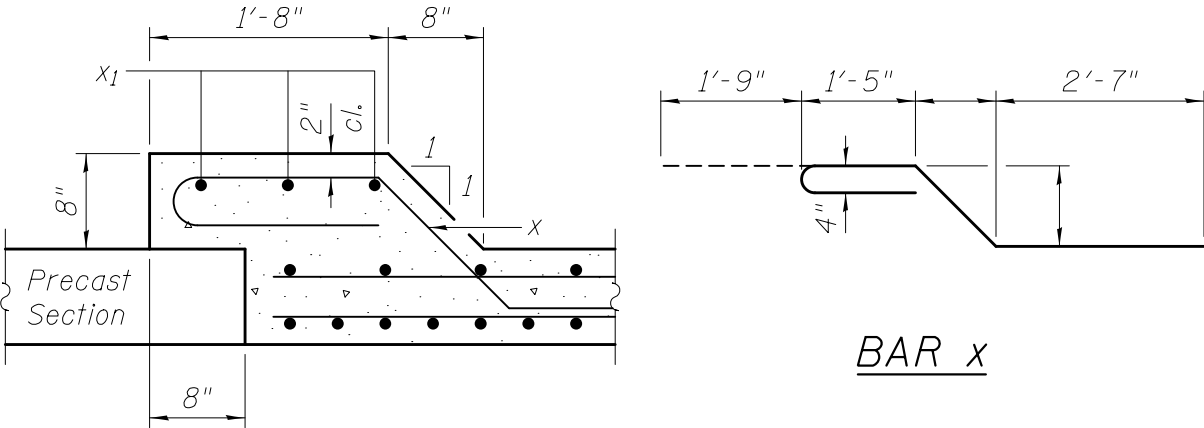


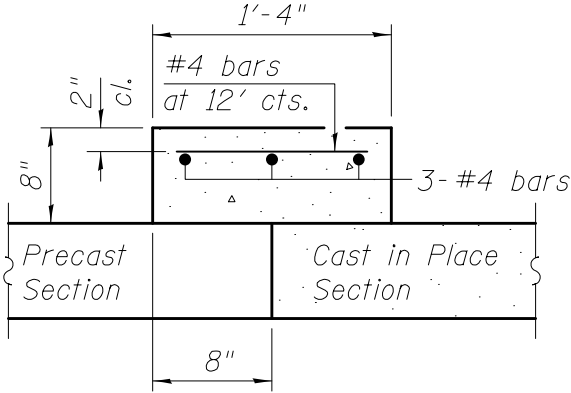
CELL / MODEL NAME	DESCRIPTION	DATE
PC_TO_CIP_CONN	Precast to Cast-in-Place Box Culvert Connection Collar	10/15/2016
DCB-XS-TSA-SB	2 rows of reinf in top slab; 1 row of reinf in each wall; Double Cell Box Culvert Cross Section	10/15/2016
DCB-XS-TSA-SC	2 rows of reinf in top slab; 2 rows of reinf in each wall; Double Cell Box Culvert Cross Section	10/15/2016
PHOEBE_NEST_DETAIL	Phoebe Nesting Site Detail	10/15/2016
SETTLEMENT_COLLAR	Box Culvert Settlement Collar Details	10/15/2016
TCB-XS-TSA-SB	2 rows of reinf in top slab; 1 row of reinf in each wall; Triple Cell Box Culvert Cross Section	10/15/2016
TCB-XS-TSA-SC	2 rows of reinf in top slab; 2 rows of reinf in each wall; Triple Cell Box Culvert Cross Section	10/15/2016
Drain_Detail	Top Slab Drain Detail for Cast-in-Place Box Culverts	10/15/2016

Cell Name: PC_TO_CIP_CONN

Descrip: Precast to Cast-in-Place Box Culvert Connection Collar



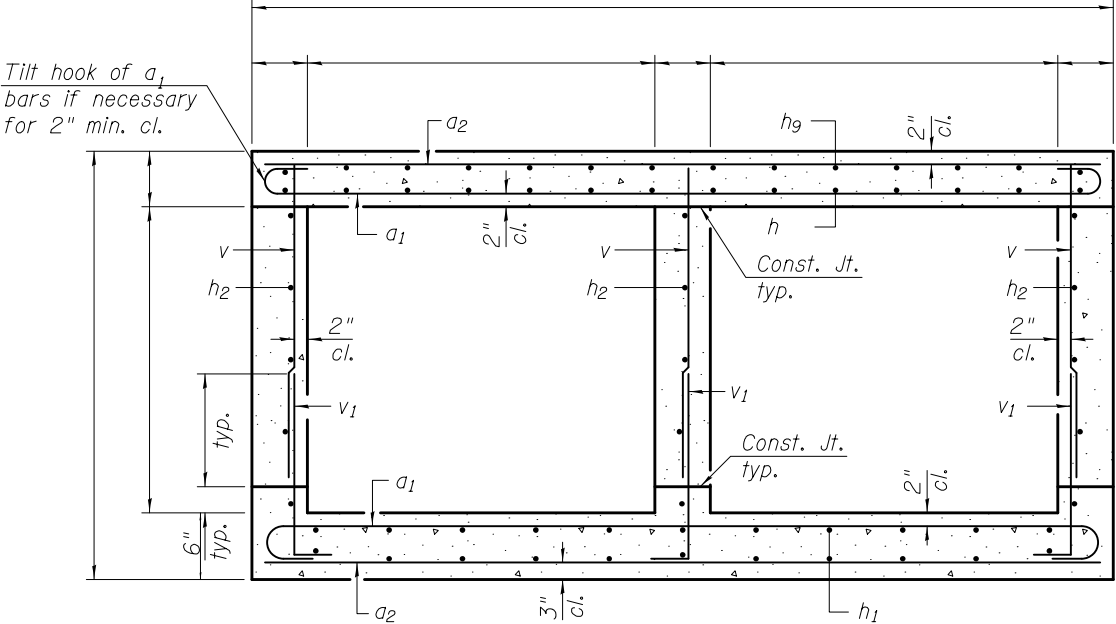
SECTION THRU CONNECTION COLLAR



ALTERNATE SECTION THRU CONNECTION COLLAR

Cell Name: DCB-XS-TSA-SB

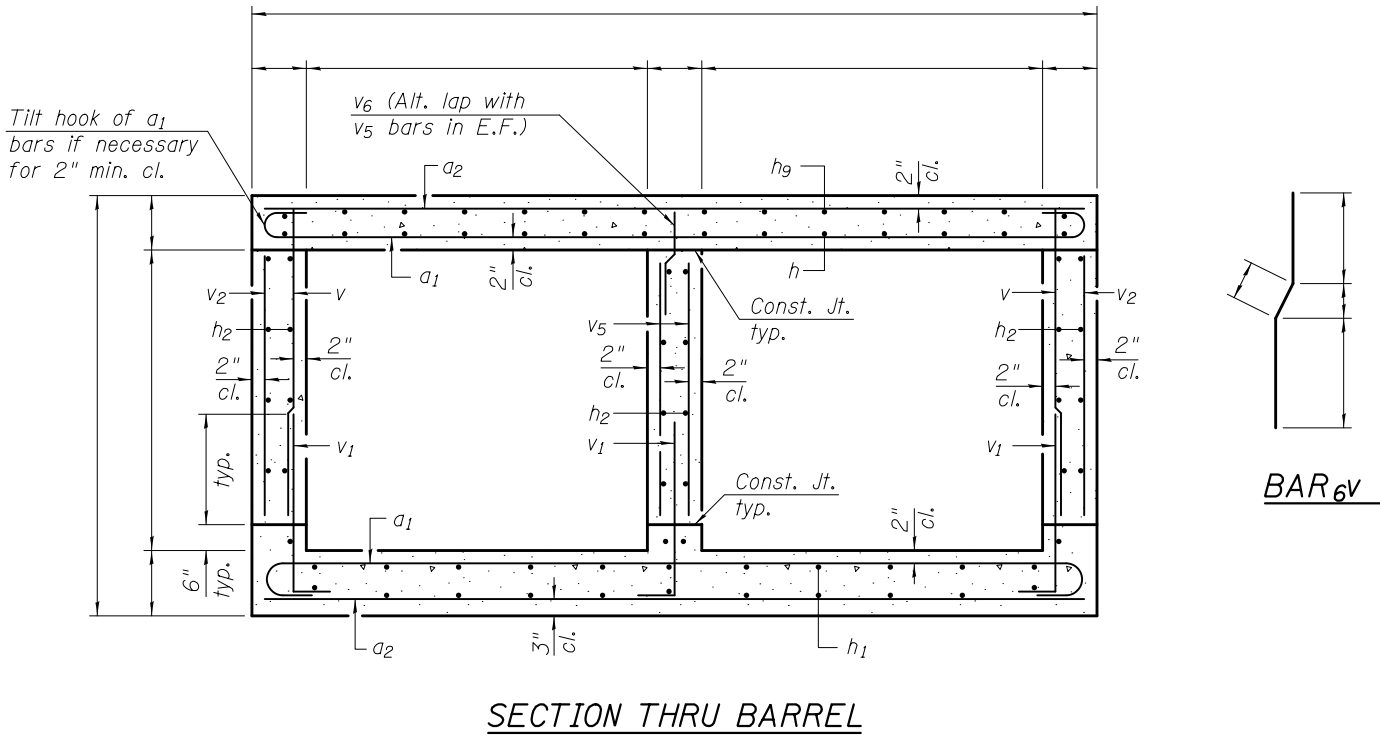
Descrip: 2 rows of reinf in top slab; 1 row of reinf in each wall; Double Cell Box Culvert Cross Section



SECTION THRU BARREL

Cell Name: DCB-XS-TSA-SC

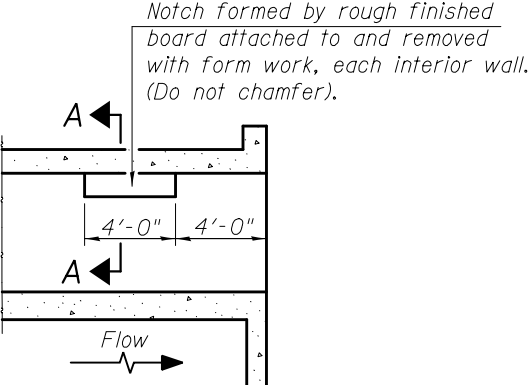
Descrip: 2 rows of reinf in top slab; 2 rows of reinf in each wall; Double Cell Box Culvert Cross Section



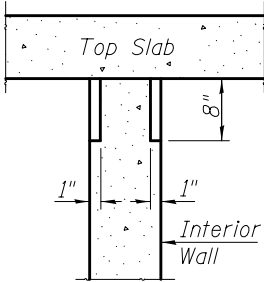
SECTION THRU BARREL

Cell Name: PHOEBE_NEST_DETAIL

Descrip: Phoebe Nesting Site Detail



LONGITUDINAL SECTION

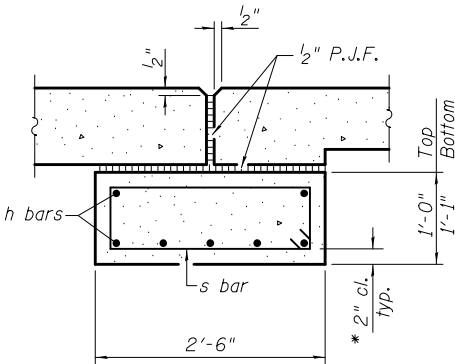


SECTION A-A

PHOEBE NESTING
SITE DETAILS
(Downstream End Only)

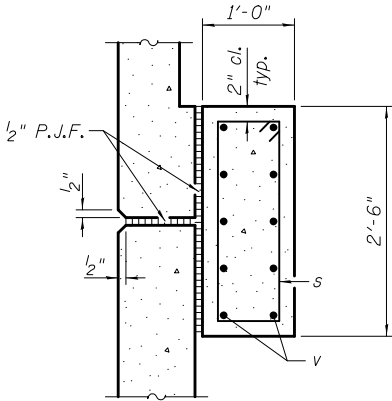
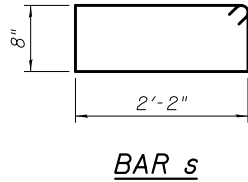
Cell Name: SETTLEMENT_COLLAR

Descrip: Box Culvert Settlement Collar Details



* Provide 3" cl. at the base of the bottom slab collar.

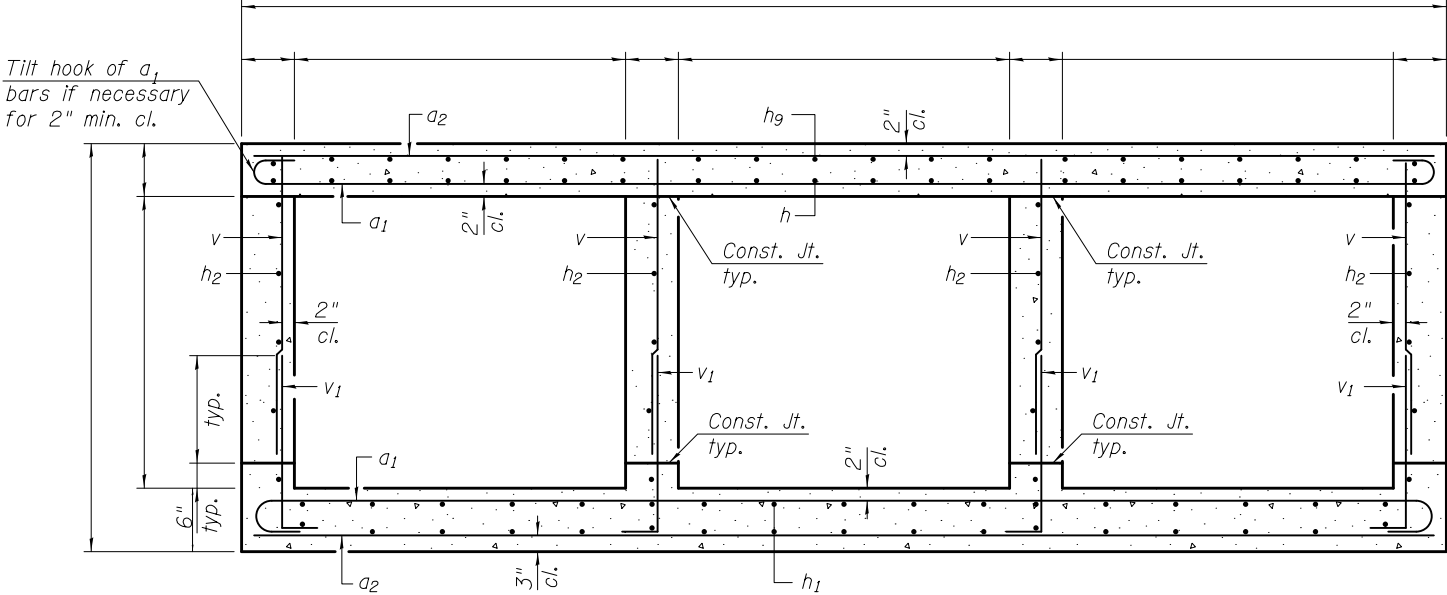
SECTION THRU TOP AND BOTTOM SLAB



SECTION THRU SIDEWALL

Cell Name: TCB-XS-TSA-SB

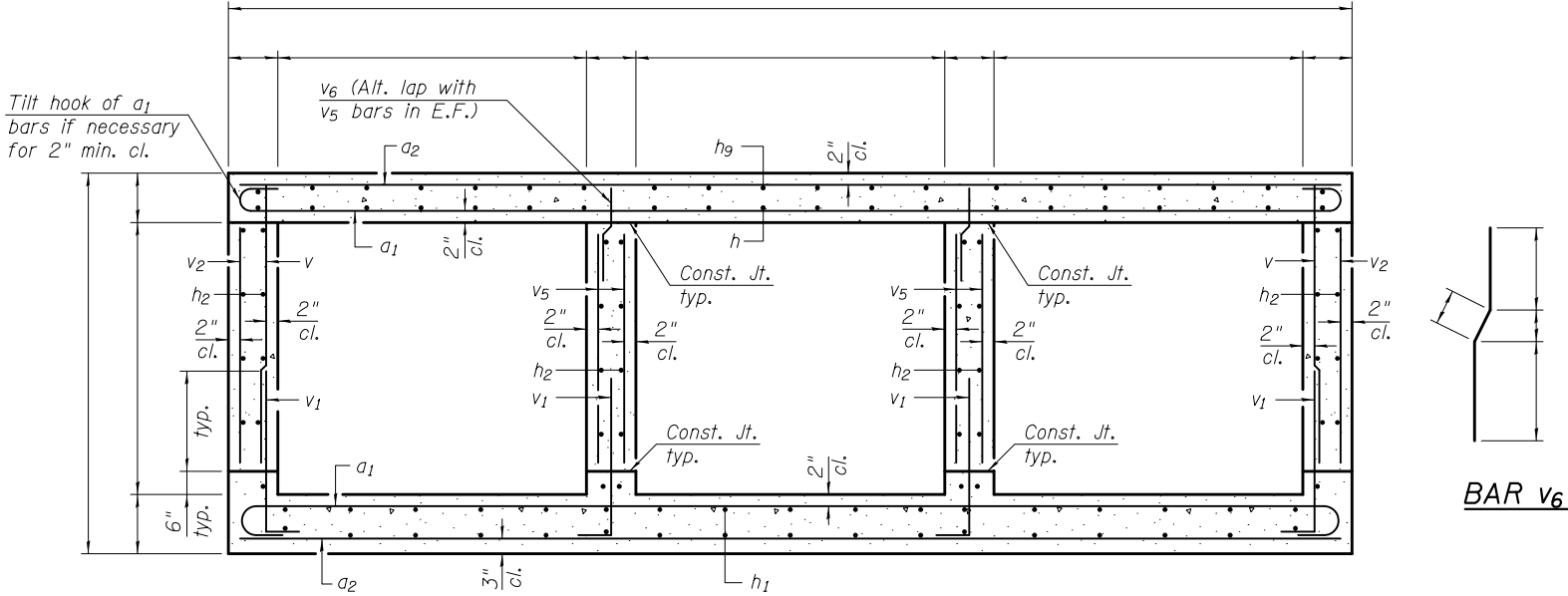
Descrip: 2 rows of reinf in top slab; 1 row of reinf in each wall; Triple Cell Box Culvert Cross Section



SECTION THRU BARREL

Cell Name: TCB-XS-TSA-SC

Descrip: 2 rows of reinf in top slab; 2 rows of reinf in each wall; Triple Cell Box Culvert Cross Section

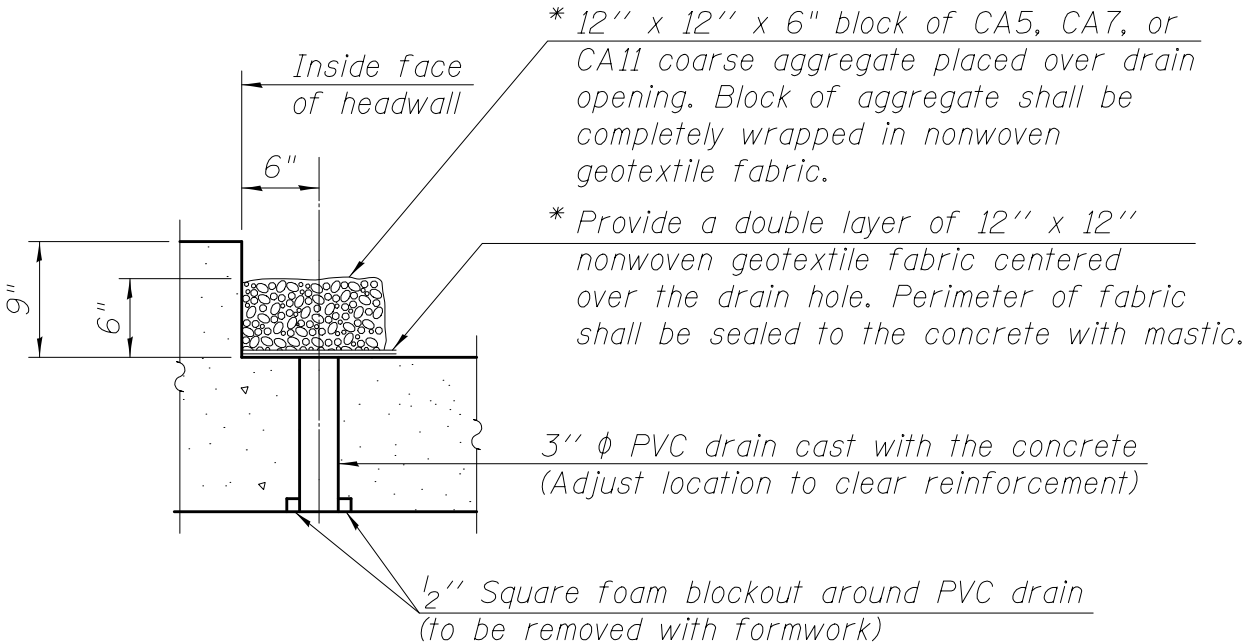


SECTION THRU BARREL

Cell Name: Drain_Detail

Descrip: Top Slab Drain Detail for Cast-in-Place Box Culverts

* Nonwoven geotextile fabric shall conform to the requirements of Article 1080.01 of the Standard Specifications. The minimum weight of the fabric shall be 6 ounces per square yard.



DRAIN DETAIL

(All costs associated with furnishing and constructing the above drain detail will not be measured for payment but shall be included in the contract unit price for the associated work.)