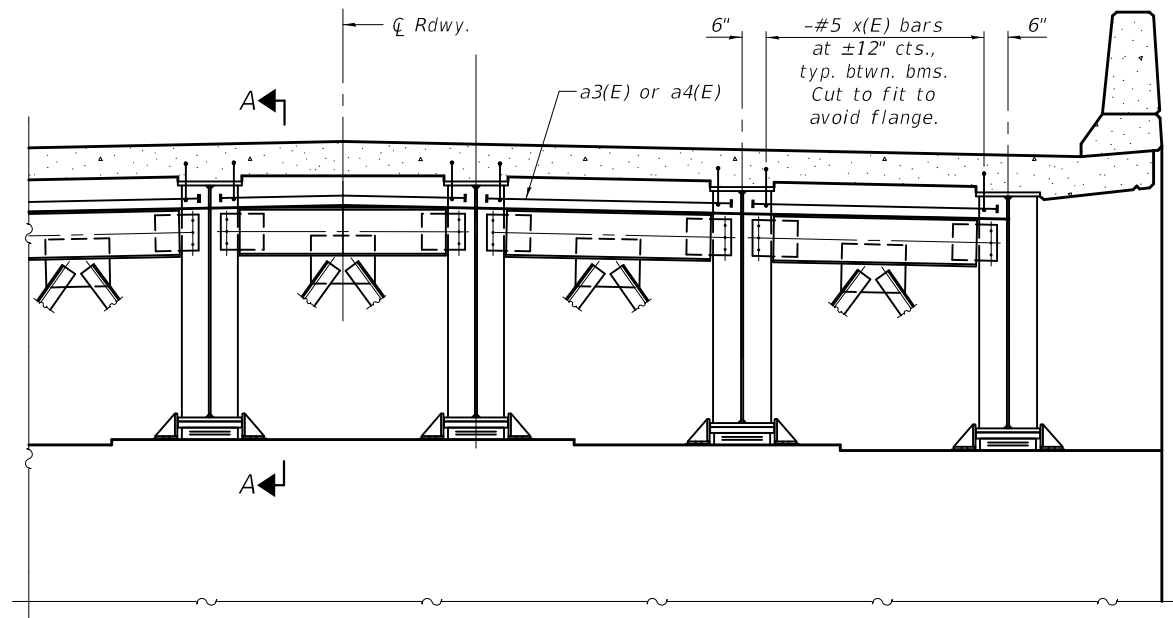
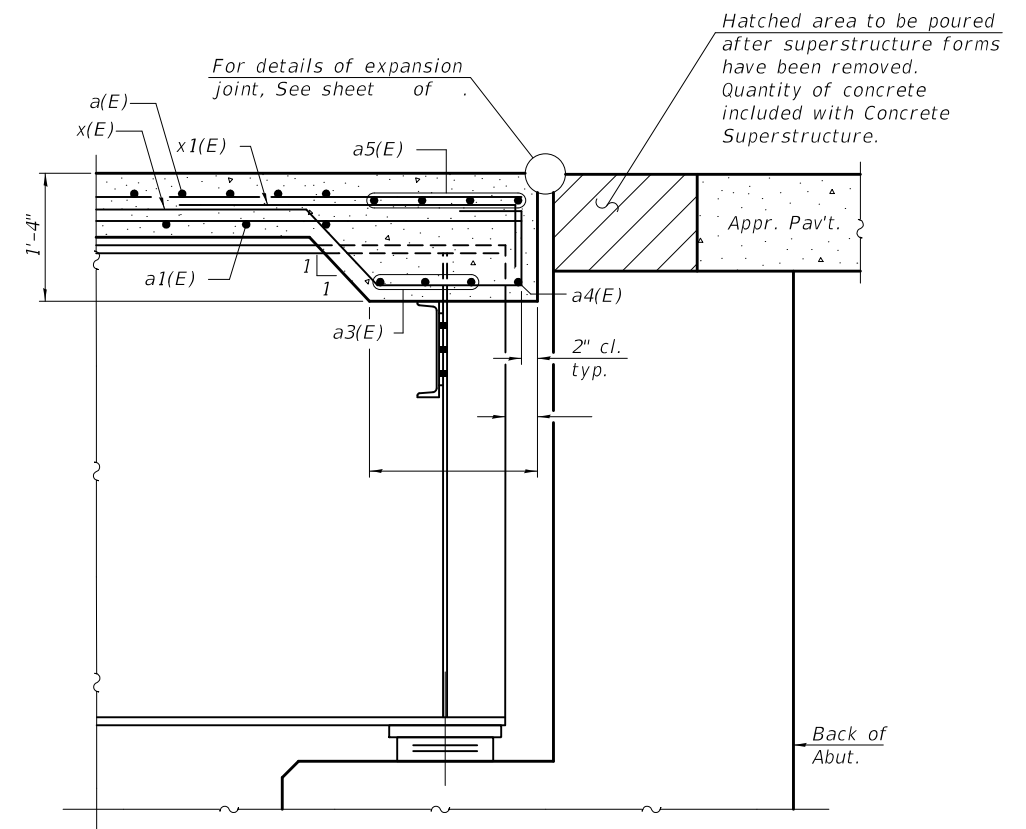


CELL / MODEL NAME	DESCRIPTION	DATE
DEA-SB-Greater than 48-0	Diaphragm Expansion Abutment; Steel beam Greater than 48 inch beam depth; No skew	2/17/2017
DEA-SB-Greater than 48-LR	Diaphragm Expansion Abutment; Steel beam Greater than 48 inch beam depth; L/R skew	2/17/2017
DEA-SB2448-0	Diaphragm Expansion Abutment; Steel beam 24-48 inch beam depth; No skew	2/17/2017
DEA-SB2448-LR	Diaphragm Expansion Abutment; Steel beam 24-48 inch beam depth; L/R skew	2/17/2017



DIAPHRAGM AT ABUTMENT
 (Full cross frame not shown for clarity)



SECTION A-A

Notes:
 Reinforcement bars in diaphragm are billed with superstructure on sheet of .
 Concrete in diaphragm is included with Concrete Superstructure on sheet of .
 For details of bars x(E) and x1(E) see sheet of .

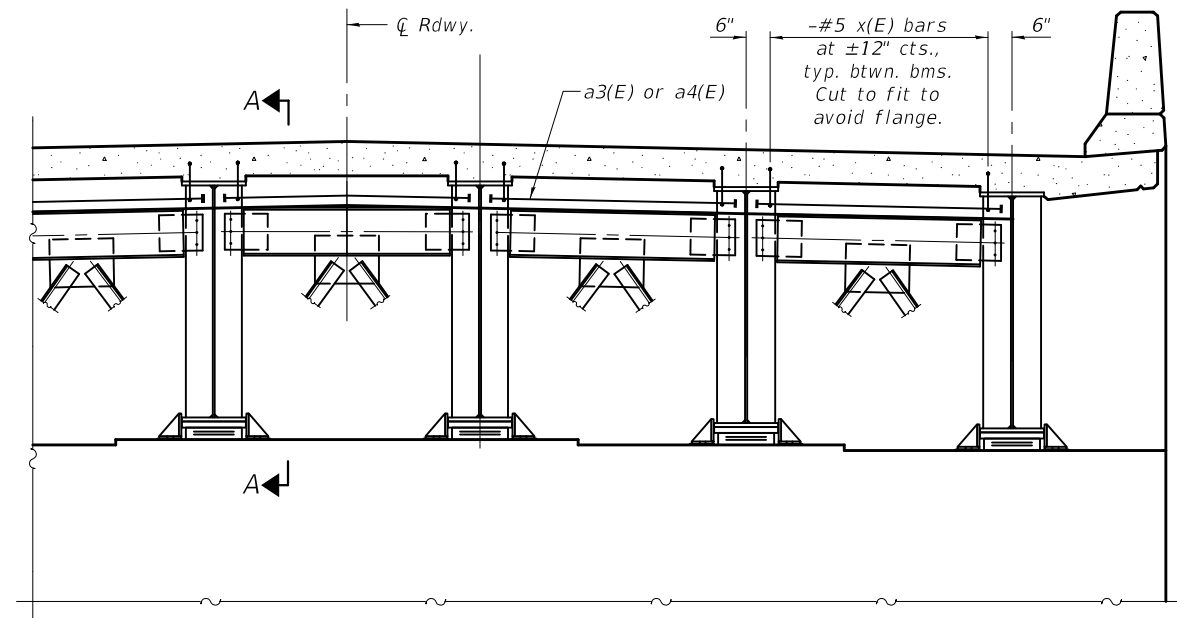
DEA-SB>48-0 2-17-2017

FILE NAME =	USER NAME =	DESIGNED -	REVISED -
		CHECKED -	REVISED -
		DRAWN -	REVISED -
		CHECKED -	REVISED -

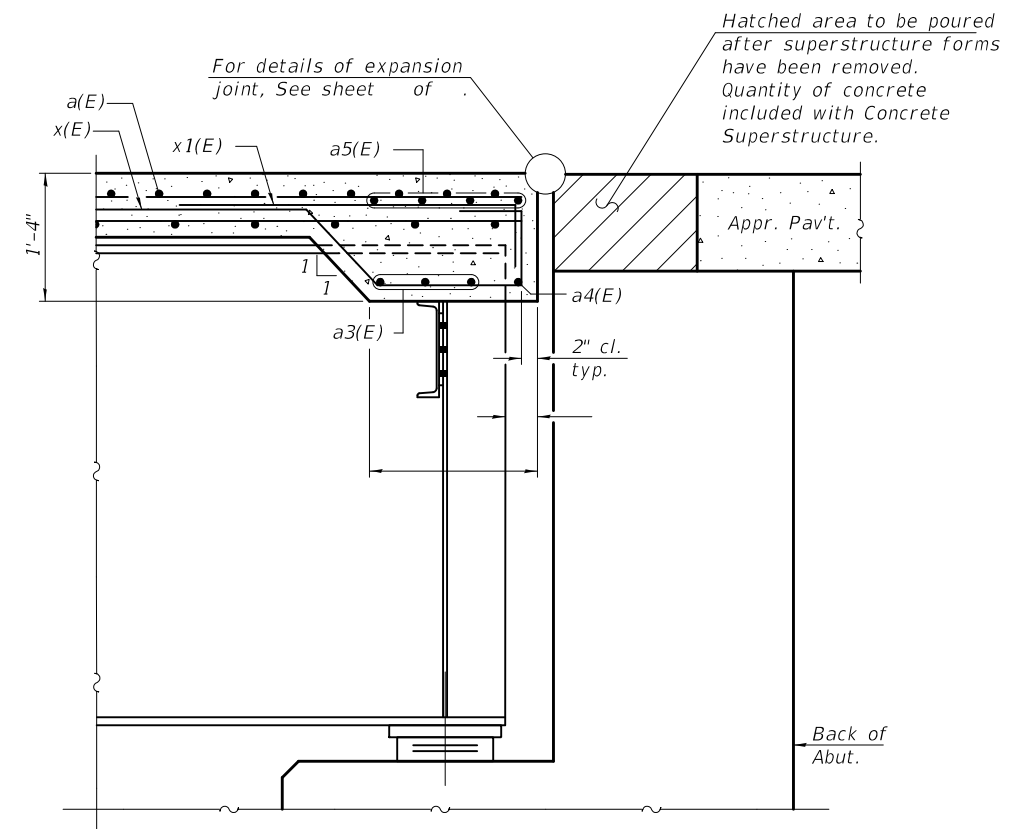
STATE OF ILLINOIS
DEPARTMENT OF TRANSPORTATION

DIAPHRAGM DETAILS
STRUCTURE NO.

F.A. RTE.	SECTION	COUNTY	TOTAL SHEETS	SHEET NO.
CONTRACT NO.				
ILLINOIS FED. AID PROJECT				



DIAPHRAGM AT ABUTMENT
 (Full cross frame not shown for clarity)



SECTION A-A
 (at Rt. L's)

Notes:
 Reinforcement bars in diaphragm are billed with superstructure on sheet of .
 Concrete in diaphragm is included with Concrete Superstructure on sheet of .
 The x(E) bars shall be placed parallel to the beams. Spacing for these bars shall be at right angles to the beams.
 For details of bars x(E) and x1(E) see sheet of .

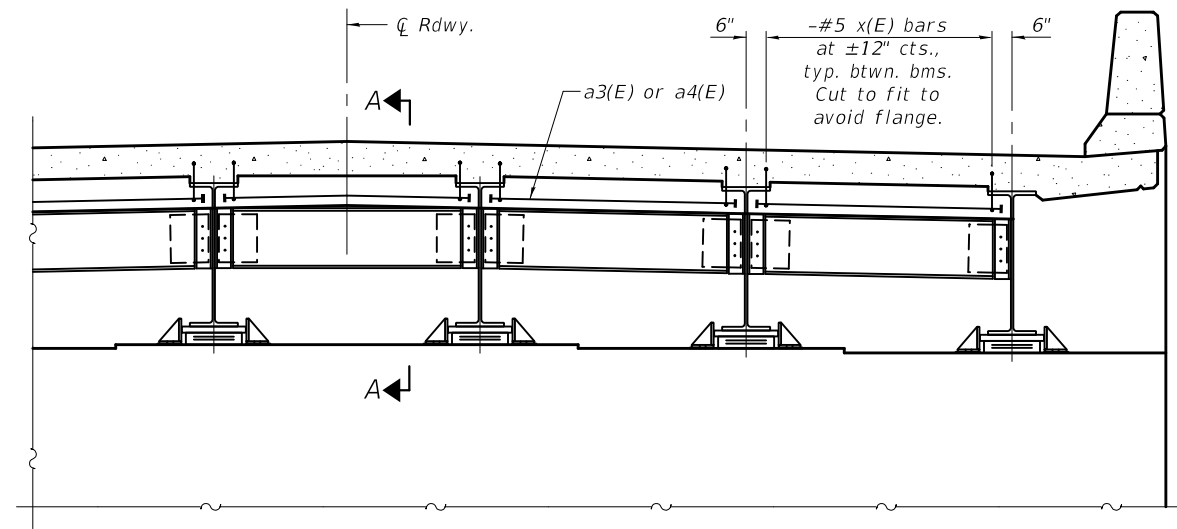
DEA-SB>48-LR 2-17-2017

FILE NAME =	USER NAME =	DESIGNED -	REVISED -
		CHECKED -	REVISED -
		DRAWN -	REVISED -
		CHECKED -	REVISED -

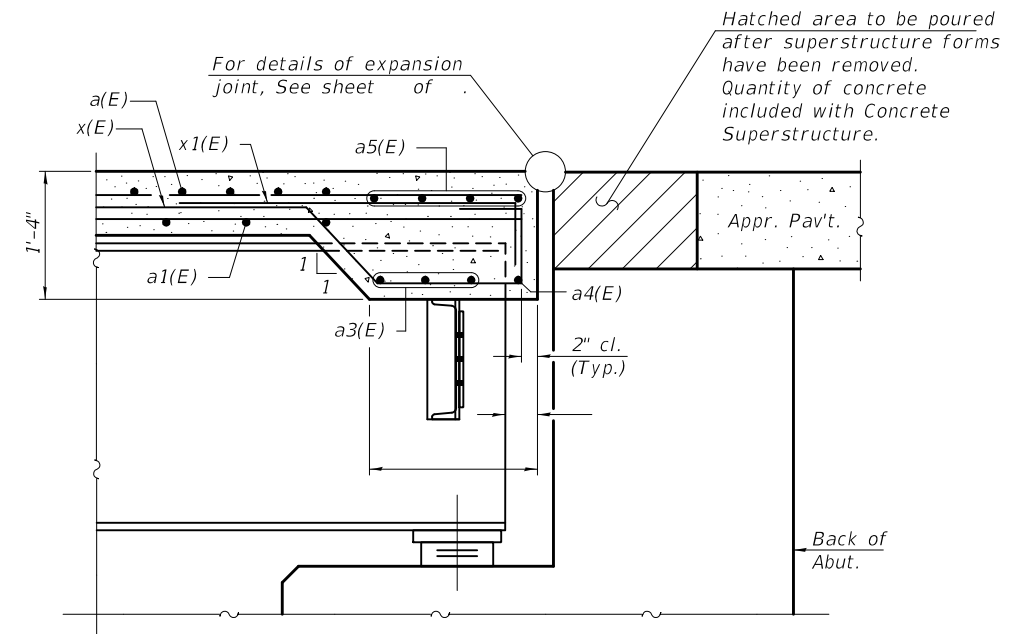
STATE OF ILLINOIS
DEPARTMENT OF TRANSPORTATION

DIAPHRAGM DETAILS
STRUCTURE NO.

F.A. RTE.	SECTION	COUNTY	TOTAL SHEETS	SHEET NO.
CONTRACT NO.				
ILLINOIS FED. AID PROJECT				



DIAPHRAGM AT ABUTMENT



SECTION A-A

Notes:
 Reinforcement bars in diaphragm are billed with superstructure on sheet of .
 Concrete in diaphragm is included with Concrete Superstructure on sheet of .
 For details of bars x(E) and x1(E) see sheet of .

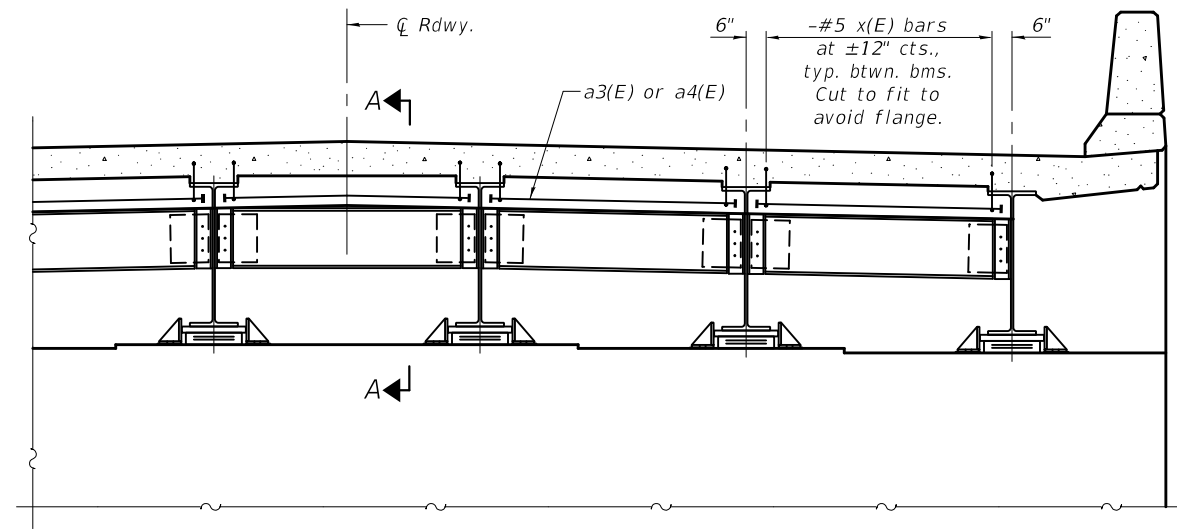
DEA-SB2448-0 2-17-2017

FILE NAME =	USER NAME =	DESIGNED -	REVISED -
		CHECKED -	REVISED -
		DRAWN -	REVISED -
		CHECKED -	REVISED -

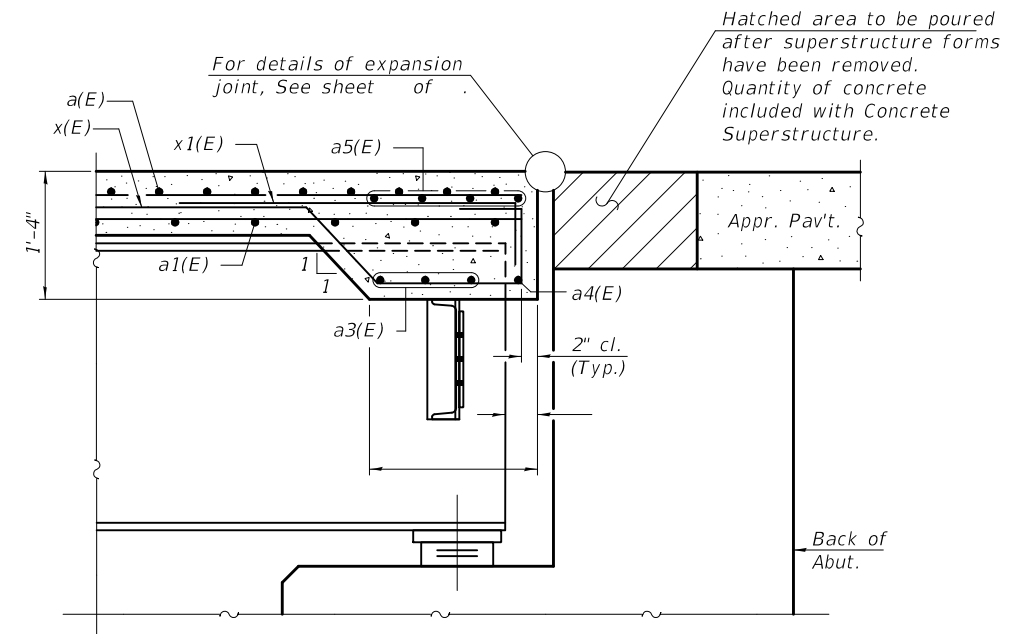
**STATE OF ILLINOIS
 DEPARTMENT OF TRANSPORTATION**

**DIAPHRAGM DETAILS
 STRUCTURE NO.**

F.A. RTE.	SECTION	COUNTY	TOTAL SHEETS	SHEET NO.
CONTRACT NO.				
ILLINOIS FED. AID PROJECT				



DIAPHRAGM AT ABUTMENT



SECTION A-A
(at Rt. L's)

Notes:
 Reinforcement bars in diaphragm are billed with superstructure on sheet of .
 Concrete in diaphragm is included with Concrete Superstructure on sheet of .
 The x(E) bars shall be placed parallel to the beams. Spacing for these bars shall be at right angles to the beams.
 For details of bars x(E) and x1(E) see sheet of .

DEA-SB2448-LR 2-17-2017

FILE NAME =	USER NAME =	DESIGNED -	REVISED -	STATE OF ILLINOIS DEPARTMENT OF TRANSPORTATION	DIAPHRAGM DETAILS STRUCTURE NO.	F.A. RTE.	SECTION	COUNTY	TOTAL SHEETS	SHEET NO.	
	PLOT SCALE =	CHECKED -	REVISED -			CONTRACT NO.					
	PLOT DATE =	DRAWN -	REVISED -			ILLINOIS FED. AID PROJECT					
		CHECKED -	REVISED -								