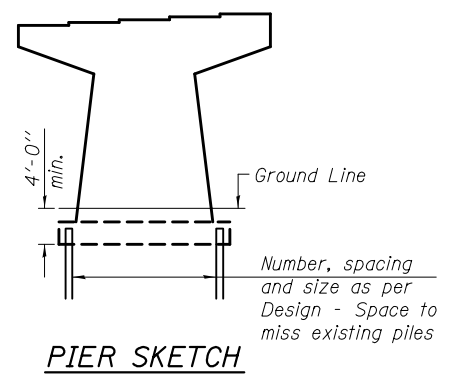
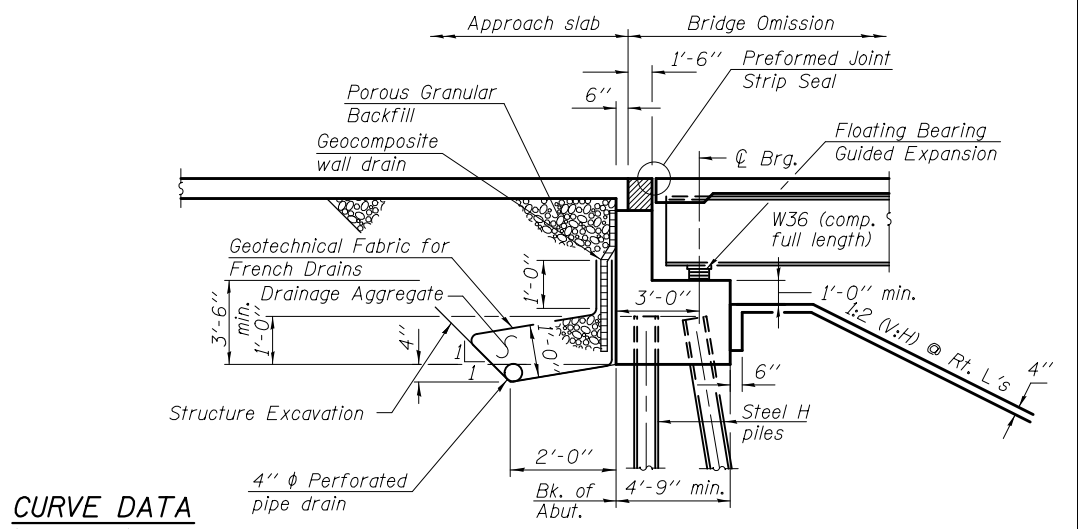
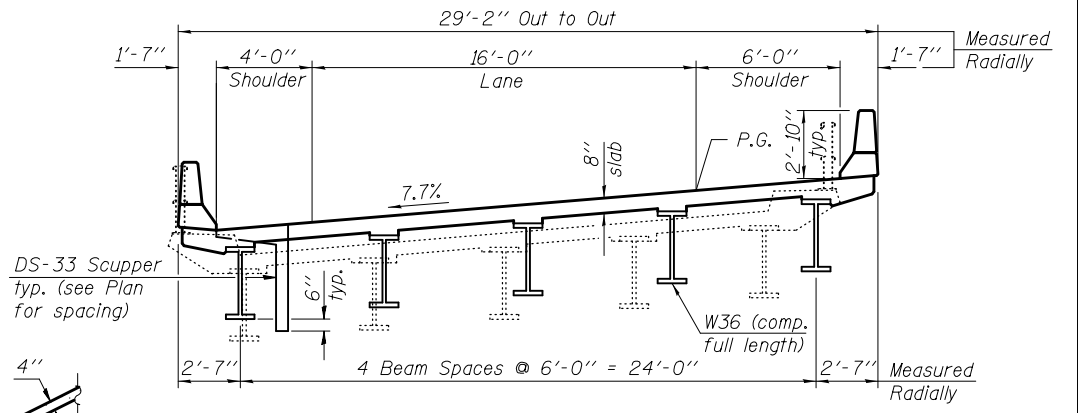
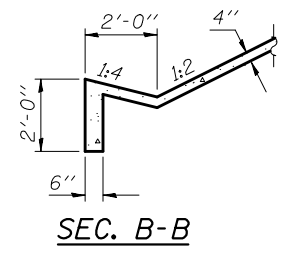
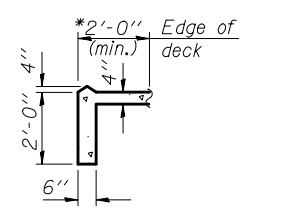
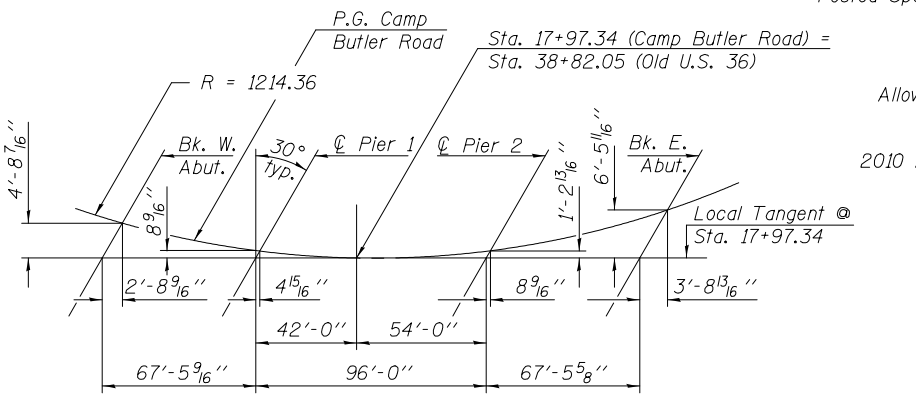
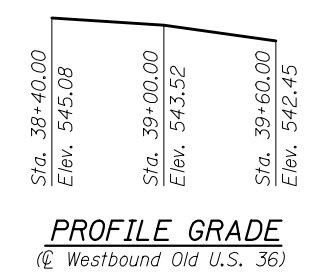
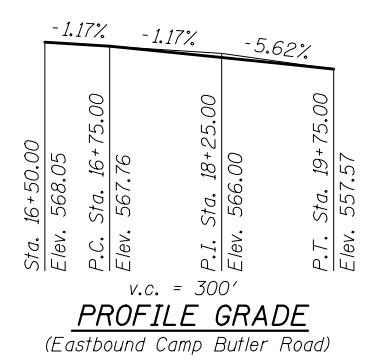
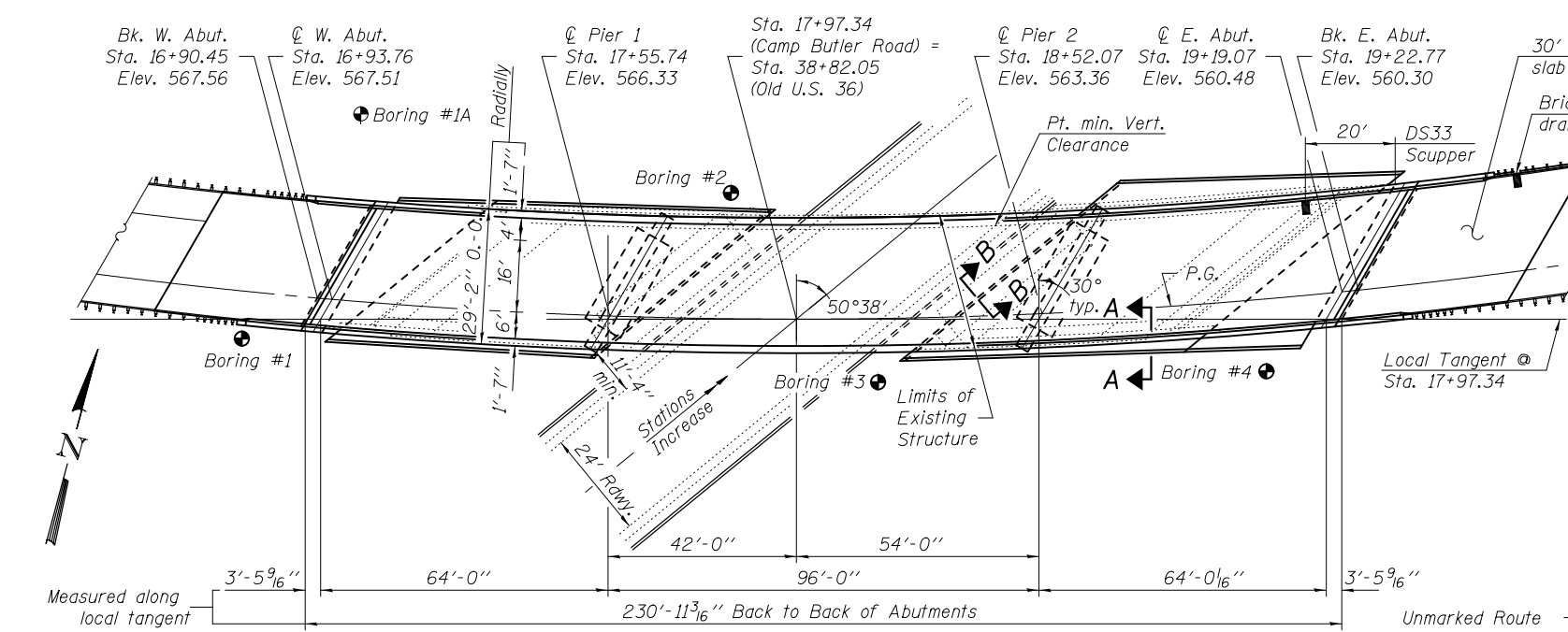
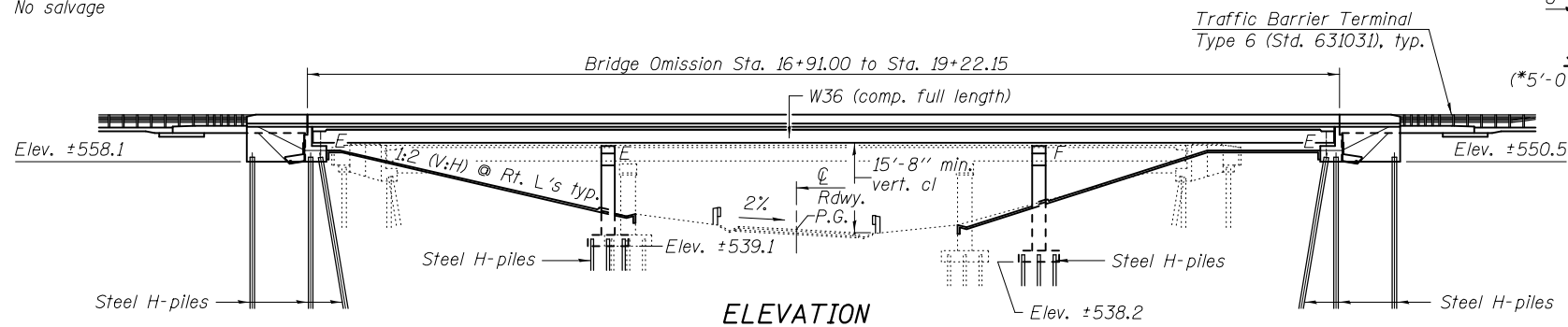


Bench Mark: Chiseled square on headwall of 2'x2' box culvert along north side of Old U.S. 36 west bound lanes; approximately 200' east of existing structure. Elevation NAVD '88 = 539.66.

Existing Structure: S.N. 084-0086, originally built in 1958 as F.A. Route 49, Section 19X-2-HB-1. The existing structure consists of 3 simple span rolled steel beams placed on chords supported on pile bent abutments and 3 column piers on pile supported footings. The back to back abutment measures 180'-6" and the out to out of deck is 28'-0". The structure is to be removed and replaced. Traffic is to be detoured.

No salvage



CURVE DATA
(Camp Butler Road)
D = 46°01'00"
R = 1,214.36'
T = 515.67'
L = 975.30'
E = 104.95'
S.E. = .0771'
P.C. Sta. = 11+09.20
P.T. Sta. = 20+84.50

CURVE DATA
(Old U.S. 36)
D = 17°29'37"
R = 3,348.31'
T = 515.17'
L = 1,022.31'
E = 39.40'
S.E. = .0241'
P.C. Sta. = 35+34.20
P.T. Sta. = 45+56.51

HIGHWAY CLASSIFICATION

Unmarked Route - Camp Butler Road F.A.S. Rte. 631 - Westbound Old U.S. 36

Functional Class: Major Collector Functional Class: Minor Arterial

ADT: 4,200 (1998); 5,400 (2026) ADT: 4,900 (1998)

ADTT: 270 (2026)

Design Speed: 55 m.p.h. Design Speed: 55 m.p.h.

Posted Speed: 45 m.p.h. Posted Speed: 50 m.p.h.

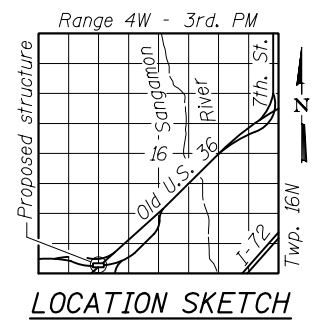
LOADING HL-93
Allow 50#/sq. ft. for future wearing surface.

DESIGN SPECIFICATIONS
2010 AASHTO LRFD Bridge Design Specifications

DESIGN STRESSES

FIELD UNITS
f_c = 3,500 psi
f_y = 60,000 psi (reinforcement)
f_y = 50,000 psi (M270 Grade 50)

SEISMIC DATA
Seismic Performance Zone (SPZ) = 2
Design Spectral Acceleration at 1.0 sec. (S_{D1}) = 0.115 g
Design Spectral Acceleration at 0.2 sec. (S_{D5}) = 0.228 g
Soil Site Class = C



GENERAL PLAN & ELEVATION
CAMP BUTLER ROAD OVER
WESTBOUND OLD U.S. ROUTE 36
F.A.S. RTE. 631
SEC. 3R(BR, BR-1, BR-2)19RS-8
SANGAMON COUNTY
STATION 17+97.34
STRUCTURE NO. 084-0518

FILE NAME =	USER NAME =	DESIGNED -	REVISD -	STATE OF ILLINOIS DEPARTMENT OF TRANSPORTATION	SHEET NO. 1 OF 1 SHEETS
		CHECKED -	REVISD -		
		DRAWN -	REVISD -		
		CHECKED -	REVISD -		
ILLINOIS FED. AID PROJECT					I-96-521-02