

**GENERAL NOTES**

See Standard 421001 for details of pavement reinforcement.

See Standards 420001 and 420401 for joint details not shown.

All dimensions are in inches (millimeters) unless otherwise shown.

DATE	REVISIONS
1-1-18	Changed tie bar spacing to 36 (900).
1-1-08	Switched units to English (metric). Revised Lug Sys. Table.

**36' (10.8 m)**  
**CRC PAVEMENT**  
(WITH LUG SYSTEM)

(Sheet 1 of 2)

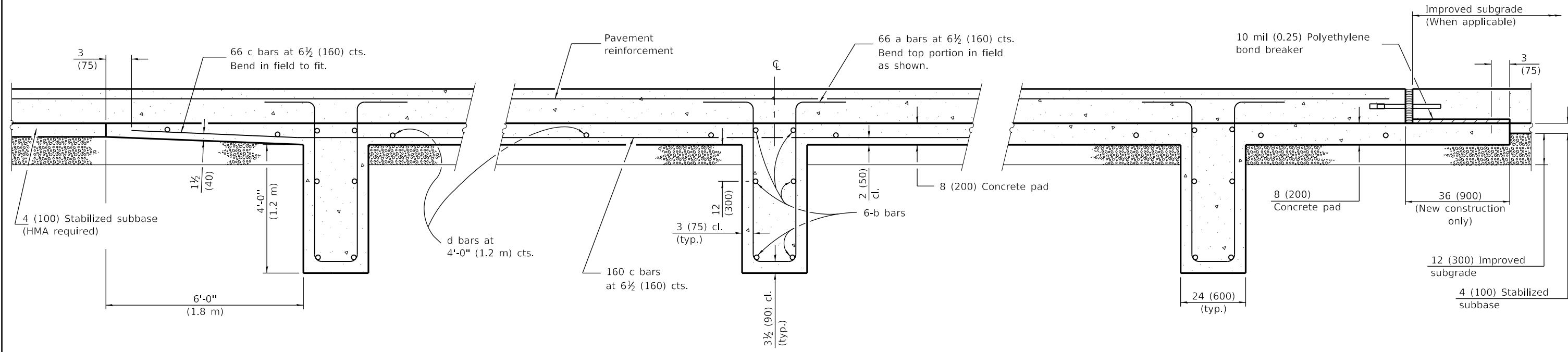
**STANDARD 421206-07**

Illinois Department of Transportation

PASSED January 1, 2018  
*Michael Beard*  
ENGINEER OF POLICY AND PROCEDURES

APPROVED January 1, 2018  
*Marcus M. Beck*  
ENGINEER OF DESIGN AND ENVIRONMENT

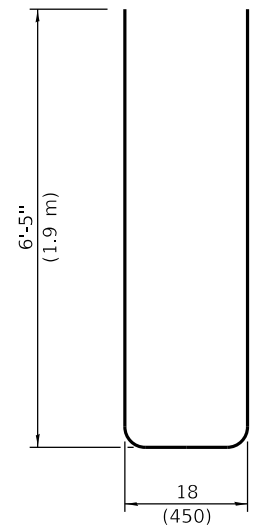
ISSUED 1-1-97



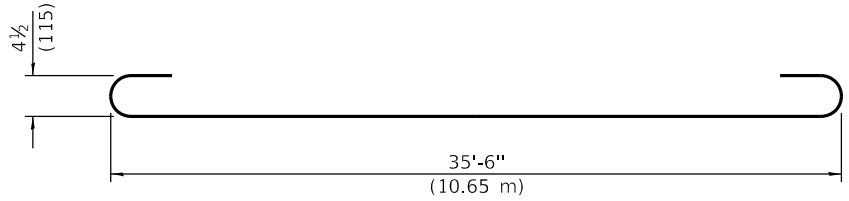
**SECTION AT LUG W**

**SECTION AT LUG X**

**SECTION AT LUG Y**



**BAR a**



**BAR b**

MATERIALS REQUIRED FOR (1) ONE LUG SYSTEM (Excluding Pavement Concrete and Pavement Reinforcement)				
Bar	No.	Size	Length	Shape
a	198	No. 8 (No. 25)	14'-0" (4.25 m)	
b	18	No. 5 (No. 16)	36'-9" (11.30 m)	
c	198	No. 5 (No. 16)	20'-0" (6.10 m)	
d	42	No. 4 (No. 13)	11'-9" (3.52 m)	
Concrete, cu. yds. (m³)			96.0 (73.4)	
Reinforcing Bars, lbs. (kg)			12,550 (5695)	
Concrete Pad, sq. yds. (m²)			216 (181)	
Improved Subgrade, sq. yds. (m²)			208 (174)	

Illinois Department of Transportation

PASSED January 1, 2018  
*Michael Beard*  
 ENGINEER OF POLICY AND PROCEDURES

APPROVED January 1, 2018  
*Maureen M. Adams*  
 ENGINEER OF DESIGN AND ENVIRONMENT

ISSUED 1-1-97

**36' (10.8 m)**  
**CRC PAVEMENT**  
 (WITH LUG SYSTEM) (Sheet 2 of 2)

**STANDARD 421206-07**