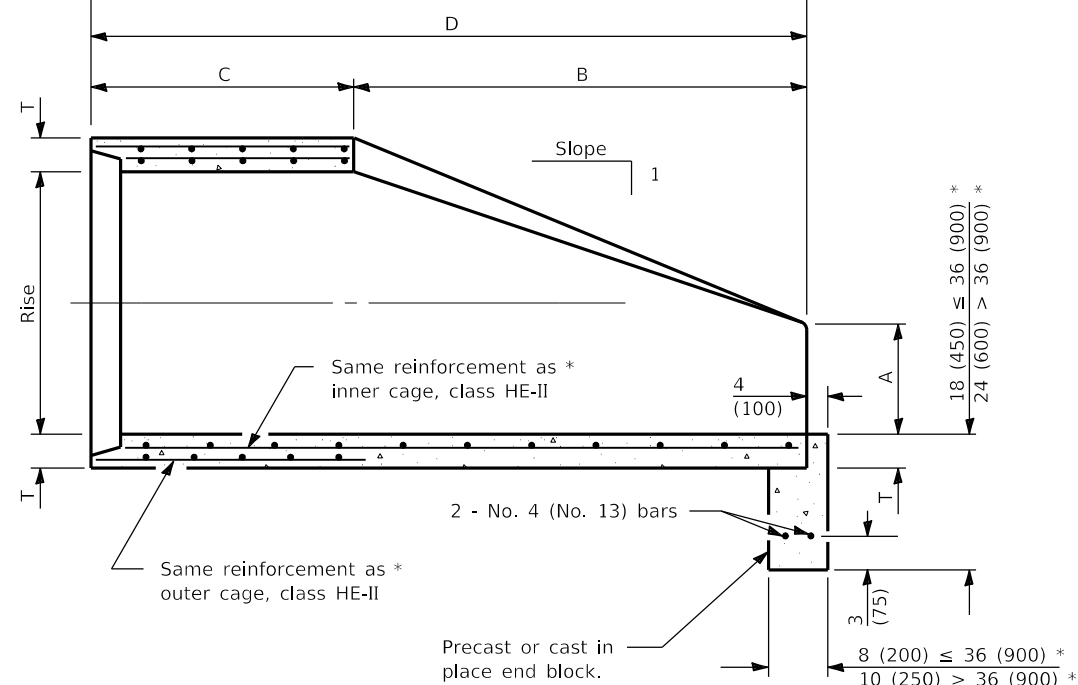


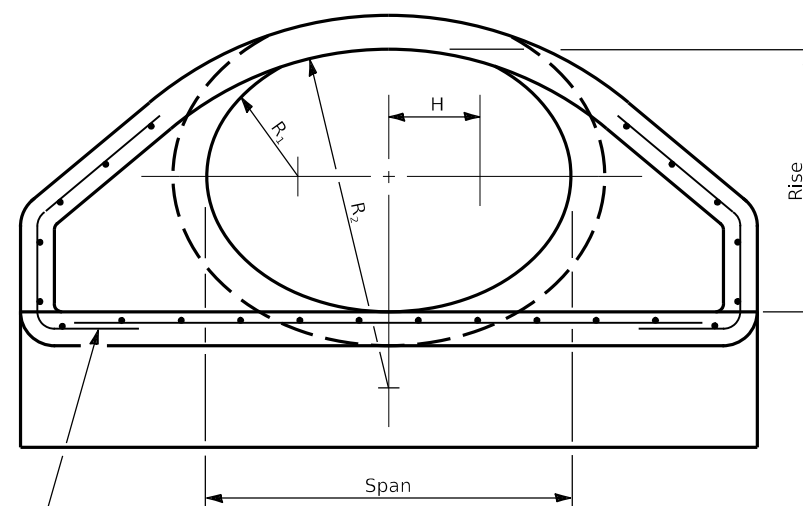
PLAN



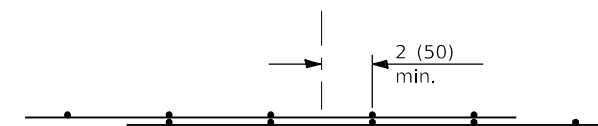
SECTION A-A

* Refers to the equivalent pipe diameter.

SPAN	RISE	EQUIV. DIA.	WALL T	A	B	C	D	E	H	R	R ₁	R ₂	APPROX. SLOPE
23 (584)	14 (356)	18 (450)	2 3/4 (70)	8 (203)	27 (686)	3'-9" (1.143 m)	6'-0" (1.829 m)	36 (914)	5 3/8 (137)	6 (152)	6 (152)	20 (508)	1:3.1
30 (762)	19 (483)	24 (600)	3 1/4 (83)	8 1/2 (216)	39 (991)	33 (838)	6'-0" (1.829 m)	4'-0" (1.219 m)	6 7/8 (175)	7 (178)	8 1/4 (210)	26 1/4 (667)	1:2.8
34 (864)	22 (559)	27 (675)	3 1/2 (89)	9 (229)	4'-0" (1.219 m)	24 (610)	6'-0" (1.829 m)	4'-6" (1.372 m)	7 3/4 (197)	8 (203)	9 1/4 (235)	29 1/4 (743)	1:2.9
38 (965)	24 (610)	30 (750)	3 1/2 (95)	9 1/2 (241)	4'-6" (1.372 m)	18 (475)	6'-0" (1.829 m)	5'-0" (1.524 m)	8 5/8 (219)	9 (229)	10 1/4 (260)	32 3/4 (832)	1:2.9
45 (1143)	29 (737)	36 (900)	4 1/2 (114)	11 1/4 (286)	5'-0" (1.524 m)	36 (914)	8'-0" (2.438 m)	6'-0" (1.829 m)	10 1/2 (267)	12 (305)	12 1/4 (311)	39 1/4 (997)	1:2.7
53 (1346)	34 (864)	42 (1050)	5 (127)	15 3/4 (400)	5'-0" (1.524 m)	36 (914)	8'-0" (2.438 m)	6'-6" (1.981 m)	12 1/2 (308)	13 (330)	14 1/2 (368)	3'-10" (1.168 m)	1:2.6
60 (1524)	38 (965)	48 (1200)	5 1/2 (140)	21 (533)	5'-0" (1.524 m)	36 (914)	8'-0" (2.438 m)	7'-0" (2.134 m)	13 1/2 (343)	14 (356)	16 1/2 (419)	4'-3 1/2" (1.308 m)	1:2.7
68 (1727)	43 (1092)	54 (1350)	6 (152)	26 (660)	5'-0" (1.524 m)	36 (914)	8'-0" (2.438 m)	7'-6" (2.286 m)	15 1/4 (387)	16 (406)	18 3/4 (476)	4'-10 1/2" (1.486 m)	1:2.6
76 (1930)	48 (1219)	60 (1500)	6 1/2 (165)	31 (787)	5'-0" (1.524 m)	36 (914)	8'-0" (2.438 m)	8'-0" (2.439 m)	17 (432)	18 (457)	20 3/4 (527)	5'-5" (1.651 m)	1:2.6



END VIEW



OPTIONAL WELDED WIRE REINFORCEMENT LAP

GENERAL NOTES

All slope ratios are expressed as units of vertical displacement to units of horizontal displacement (V:H).

All dimensions are in inches (millimeters) unless otherwise shown.

DATE	REVISIONS
4-1-16	Changed terminology to 'welded wire reinforcement'.
	Corrected min. lap dimension.
1-1-09	Switched units to English (metric).

PRECAST REINFORCED CONCRETE ELLIPTICAL FLARED END SECTION

STANDARD 542306-03

Illinois Department of Transportation

APPROVED April 1, 2016

ENGINEER OF BRIDGES AND STRUCTURES

APPROVED April 1, 2016

ENGINEER OF DESIGN AND ENVIRONMENT

ISSUED 1-1-97