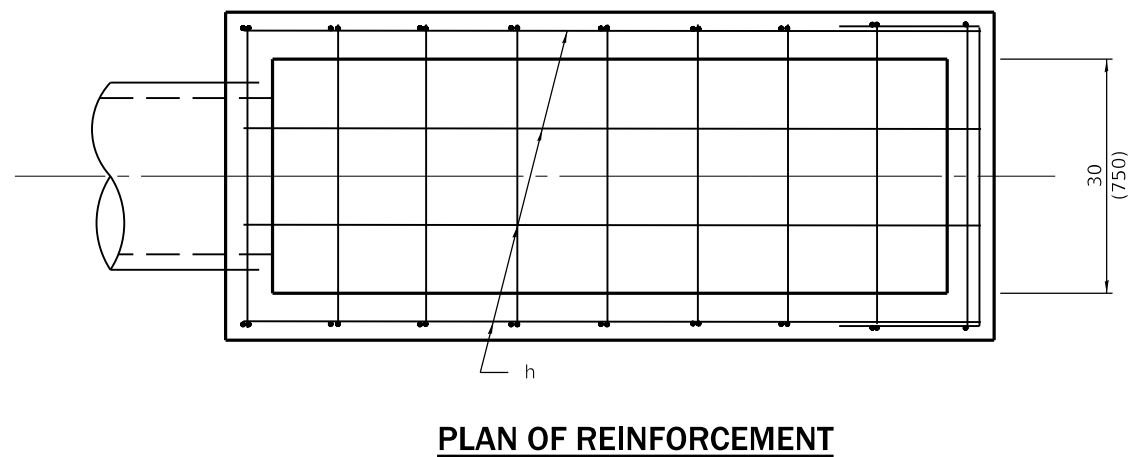


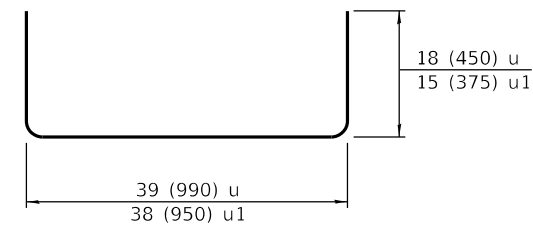
Traffic →

Sketch showing location and direction of box in relation to \bar{C} median.



Material required for one inlet box

Bar	Qty.	Size	Length
h	10	No. 4 (No. 13)	7'-9" (2.35 m)
u	10	No. 4 (No. 13)	6'-3" (1.90 m)
u1	1	No. 4 (No. 13)	5'-8" (1.70 m)
v	6	No. 4 (No. 13)	30 (760)
v1	4	No. 4 (No. 13)	24 (610)
v2	2	No. 4 (No. 13)	18 (460)
Galv. Steel Pipe		3 1/2 (89) O.D.	8'-0" (2.38 m)
Concrete		cu. yds. (m ³)	1.2 (0.9)
Reinf. Bars		lbs. (kg)	115 (52.2)



Bars u & u1

GENERAL NOTES

All slope ratios are expressed as units of vertical displacement to units of horizontal displacement (V:H).

All dimensions are in inches (millimeters) unless otherwise shown.

DATE	REVISIONS
1-1-09	Switched units to English (metric).
1-1-07	Soft converted metric reinforcement bars.

**INLET BOX
TYPE 24 (600) A**

(Sheet 1 of 2)

STANDARD 542501-02

Illinois Department of Transportation

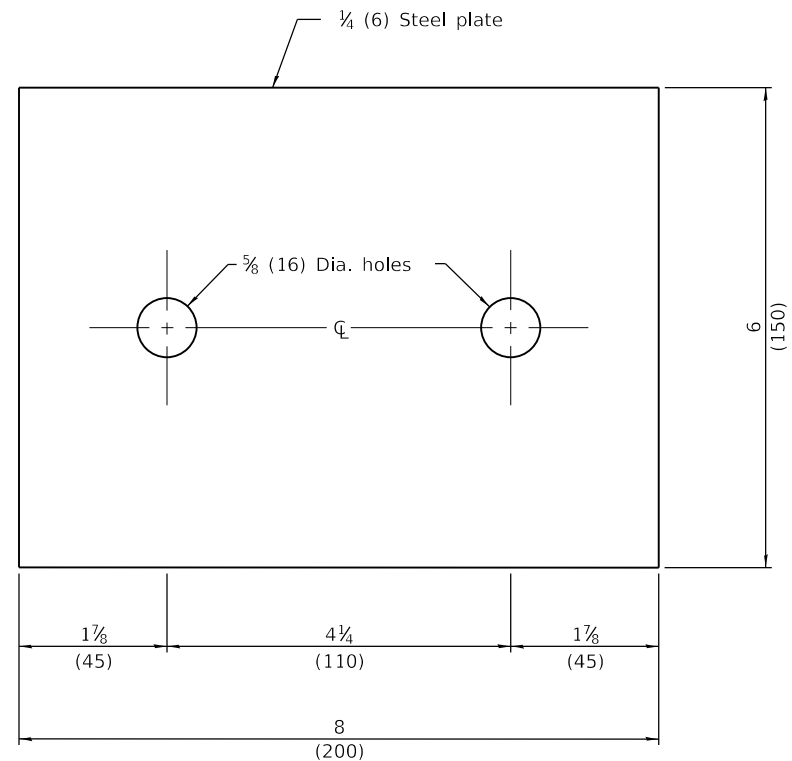
PASSED January 1, 2009

ENGINEER OF POLICY AND PROCEDURES

APPROVED January 1, 2009

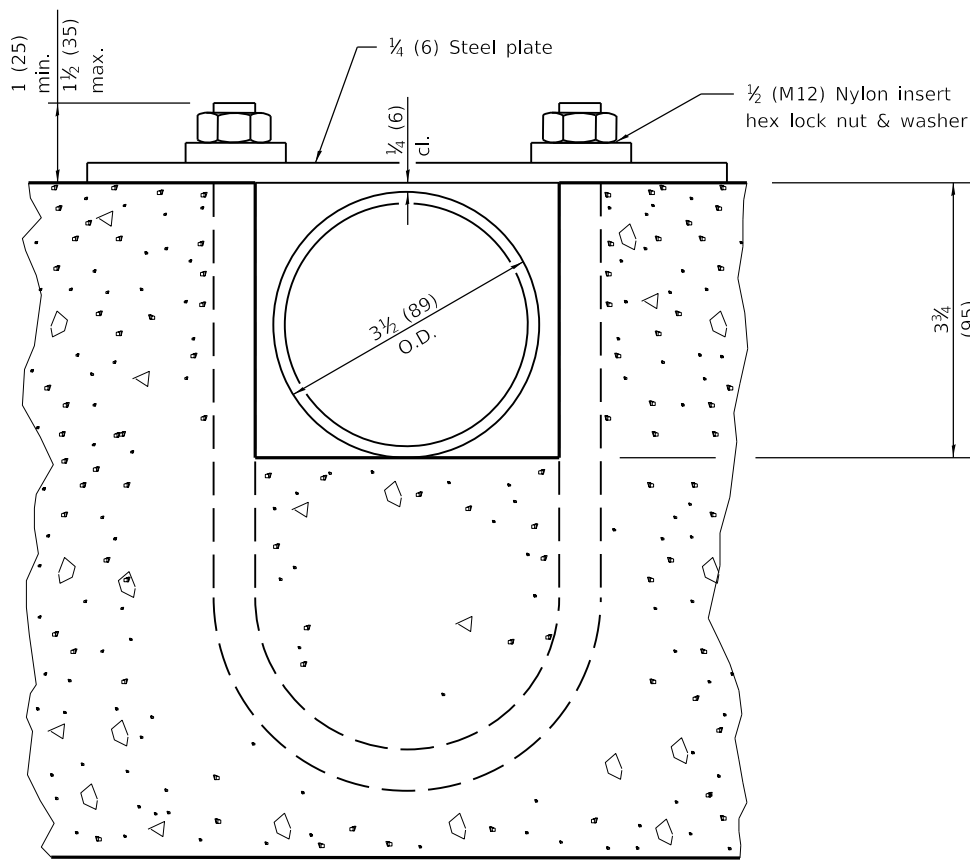
ENGINEER OF DESIGN AND ENVIRONMENT

ISSUED 1-1-09

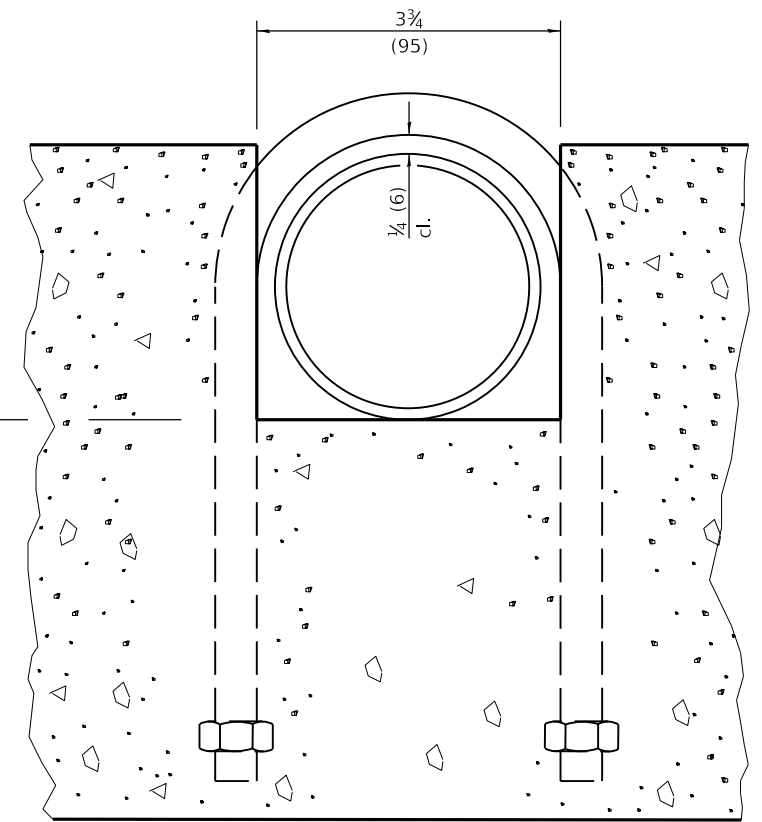


TOP ANCHOR PLATE

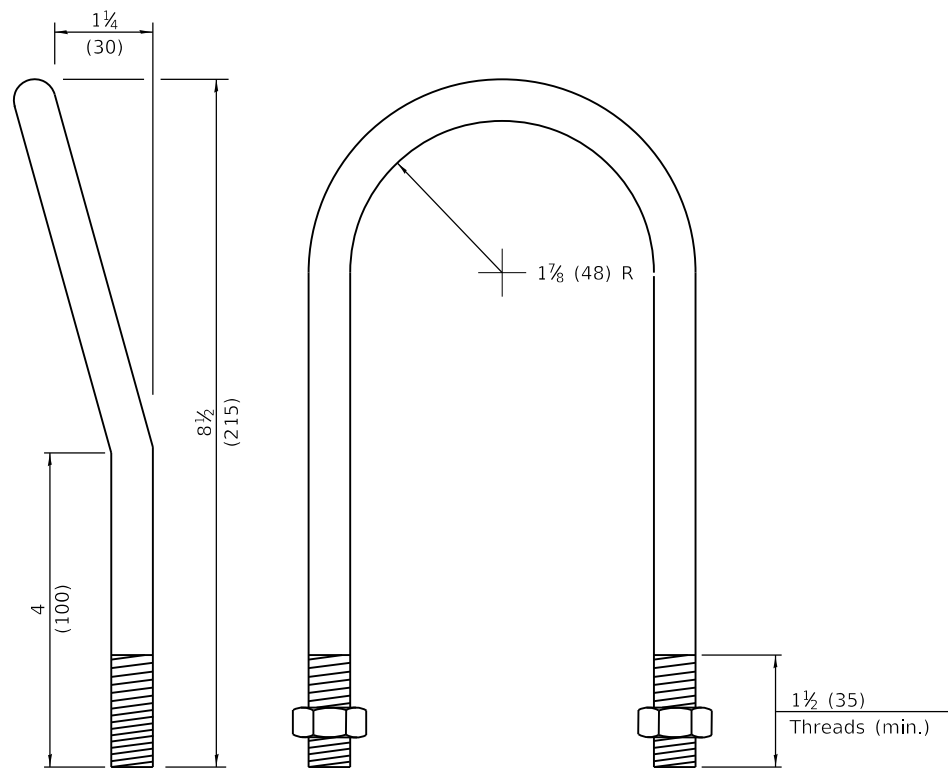
(1 - required)



SECTION B-B

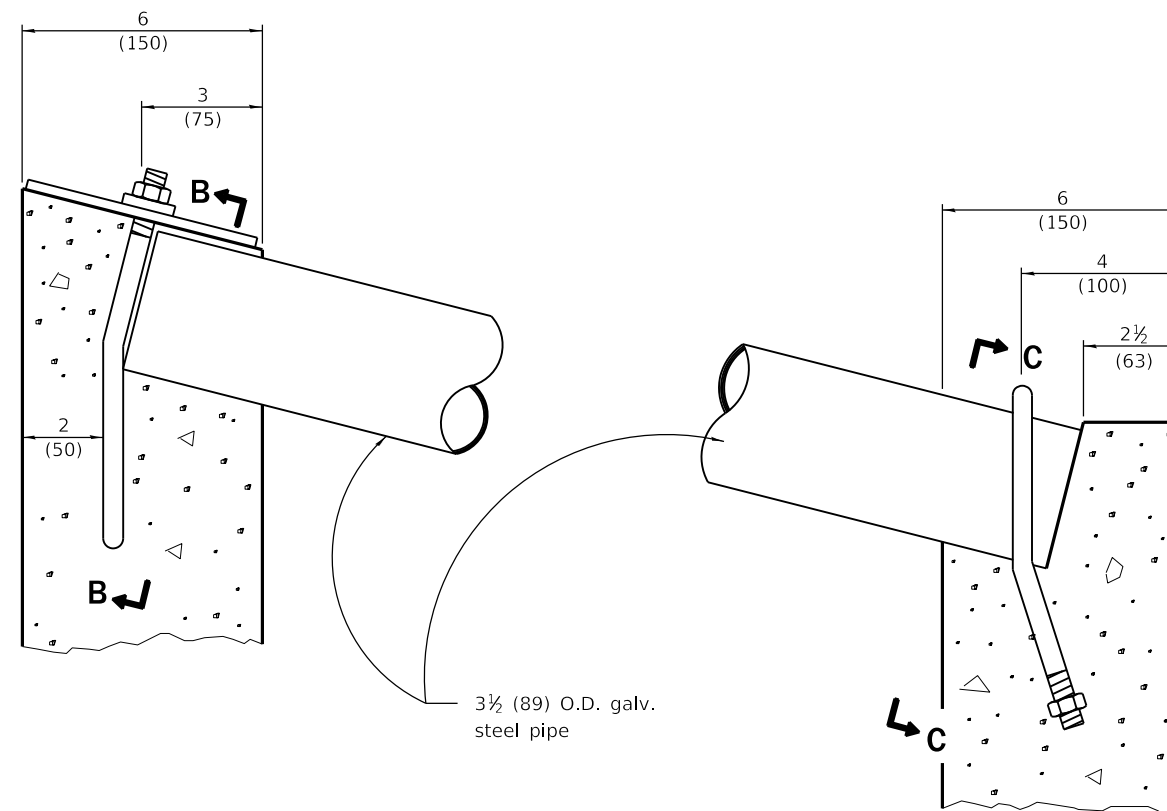


SECTION C-C



1/2 (M12) U BOLT

(2 - required)



DETAIL AT BLOCKOUTS

Illinois Department of Transportation

PASSED January 1, 2009

ENGINEER OF POLICY AND PROCEDURES

APPROVED January 1, 2009

ENGINEER OF DESIGN AND ENVIRONMENT

ISSUED 1-1-97

**INLET BOX
TYPE 24 (600) A**

(Sheet 2 of 2)

STANDARD 542501-02