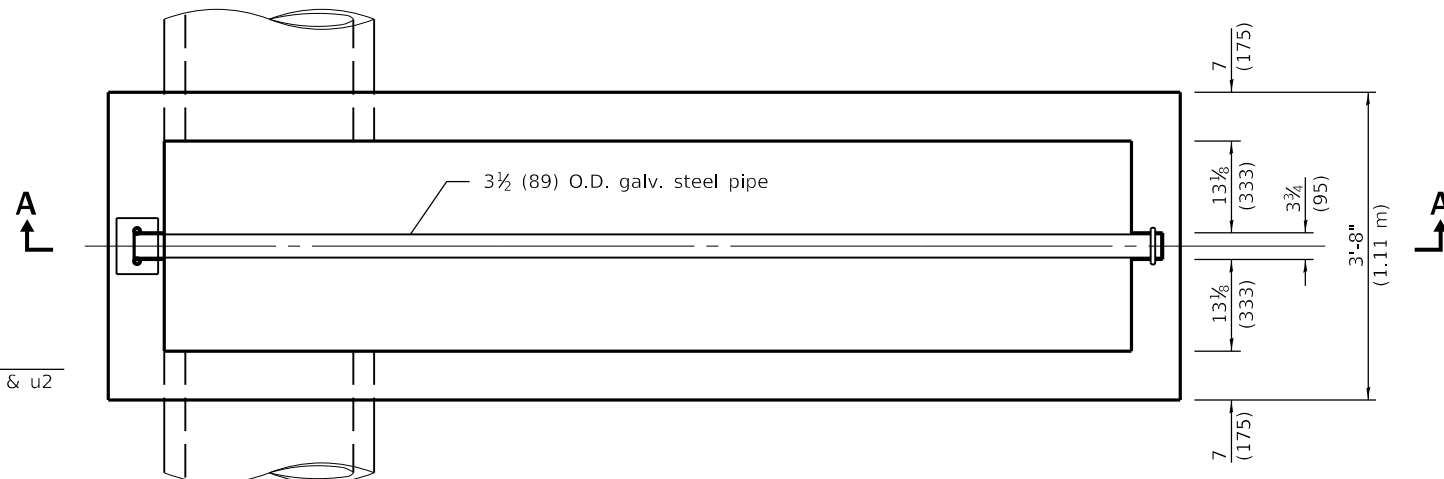


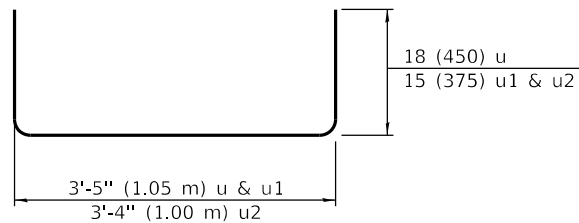
SECTION A-A

Material required for one inlet box

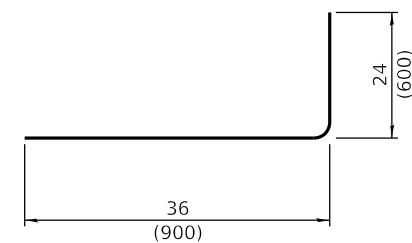
Bar	Qty.	Size	Length
h	8	No. 4 (No. 13)	12'-0" (3.66 m)
h1	2	No. 4 (No. 13)	9'-0" (2.75 m)
L	5	No. 4 (No. 13)	5'-0" (1.50 m)
u	9	No. 4 (No. 13)	6'-5" (1.95 m)
u1	3	No. 4 (No. 13)	5'-11" (1.80 m)
u2	2	No. 4 (No. 13)	5'-10" (1.75 m)
v	6	No. 4 (No. 13)	30 (760)
v1	6	No. 4 (No. 13)	24 (610)
v2	6	No. 4 (No. 13)	18 (460)
Concrete		cu. yds. (m ³)	2.0 (1.5)
Reinforcement Bars		lbs. (kg)	175 (79.4)
Galv. Steel Pipe		3 1/2 (89) O.D.	12'-2 1/4" (3.71 m)



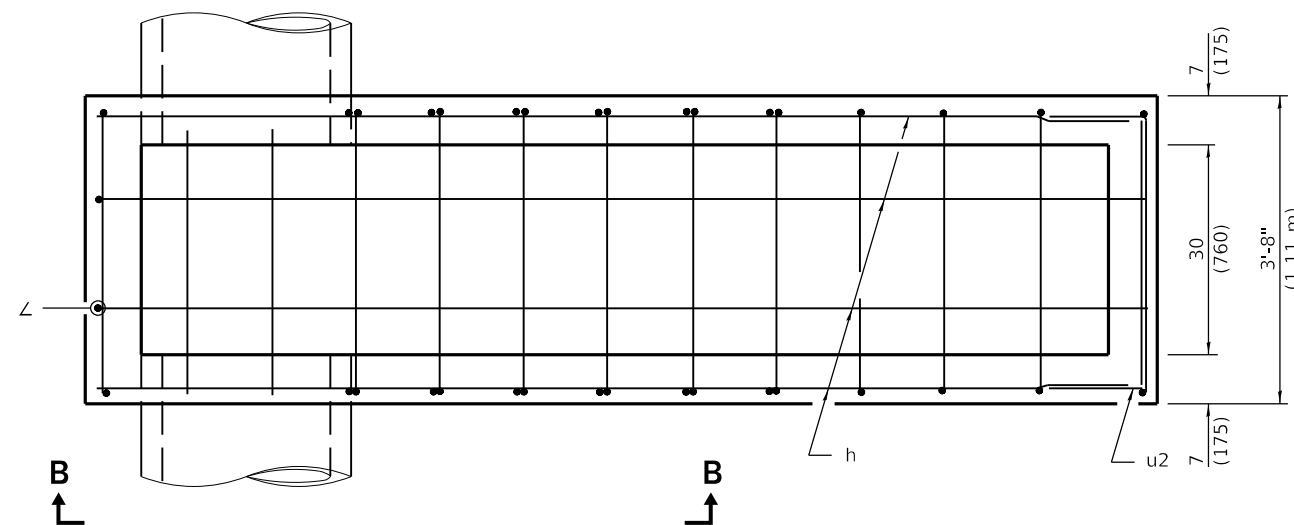
PLAN



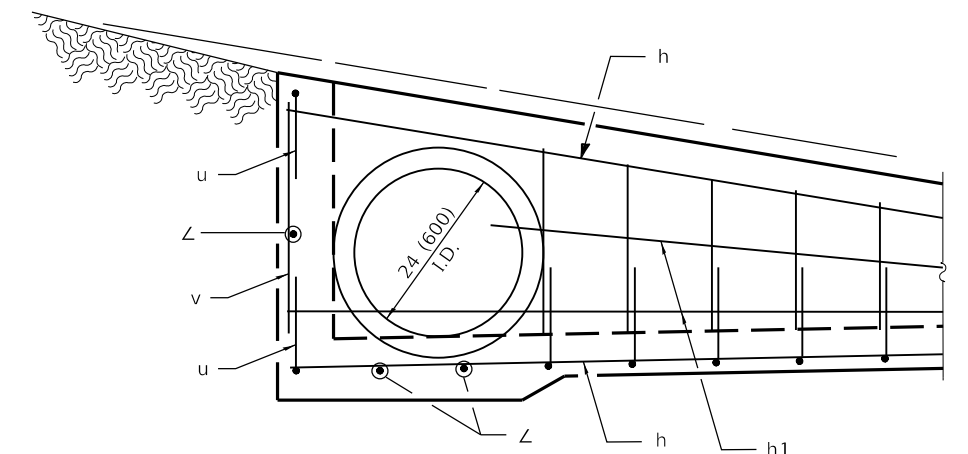
Bars u, u1 & u2



Bar L



PLAN OF REINFORCEMENT



SECTION B-B

GENERAL NOTES

All slope ratios are expressed as units of vertical displacement to units of horizontal displacement (V:H).

All dimensions are in inches (millimeters) unless otherwise shown.

DATE	REVISIONS
1-1-09	Switched units to English (metric).
1-1-07	Soft converted metric reinforcement bars.

**INLET BOX
TYPE 24 (600) E**

(Sheet 1 of 2)

STANDARD 542521-02

Illinois Department of Transportation

PASSED January 1, 2009

ENGINEER OF POLICY AND PROCEDURES

APPROVED January 1, 2009

ENGINEER OF DESIGN AND ENVIRONMENT

ISSUED 46-T-1-03/05

