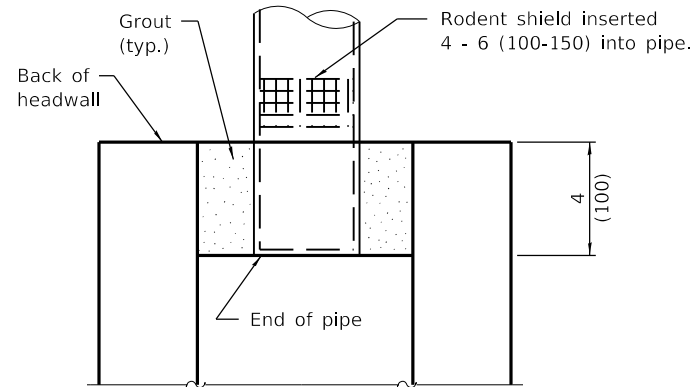
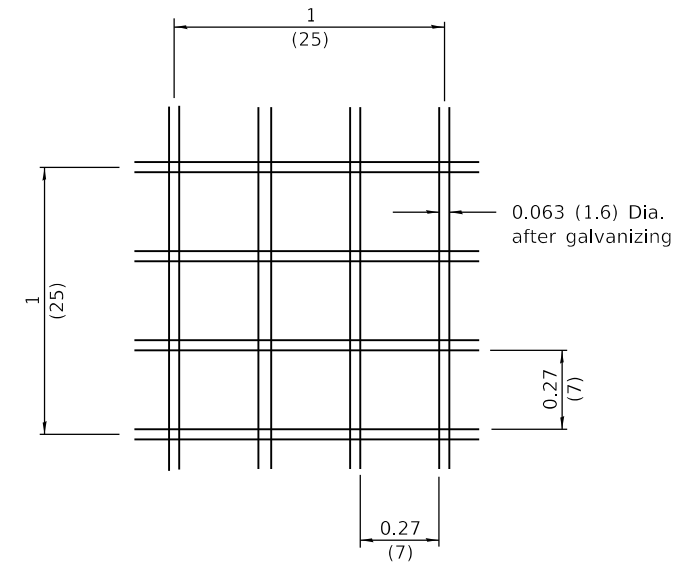


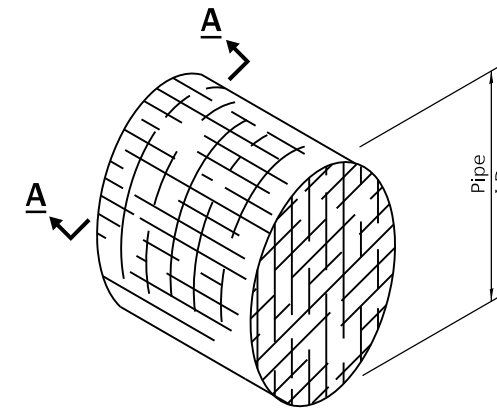
FRONT VIEW



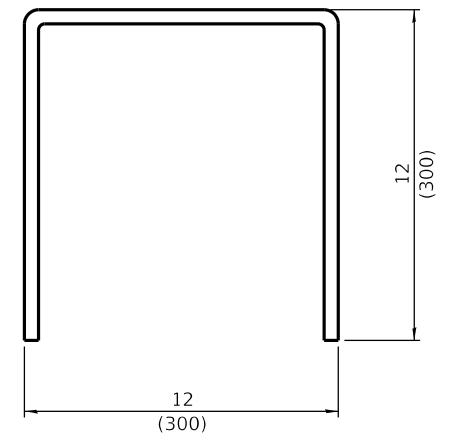
RODENT SHIELD PLACEMENT



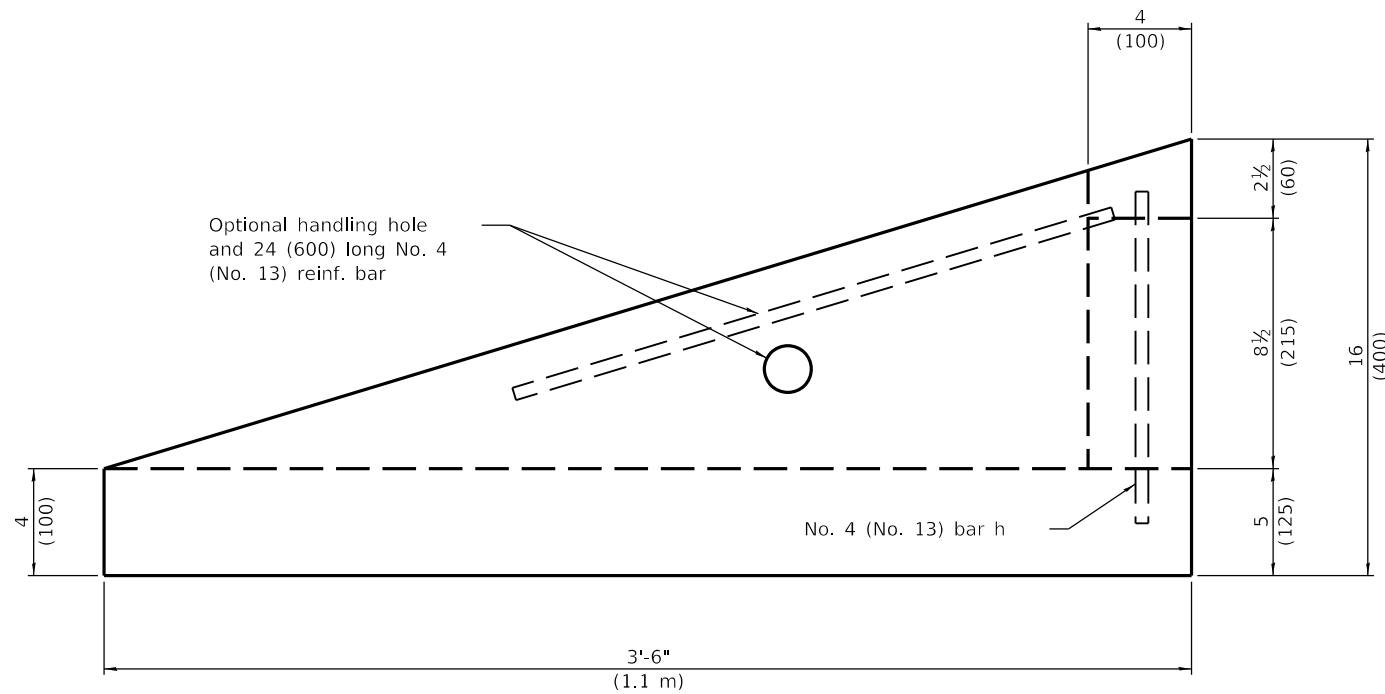
SECTION A-A



DETAIL OF RODENT SHIELD



BAR h



SIDE VIEW

GENERAL NOTES

An alternate paved invert meeting the approval of the Engineer may be substituted for that shown in side view.

All dimensions are in inches (millimeters) unless otherwise shown.

DATE	REVISIONS
4-1-16	Renamed standard to be consistent with specs and other standards.
1-1-09	Switched units to English (metric).

CONCRETE HEADWALL FOR PIPE UNDERDRAINS

STANDARD 601101-02

Illinois Department of Transportation

PASSED April 1, 2016

Michael Beard
ENGINEER OF POLICY AND PROCEDURES

APPROVED April 1, 2016

[Signature]
ENGINEER OF DESIGN AND ENVIRONMENT

ISSUED 1-1-97