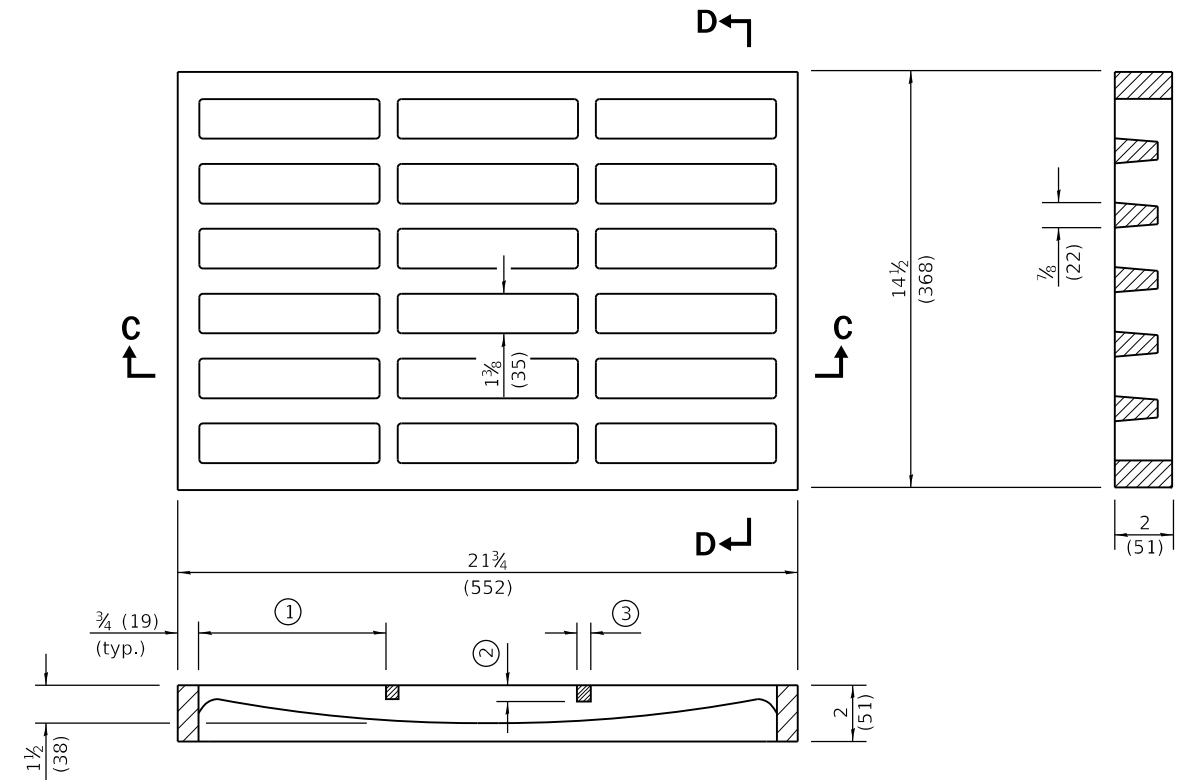


SECTION B-B

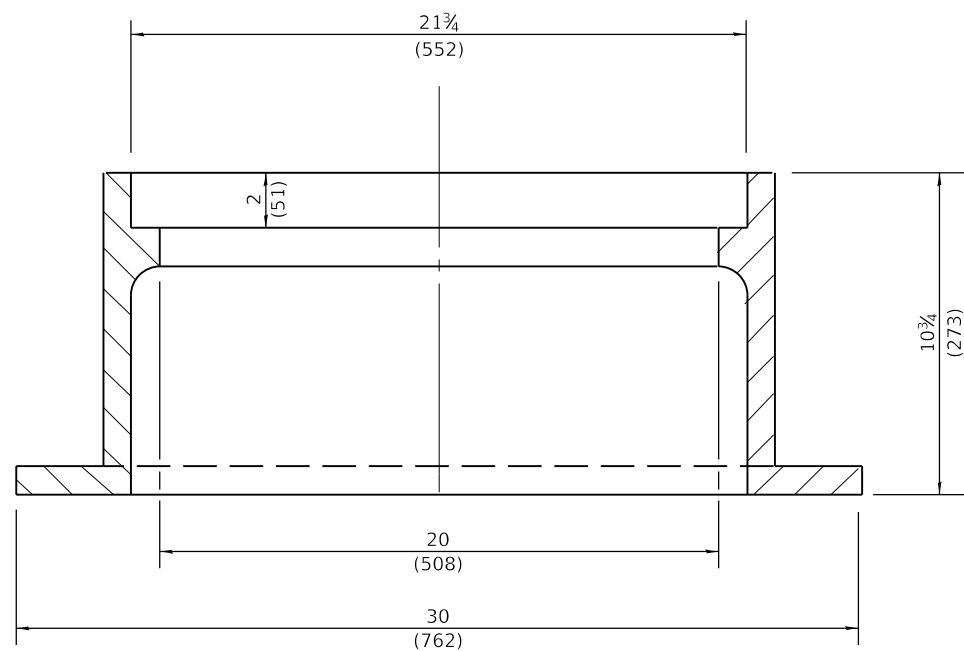


SECTION C-C

SECTION D-D

- ① = 6 1/4 (159) (typ.)
- ② = 3/4 (19) (typ.)
- ③ = 5/8 (16) (typ.)

CAST GRATE



SECTION A-A

CAST FRAME

All dimensions are in inches (millimeters) unless otherwise shown.

Illinois Department of Transportation

PASSED April 1, 2016

Michael Beard
ENGINEER OF POLICY AND PROCEDURES

APPROVED April 1, 2016

[Signature]
ENGINEER OF DESIGN AND ENVIRONMENT

ISSUED 1-1-97

DATE	REVISIONS
4-1-16	Corrected dimension on SECTION A-A.
1-1-15	Revised dimensions of frame and grate.

**FRAME AND GRATE
TYPE 4**

STANDARD 604016-04