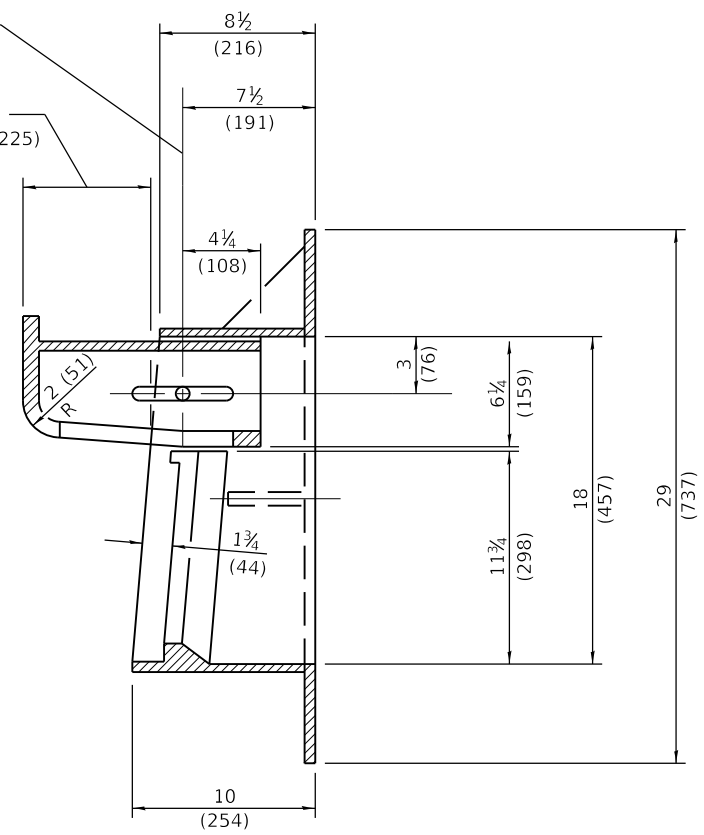
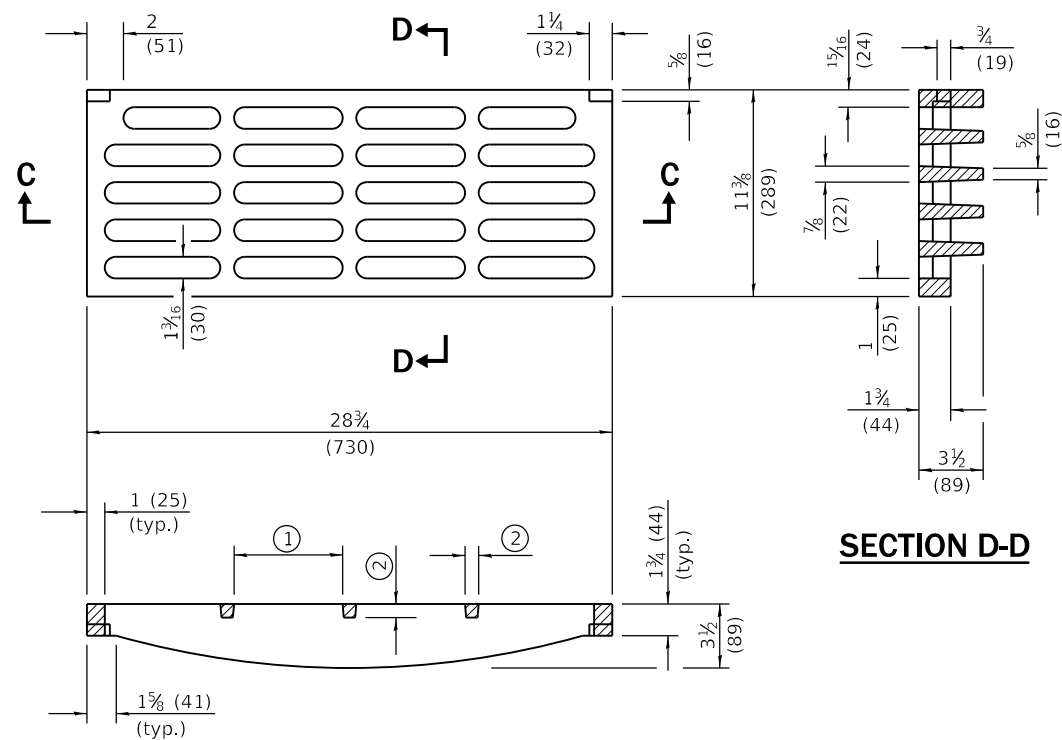


CAST FRAME

⌀ 5/8 (10) Dia. hole and 5/8x5 1/2 (16x140) slotted hole for galvanized 1/2 (M12) bolt, nut, and washer.
Curb box adjustable from 4 1/2 (115) to 9 (225)



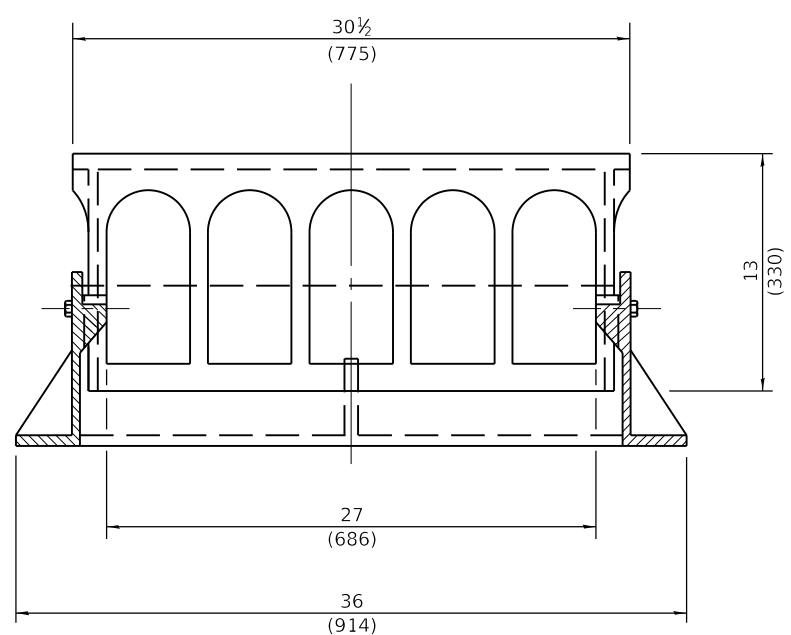
SECTION B-B



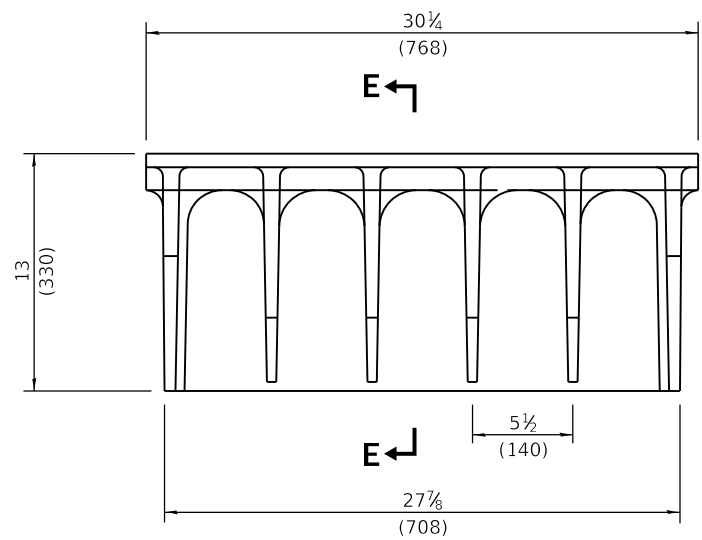
SECTION C-C

- ① = 6 1/4 (159) max. (typ.)
- ② = 3/4 (19) min. (typ.)

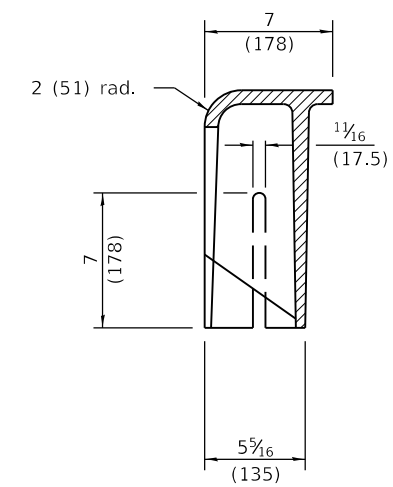
CAST GRATE



SECTION A-A



ALTERNATE CURB BOX



SECTION E-E

All dimensions are in inches (millimeters) unless otherwise shown.

DATE	REVISIONS
1-1-15	Revised dimensions of frame and alternate curb box.
4-1-09	Switched units to English (metric).

**FRAME AND GRATE
TYPE 11**

STANDARD 604051-04

Illinois Department of Transportation

PASSED January 1, 2015
Michael Beard
ENGINEER OF POLICY AND PROCEDURES

APPROVED January 1, 2015
[Signature]
ENGINEER OF DESIGN AND ENVIRONMENT

ISSUED 1-1-97