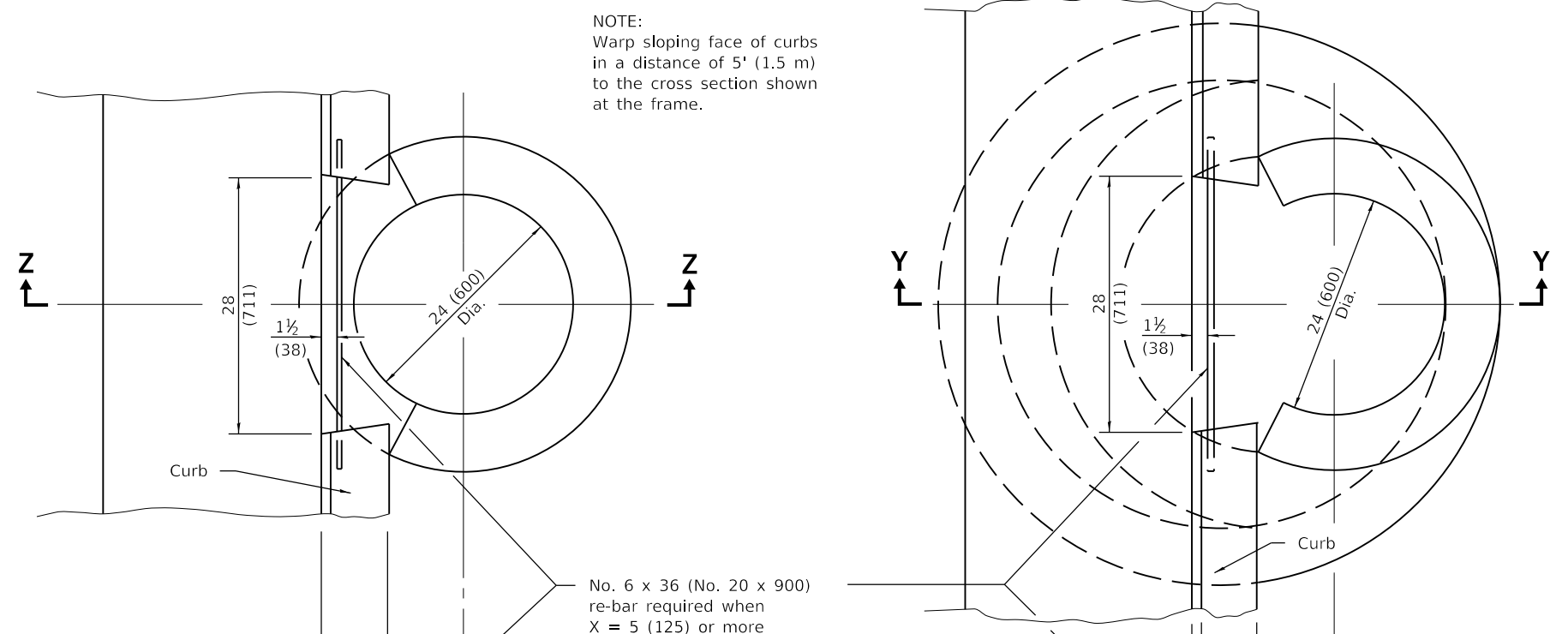


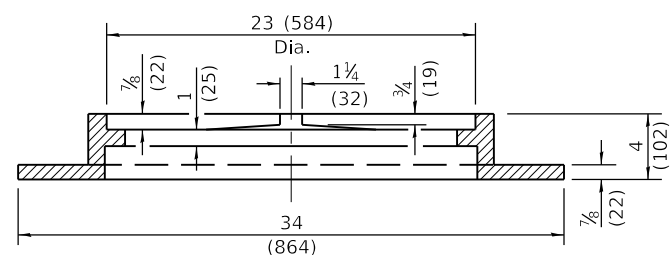
**CAST FRAME**  
(GRAY IRON)

**SECTION B-B**



NOTE:  
Warp sloping face of curbs  
in a distance of 5' (1.5 m)  
to the cross section shown  
at the frame.

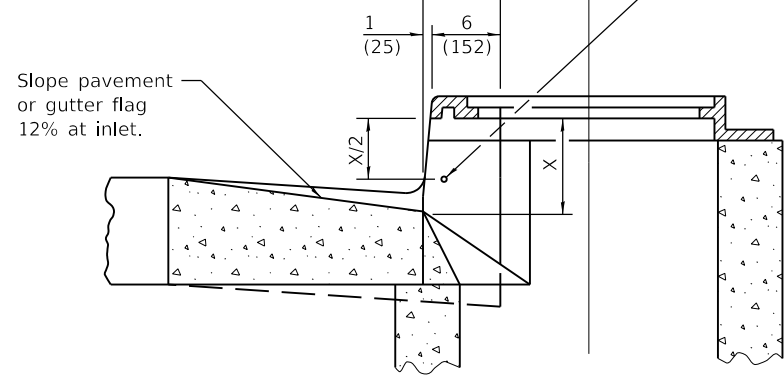
No. 6 x 36 (No. 20 x 900)  
re-bar required when  
X = 5 (125) or more



**SECTION A-A**

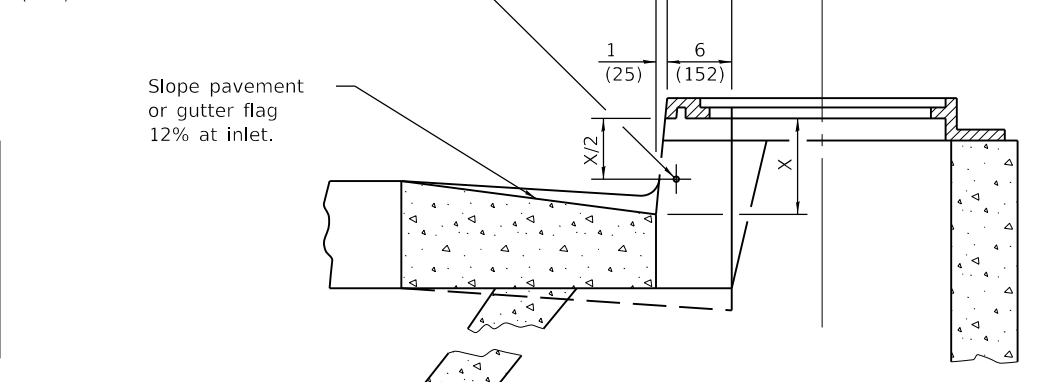
Slope pavement  
or gutter flag  
12% at inlet.

Slope pavement  
or gutter flag  
12% at inlet.



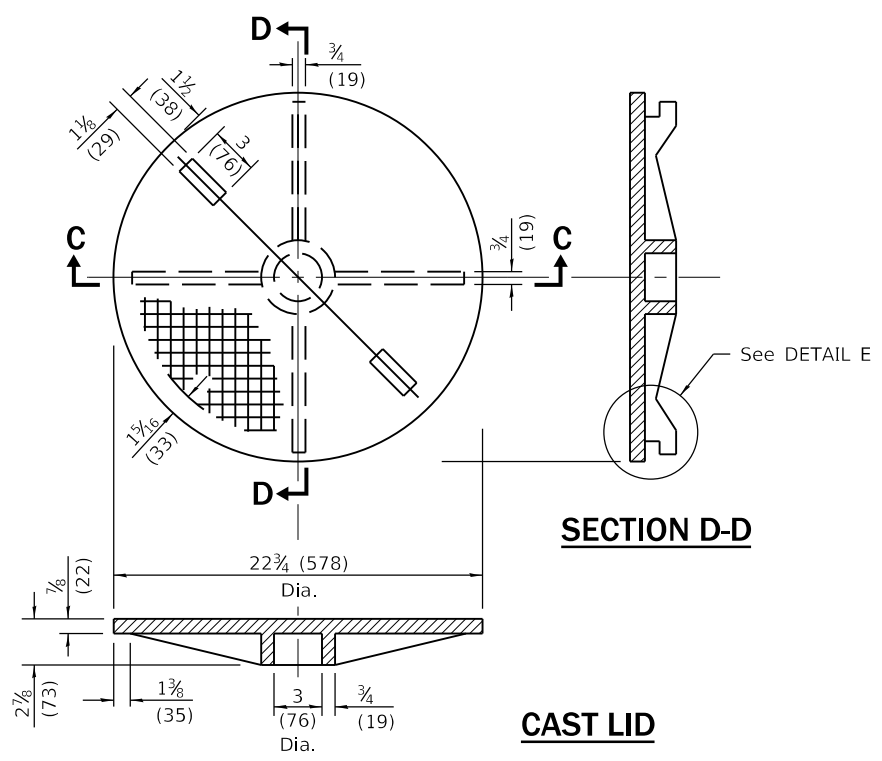
**SECTION Z-Z**  
(WITH FRAME)

**CASE II**



**SECTION Y-Y**  
(WITH FRAME)

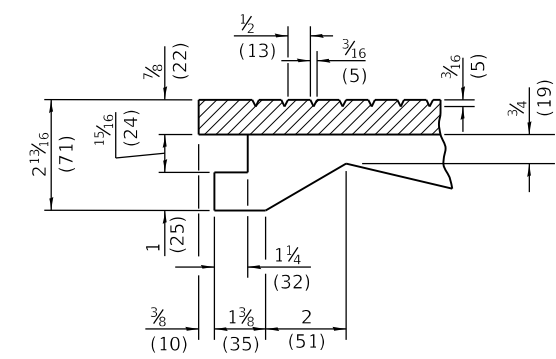
**CASE I**



**SECTION D-D**

**CAST LID**

**SECTION C-C**



**DETAIL E**

All dimensions are in inches (millimeters)  
unless otherwise shown.

DATE	REVISIONS
1-1-09	Switched units to English (metric).
1-1-04	Removed weights.

**FRAME AND LID  
TYPE 15**

**STANDARD 604066-02**

Illinois Department of Transportation

PASSED January 1, 2009

ENGINEER OF POLICY AND PROCEDURES

APPROVED January 1, 2009

ENGINEER OF DESIGN AND ENVIRONMENT

ISSUED 1-1-09