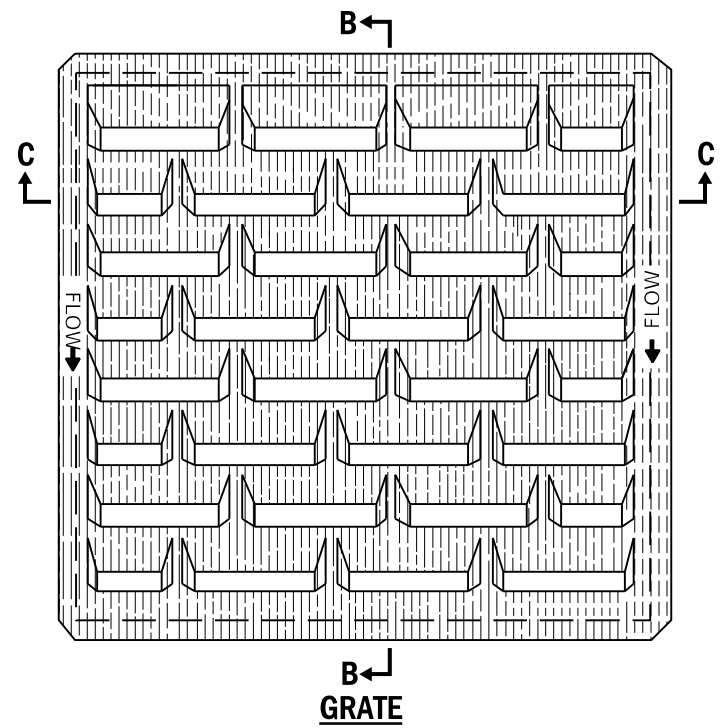
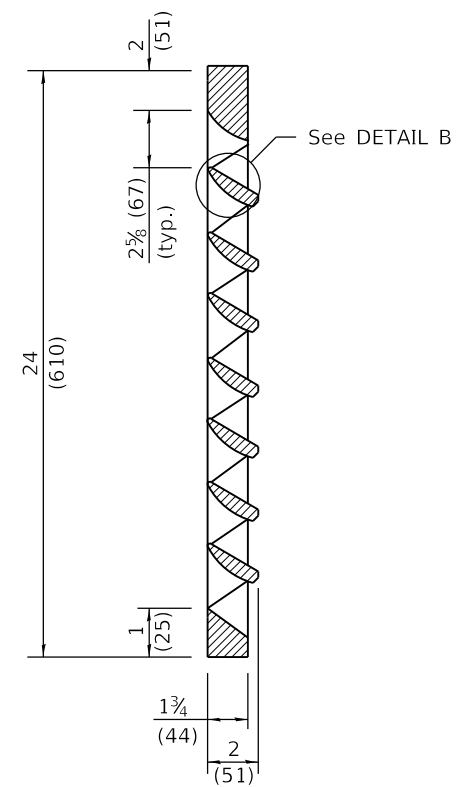


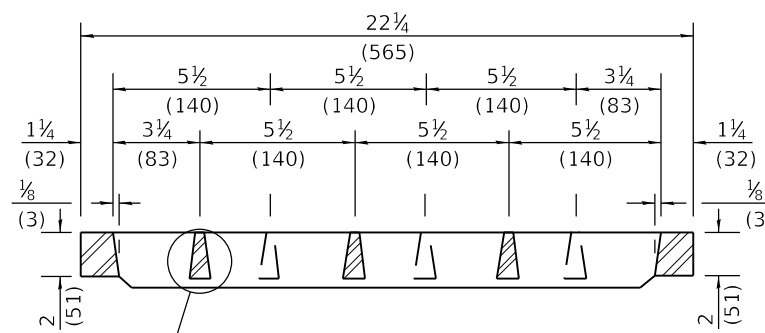
**PLAN - FRAME**



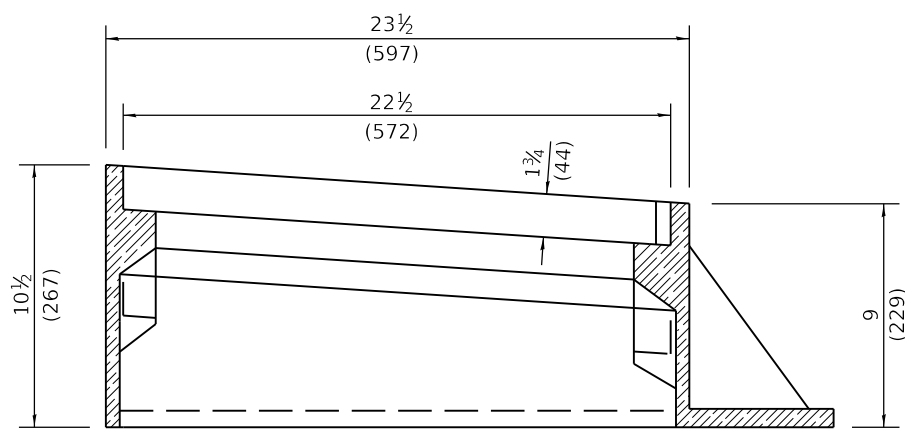
**GRATE**



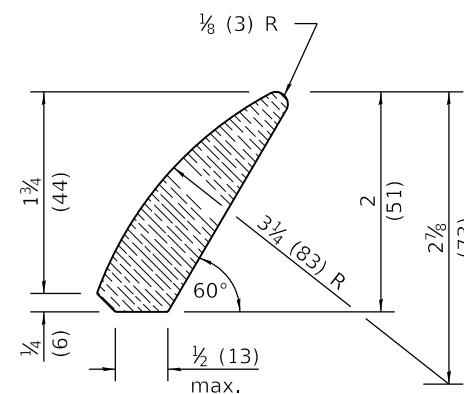
**SECTION B-B**



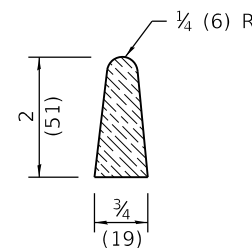
**SECTION C-C**



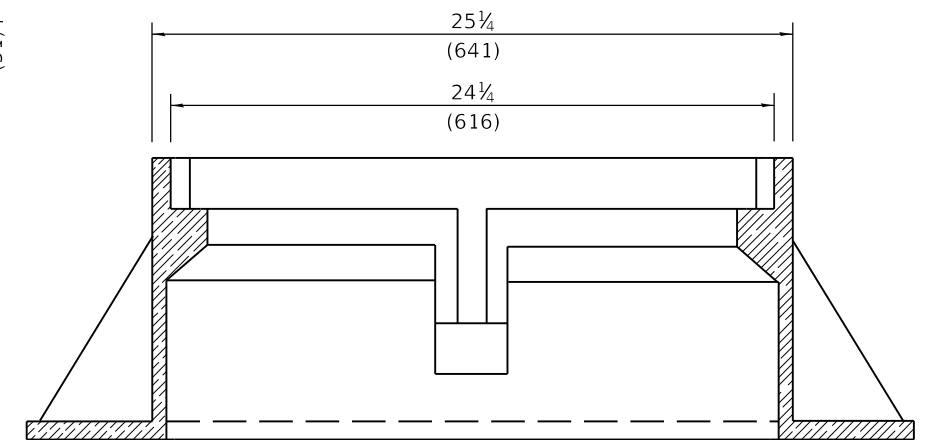
**SECTION A-A**



**DETAIL B**



**DETAIL A**



**SECTION D-D**

All dimensions are in inches (millimeters) unless otherwise shown.

Illinois Department of Transportation

PASSED January 1, 2021  
*Michael Bond*  
 ENGINEER OF POLICY AND PROCEDURES

APPROVED January 1, 2021  
*J. E. ...*  
 ENGINEER OF DESIGN AND ENVIRONMENT

ISSUED 1-1-97

| DATE   | REVISIONS                        |
|--------|----------------------------------|
| 1-1-21 | Removed "safety bar" from frame. |
| 1-1-15 | Revised dimensions of frame.     |

**FRAME AND GRATE  
TYPE 24**

**STANDARD 604091-04**