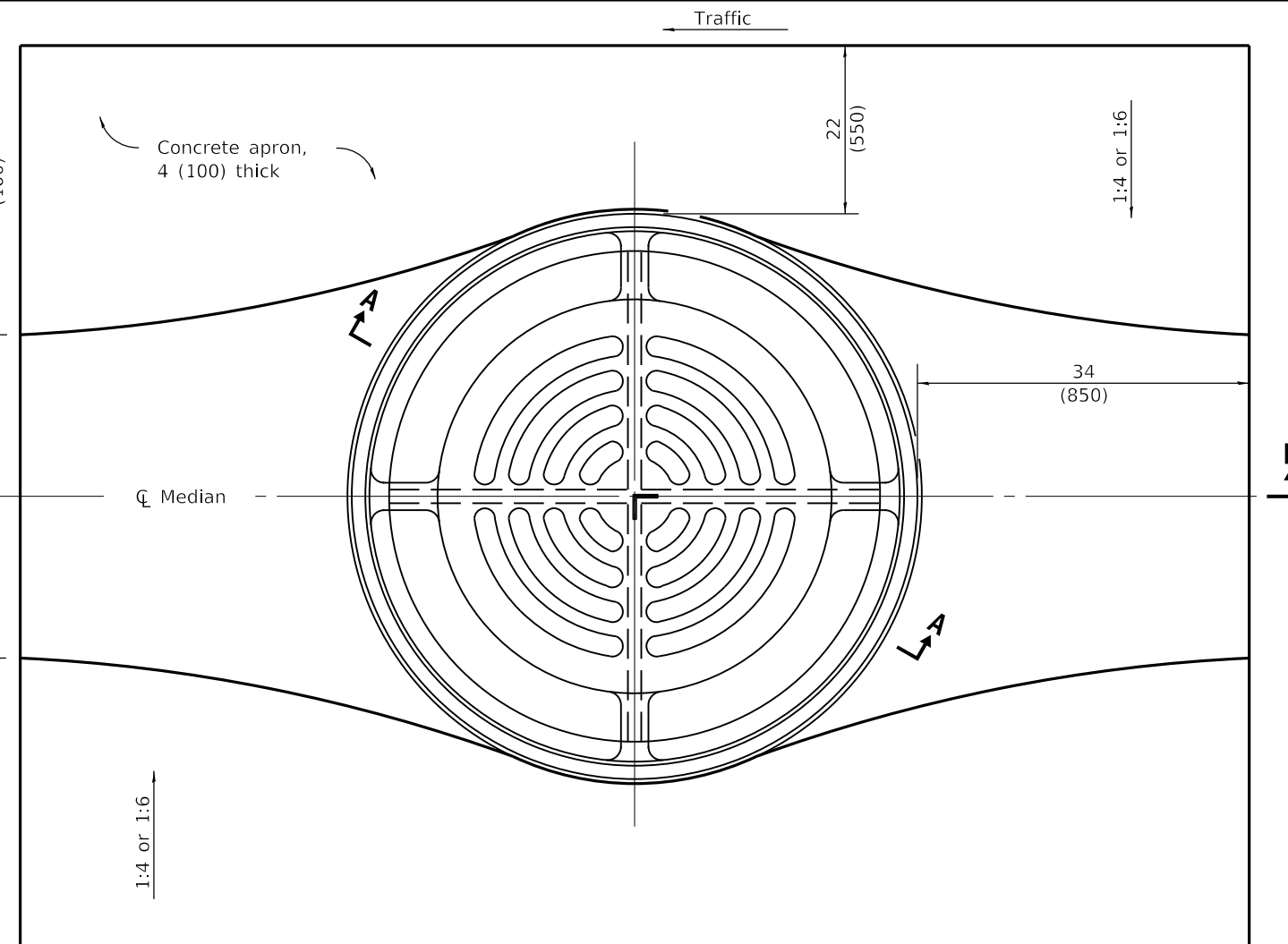
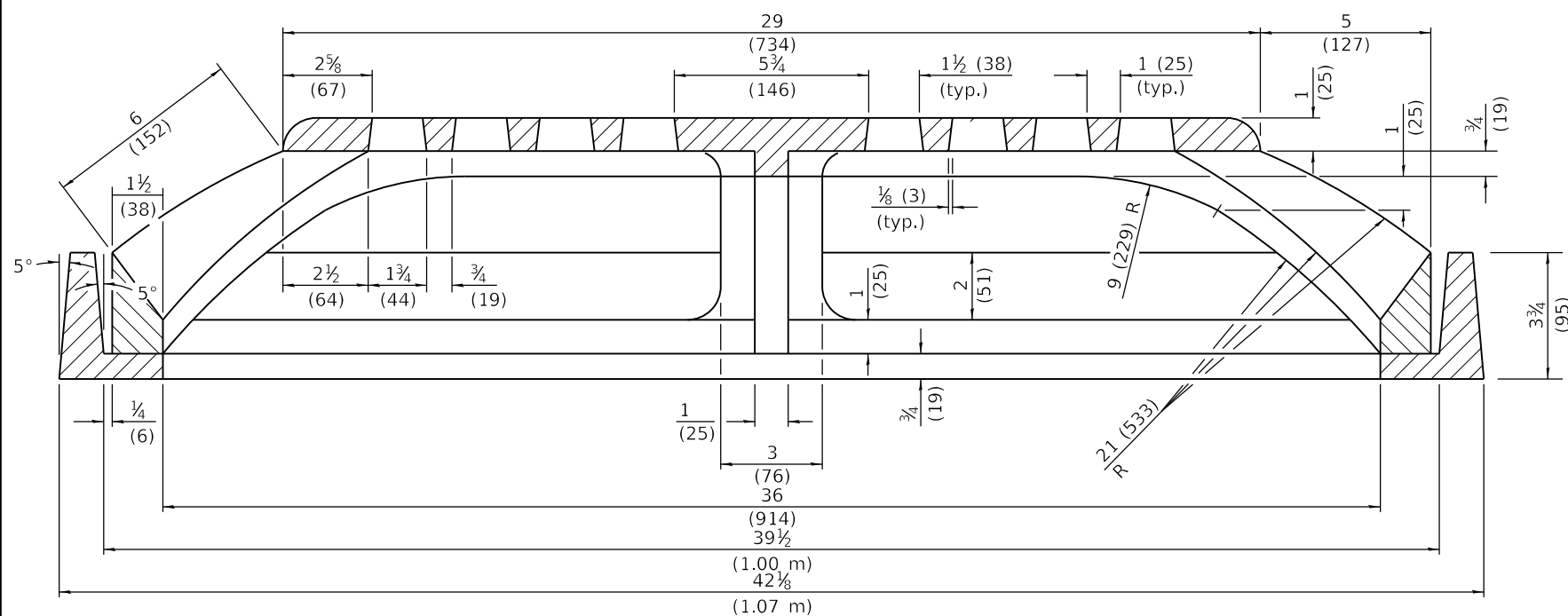


**SECTION B-B**



**LOCATION SKETCH - PLAN**



**SECTION A-A**

**GENERAL NOTES**  
 All slope ratios are expressed as units of vertical displacement to units of horizontal displacement (V:H).

All dimensions are in inches (millimeters) unless otherwise shown.

Illinois Department of Transportation

PASSED January 1, 2009  
 ENGINEER OF POLICY AND PROCEDURES

APPROVED January 1, 2009  
 ENGINEER OF DESIGN AND ENVIRONMENT

ISSUED 1-1-97

DATE	REVISIONS
1-1-09	Switched units to English (metric).
1-1-97	Renum. Standard 2251-2.

**MEDIAN INLET for 36" (900 mm)  
 REINFORCED CONCRETE PIPE**

**STANDARD 604106-01**