

Welded wire reinforcement weighing not less than 58 lbs./100 sq. ft. (2.83 kg/m²) to begin here.

GENERAL NOTES

Tie bars shall be No. 6 (No. 19) at 36 (900) centers unless otherwise shown.

Gutter outlet shall be tied to the pavement in accordance with details for longitudinal construction joint shown on Standard 420001.

If the average grade of pavement for the distance from Section A-A to D-D exceeds 2%, this distance shall be increased 6' (1.8 m) for each 1% increase in grade.

All dimensions are in inches (millimeters) unless otherwise shown.

QUANTITIES

For Section A-A to E-E and curtain wall =
 2.38 cu. yds. (1.82 m³) concrete for 9 (225) pav't.
 2.41 cu. yds. (1.84 m³) concrete for 10 (250) pav't.
 For Section F-F =
 0.069 cu. yds. (0.17 m³) concrete per ft. (m)

STANDARD OUTLET

DATE	REVISIONS
1-1-18	Revised General Notes for tie bar spacing to 36 (900) cts.
4-1-16	Changed terminology to 'welded wire reinforcement'.

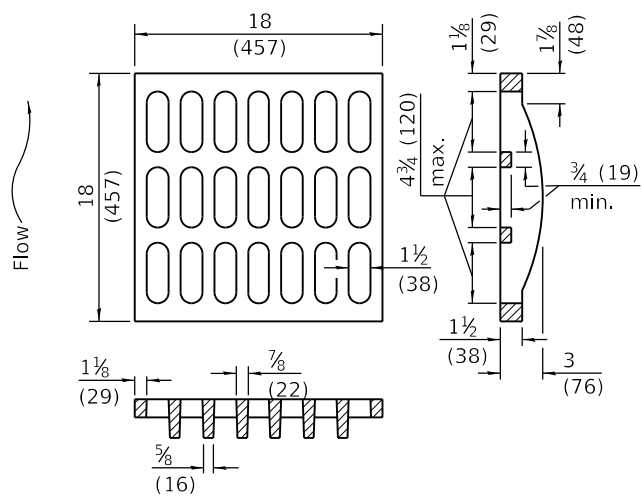
OUTLETS FOR CONCRETE CURB AND GUTTER TYPE B-6.24 (B-15.60)
 (Sheet 1 of 2)
STANDARD 606006-04

Illinois Department of Transportation

PASSED January 1, 2018
Michael Beard
 ENGINEER OF POLICY AND PROCEDURES

APPROVED January 1, 2018
Marcus M. Adams
 ENGINEER OF DESIGN AND ENVIRONMENT

ISSUED 1-1-97

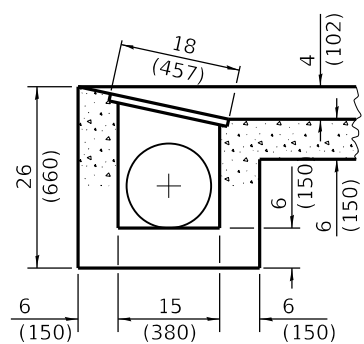


GRATE TYPE A

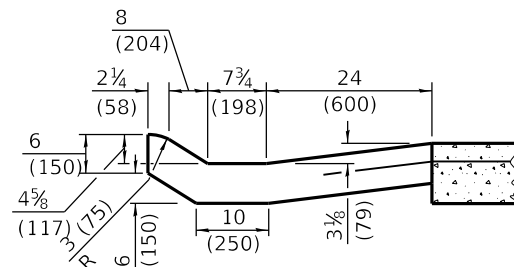
QUANTITIES

1.98 cu. yds. (1.51 m³) concrete for 9 (225) pav't.

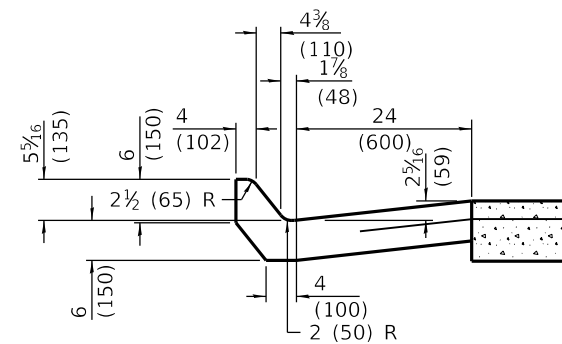
2.01 cu. yds. (1.54 m³) concrete for 10 (250) pav't.



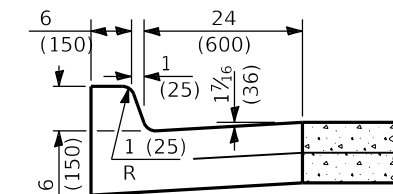
SECTION E-E



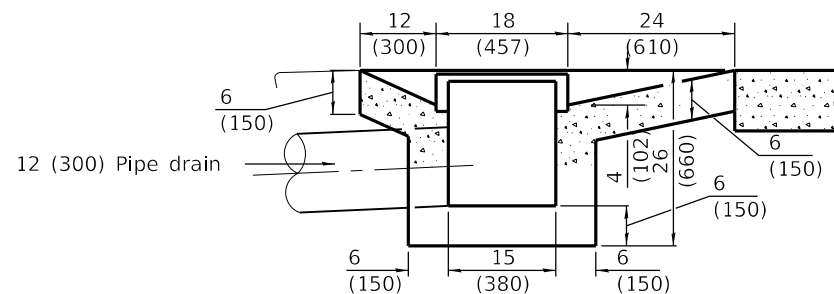
SECTION C-C



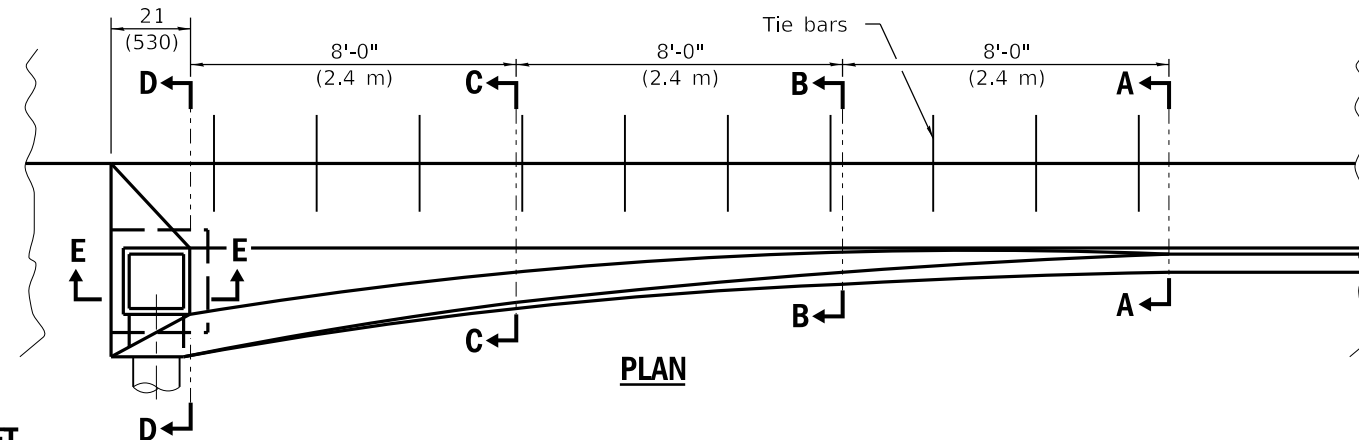
SECTION B-B



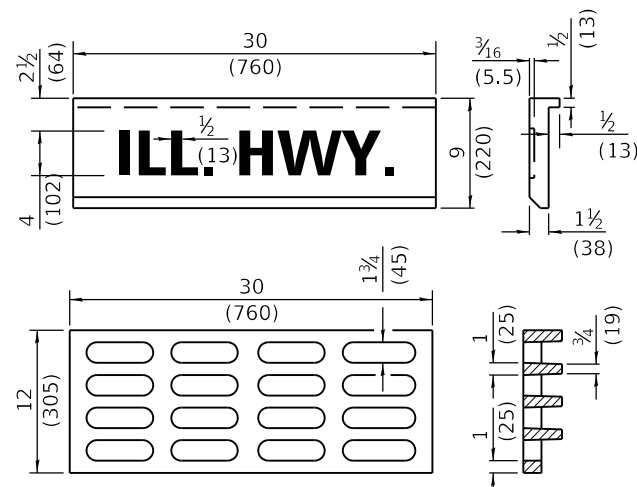
SECTION A-A



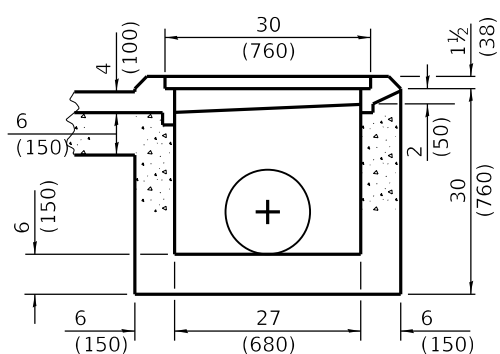
SECTION D-D



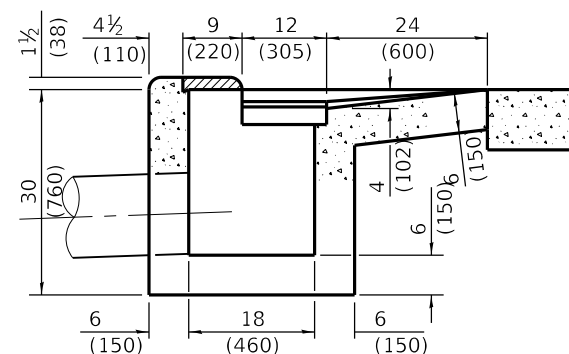
TYPE 1 OUTLET



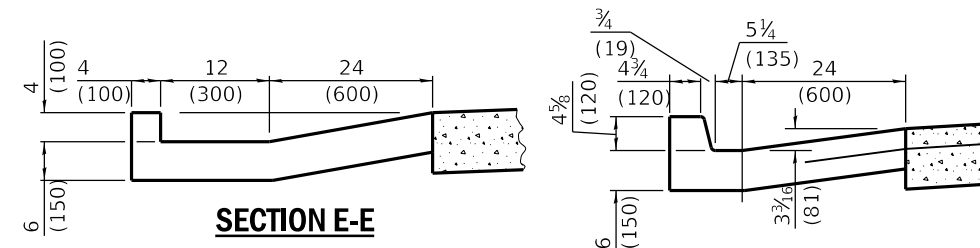
GRATE AND COVER TYPE 2B



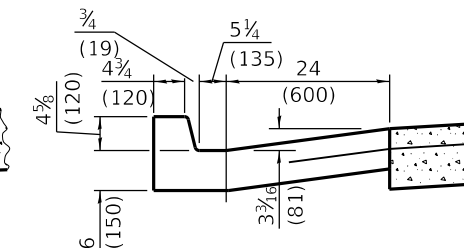
SECTION F-F



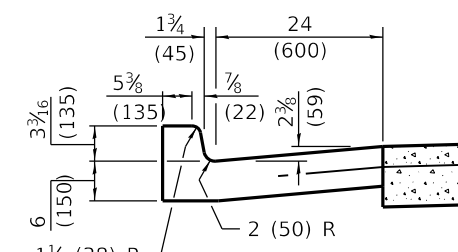
SECTION D-D



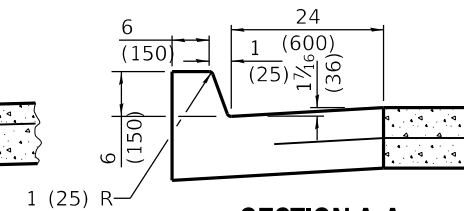
SECTION E-E



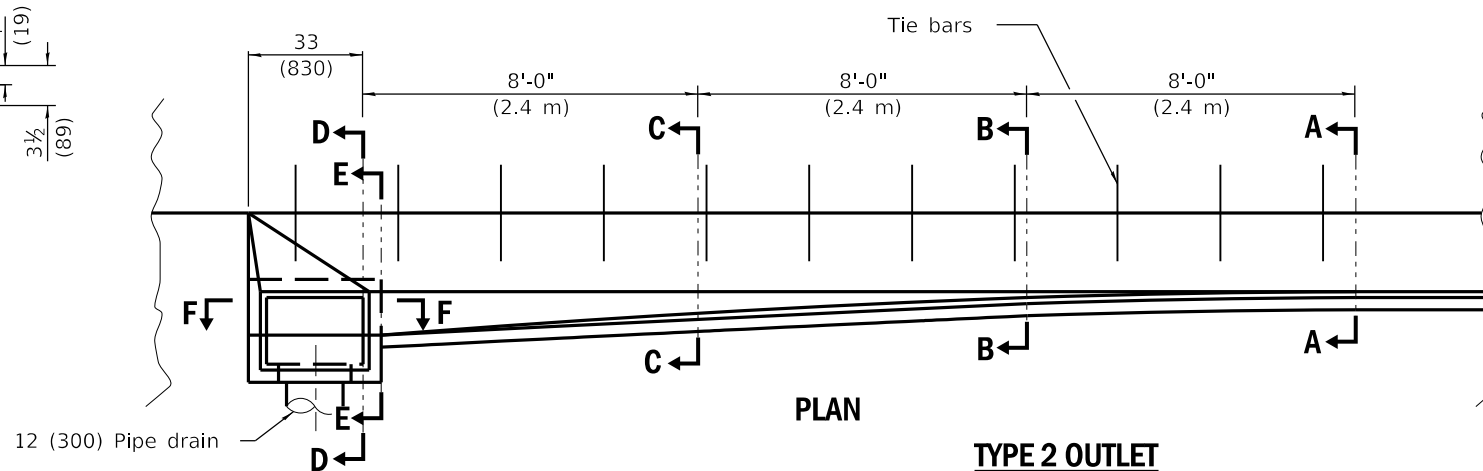
SECTION C-C



SECTION B-B



SECTION A-A



TYPE 2 OUTLET

QUANTITIES

2.07 cu. yds. (1.58 m³) concrete for 9 (225) pav't.

2.07 cu. yds. (1.60 m³) concrete for 10 (250) pav't.

All dimensions are in inches (millimeters) unless otherwise shown.

OUTLETS FOR CONCRETE CURB AND GUTTER TYPE B-6.24 (B-15.60)

(Sheet 2 of 2)

STANDARD 606006-04

Illinois Department of Transportation

PASSED January 1, 2018
Michael Brand
 ENGINEER OF POLICY AND PROCEDURES

APPROVED January 1, 2018
Marcus M. Beck
 ENGINEER OF DESIGN AND ENVIRONMENT

ISSUED 66-1-1-18