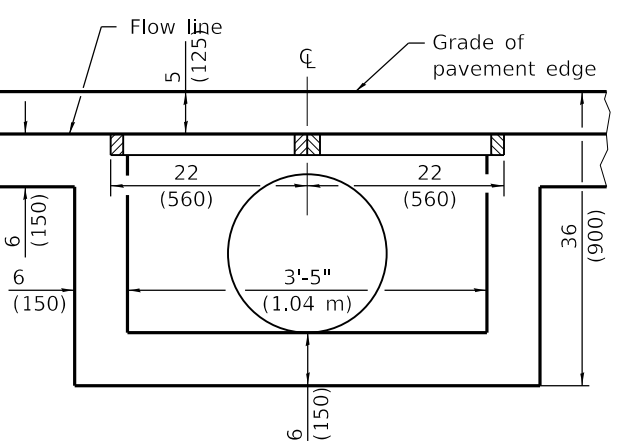
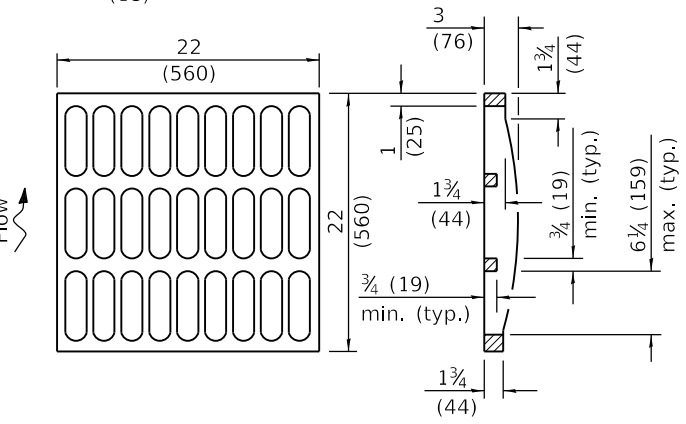
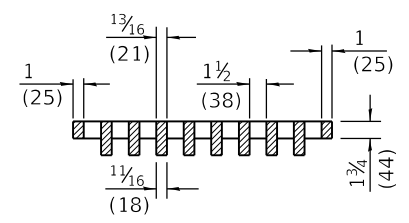


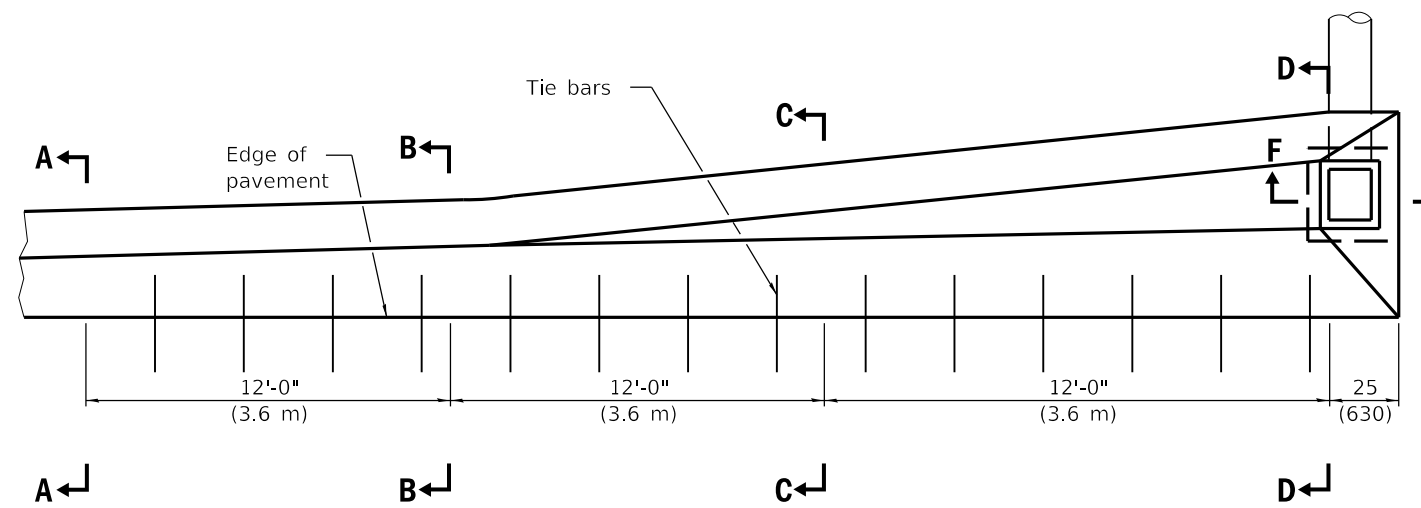
PLAN-DOUBLE OUTLET



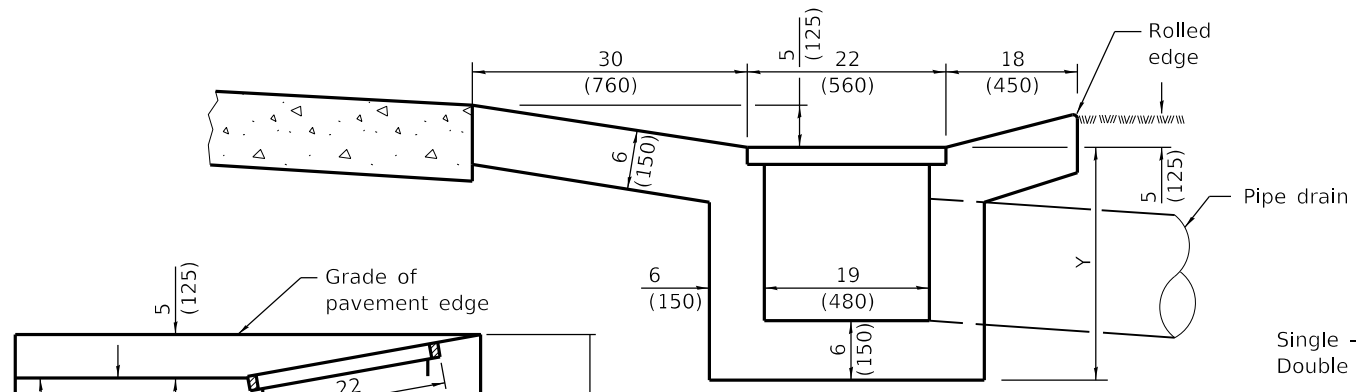
SECTION E-E



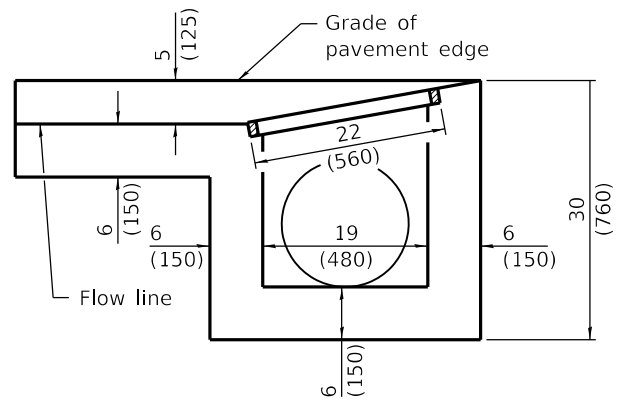
GRATE TYPE A



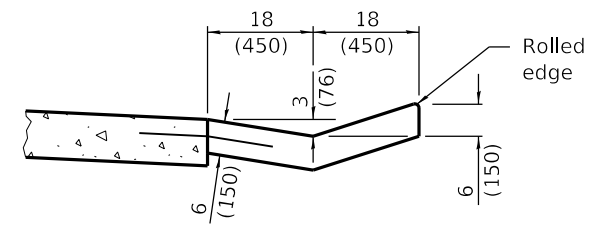
PLAN-SINGLE OUTLET



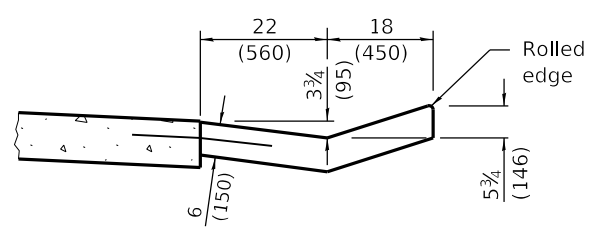
SECTION D-D



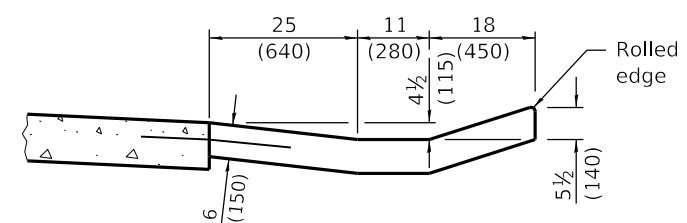
SECTION F-F



SECTION A-A



SECTION B-B



SECTION C-C

QUANTITIES

Material	Single	Double
Concrete - cu. yd. (m ³)	3.3 (2.5)	6.5 (5)
Cast Iron Grate - Ea.	1	2
Pipe Drain - Dia. in. (mm)	15 (375)	18 (450)

GENERAL NOTES

The gutter outlet shall be tied to the pavement in accordance with details for longitudinal construction joint shown on Standard 420001.

Tie bars shall be No. 6 (No. 19) at 36 (900) centers unless otherwise shown.

If the average grade of pavement for the distance A-D exceeds 2%, this distance shall be increased 6' (1.8 m) for each 1% increase in grade.

All dimensions are in inches (millimeters) unless otherwise shown.

Single - Y = 25 (635)
Double - Y = 31 (775)

DATE	REVISIONS
1-1-18	Revised General Notes for tie bar spacing of 36 (900) cts.
1-1-09	Switched units to English (metric).

OUTLET TYPE 1 FOR TYPE A GUTTER

STANDARD 606106-05

Illinois Department of Transportation

PASSED January 1, 2018
Michael Beard
ENGINEER OF POLICY AND PROCEDURES

APPROVED January 1, 2018
Maurice M. Adams
ENGINEER OF DESIGN AND ENVIRONMENT

ISSUED 46-1-1-18