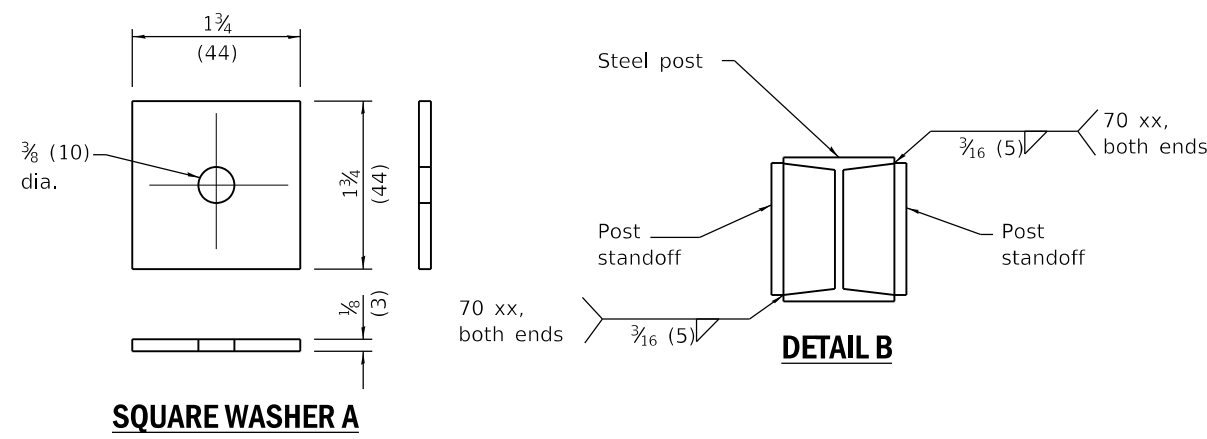
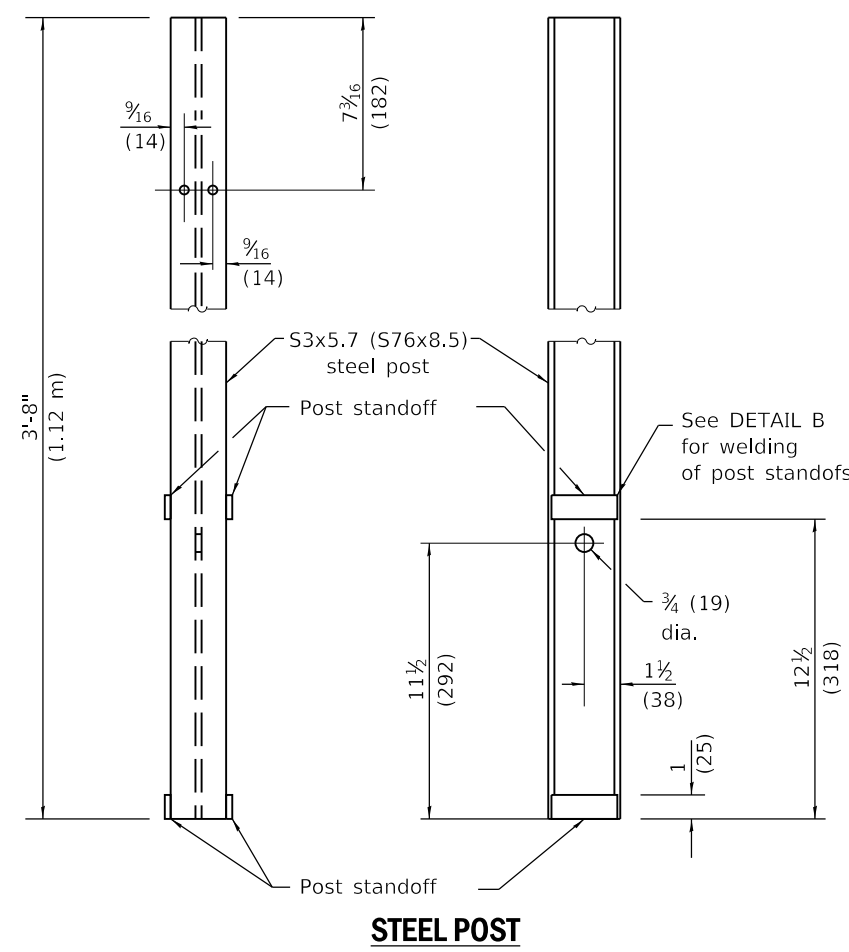


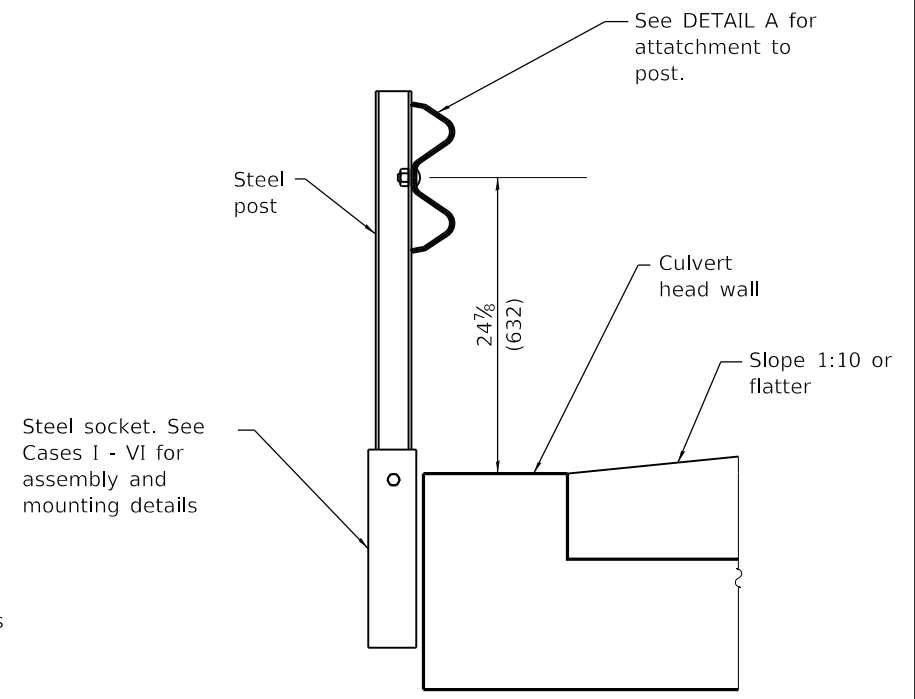
PLAN



DETAIL B



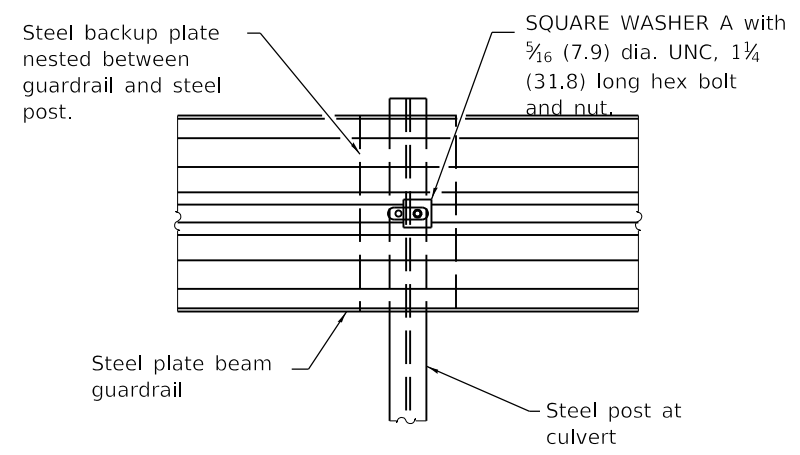
STEEL POST



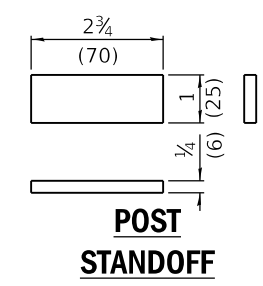
SECTION A-A

GENERAL NOTES

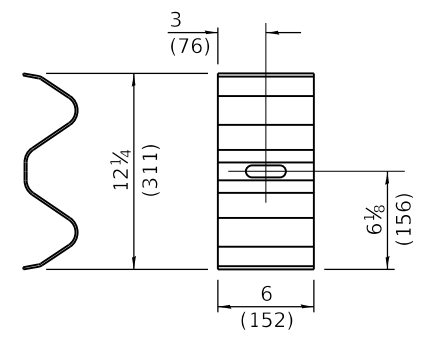
- See Standard 630001 for details of guardrail not shown.
- See Standard 630006 for details of non-blocked guardrail not shown.
- All threaded rods and bolts shall be installed with heavy hex nuts and standard washers unless noted otherwise.
- All dimensions are in inches (millimeters) unless otherwise shown.



DETAIL A



POST STANDOFF



BACKUP PLATE

Illinois Department of Transportation

PASSED January 1, 2020
Michael Bond
 ENGINEER OF POLICY AND PROCEDURES

APPROVED January 1, 2020
J. C. Egan
 ENGINEER OF DESIGN AND ENVIRONMENT

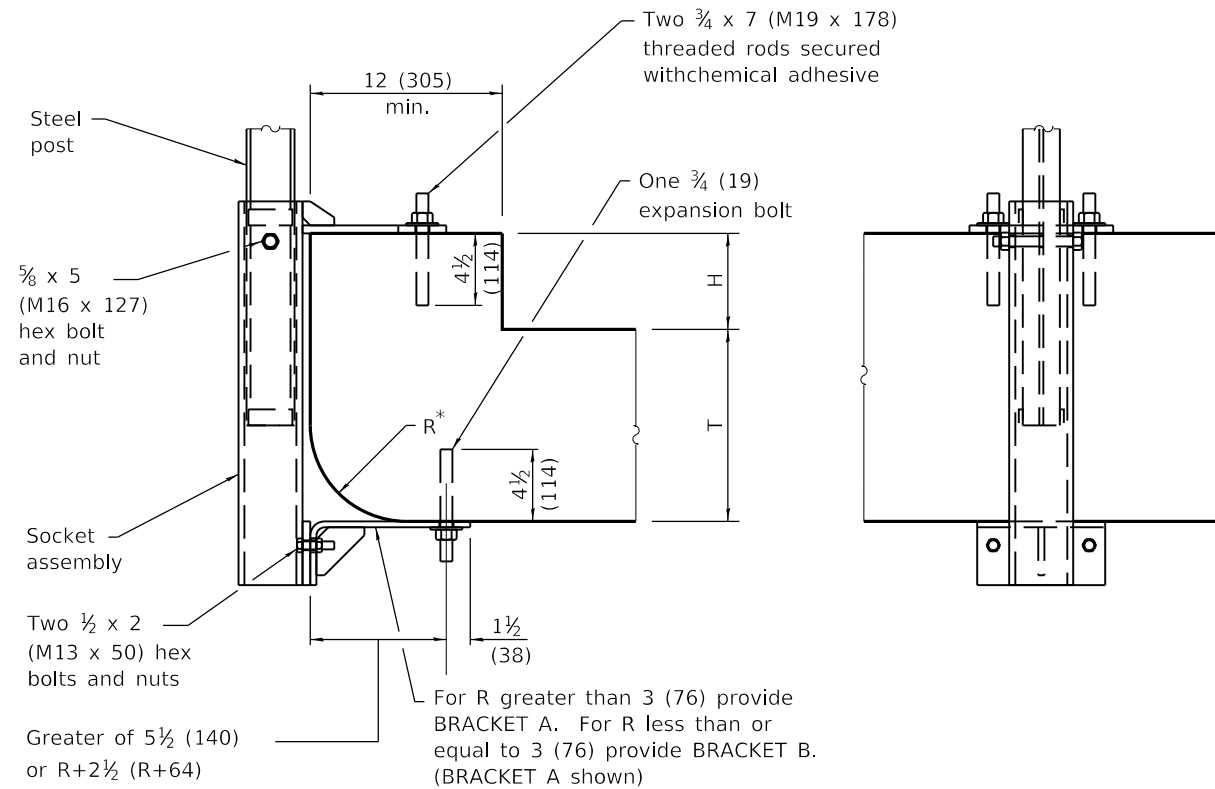
ISSUED 1-1-17

DATE	REVISIONS
1-1-20	Revised HHS to HSS in Top View on sheets 2-5.
1-1-17	New Standard.

WEAK POST GUARDRAIL ATTACHED TO CULVERT

(Sheet 1 of 6)

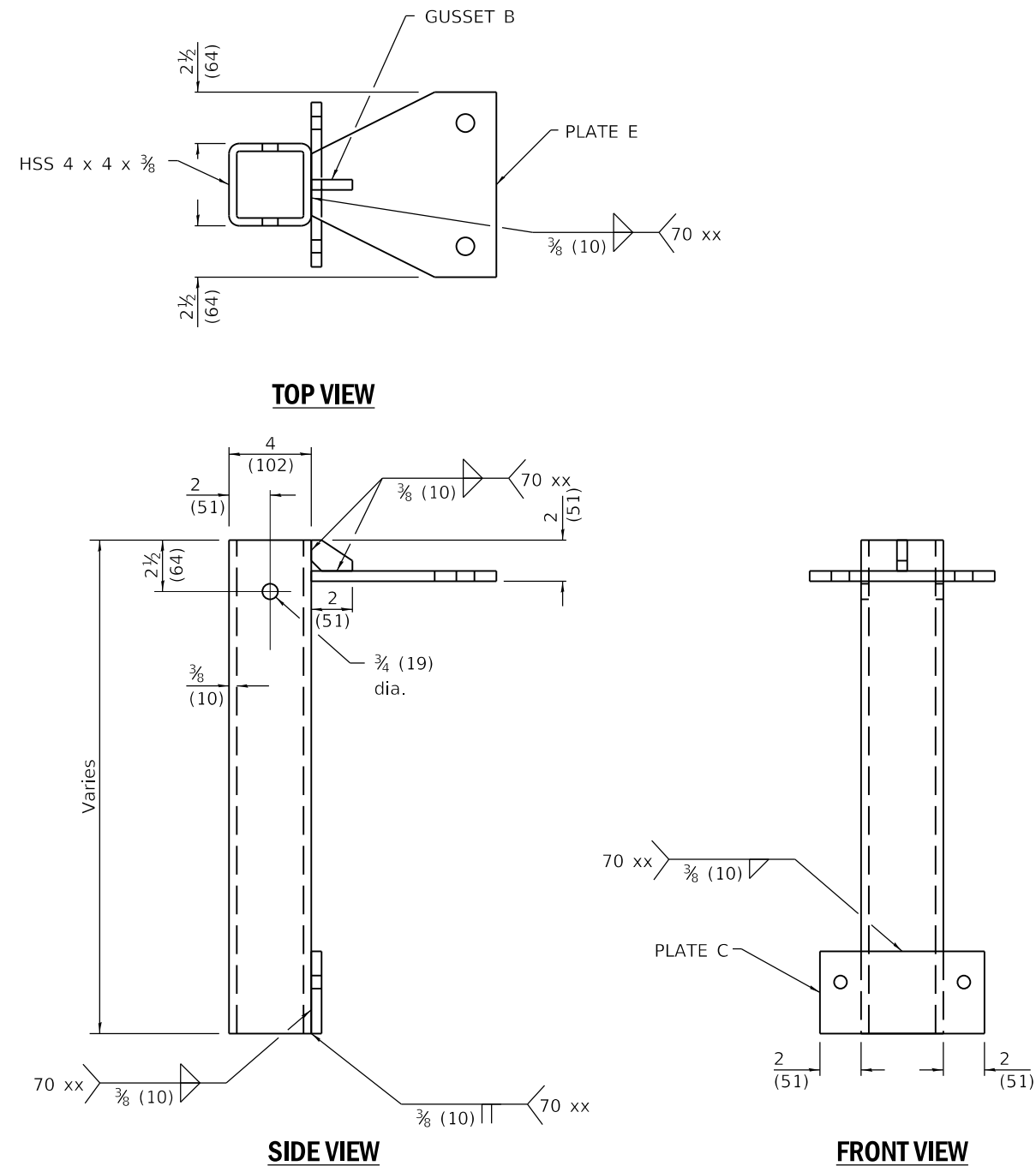
STANDARD 630111-01



CROSS SECTION

ELEVATION

CASE I, (H+T-R) < 18 (457), TOP MOUNT



TOP VIEW

SIDE VIEW

FRONT VIEW

SOCKET ASSEMBLY FOR CASE I

Illinois Department of Transportation

PASSED January 1, 2020
Michael Bond
 ENGINEER OF POLICY AND PROCEDURES

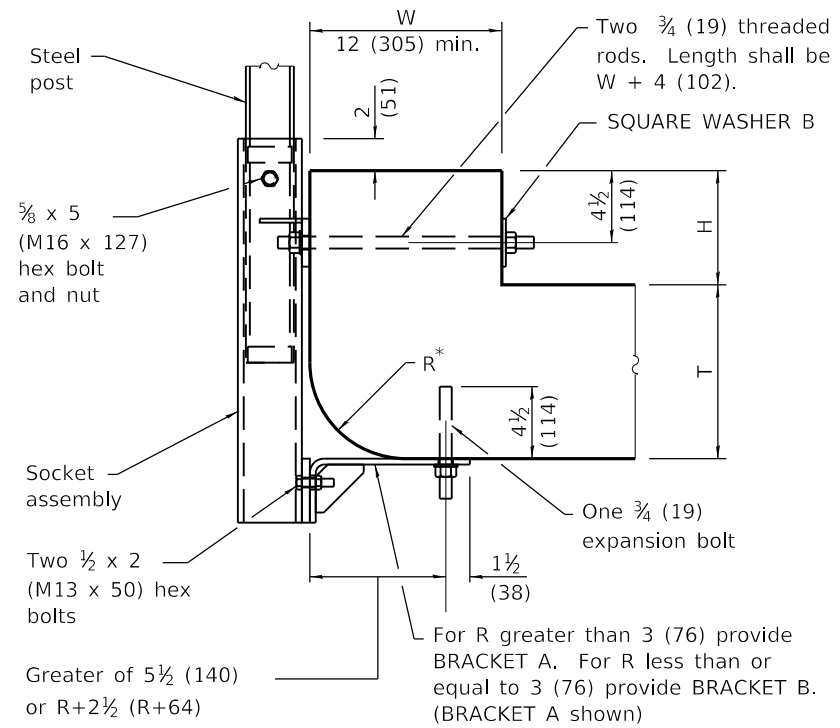
APPROVED January 1, 2020
J. S. Egan
 ENGINEER OF DESIGN AND ENVIRONMENT

ISSUED 1-1-17

WEAK POST GUARDRAIL ATTACHED TO CULVERT

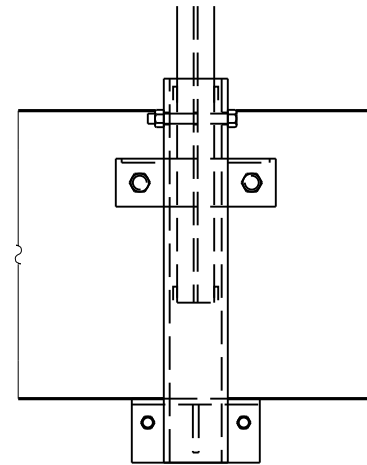
(Sheet 2 of 6)

STANDARD 630111-01

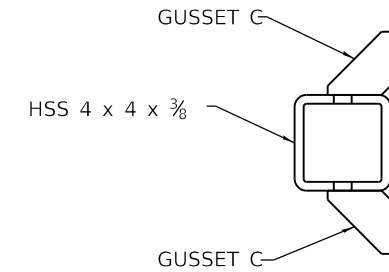


CROSS SECTION

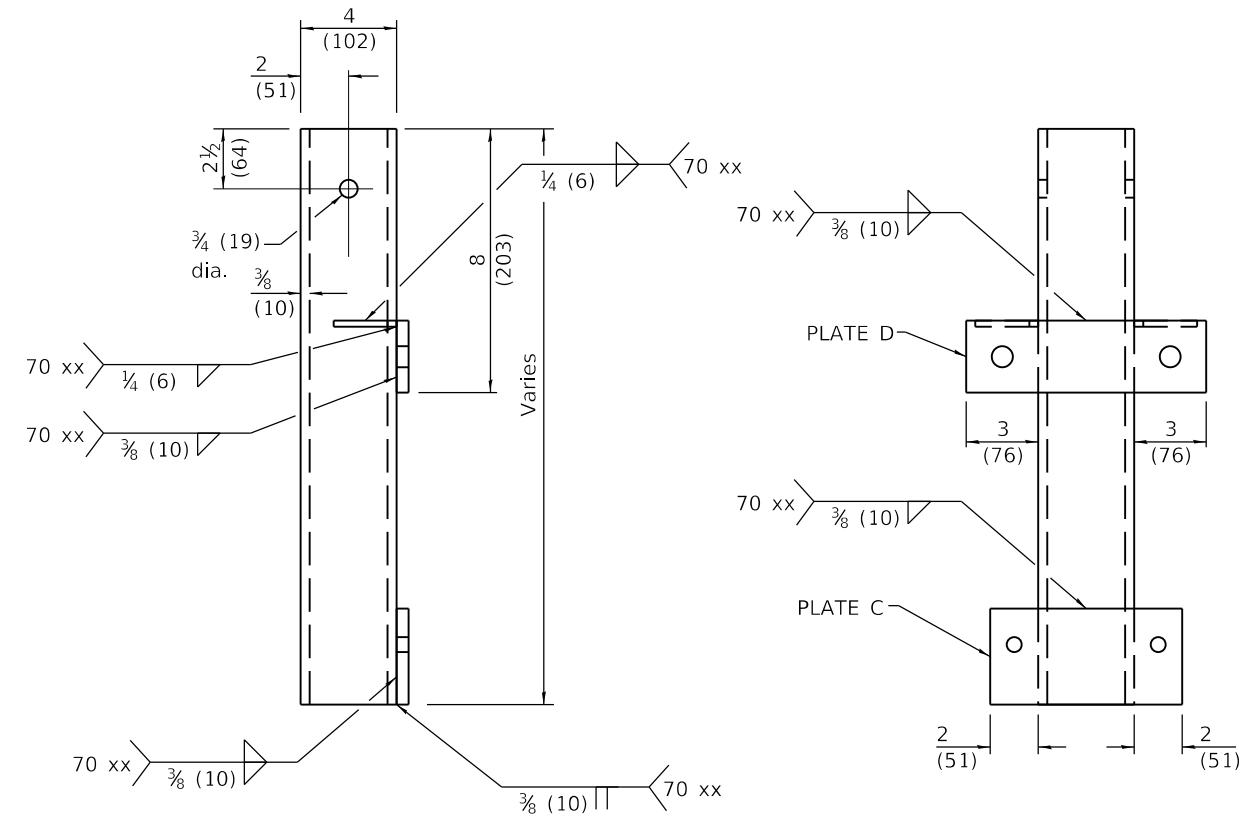
CASE II, (H+T-R) < 18 (457), SIDE-MOUNT THROUGH-BOLT



ELEVATION



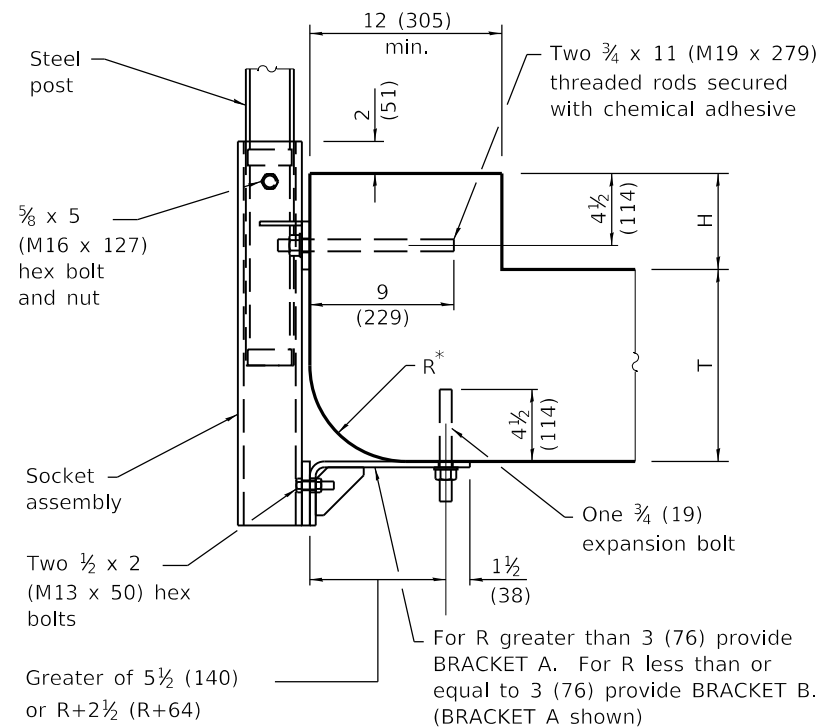
TOP VIEW



SIDE VIEW

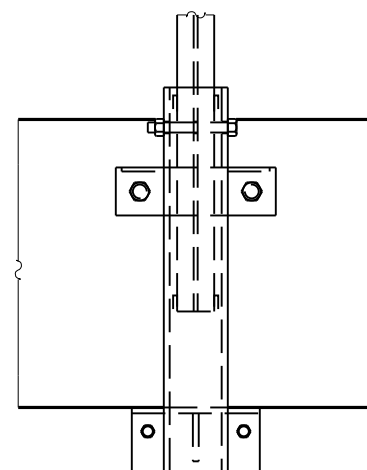
FRONT VIEW

SOCKET ASSEMBLY FOR CASES II & III



CROSS SECTION

CASE III, (H+T-R) < 18 (457), SIDE-MOUNT ANCHORED



ELEVATION

Illinois Department of Transportation

PASSED January 1, 2020
Michael Bond
 ENGINEER OF POLICY AND PROCEDURES

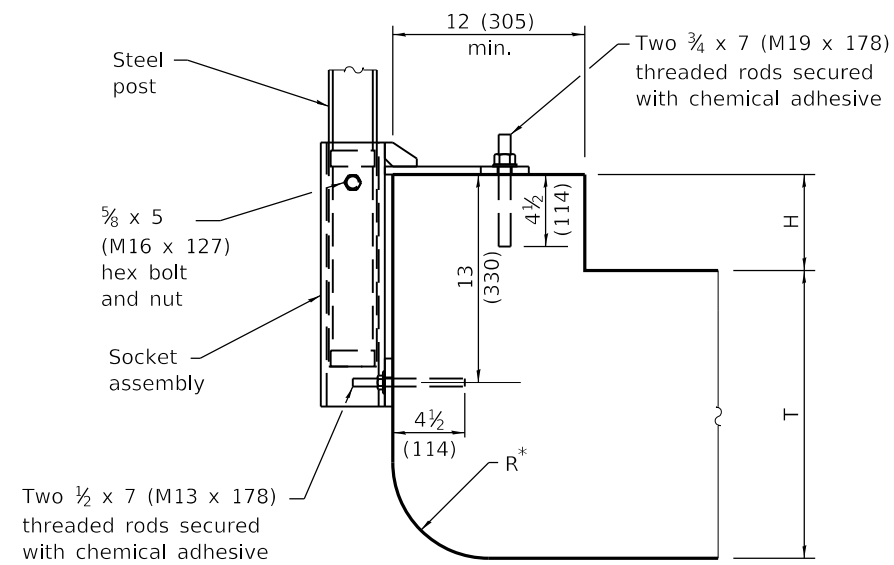
APPROVED January 1, 2020
J. S. Ch. E. G.
 ENGINEER OF DESIGN AND ENVIRONMENT

ISSUED 1-1-17

WEAK POST GUARDRAIL ATTACHED TO CULVERT

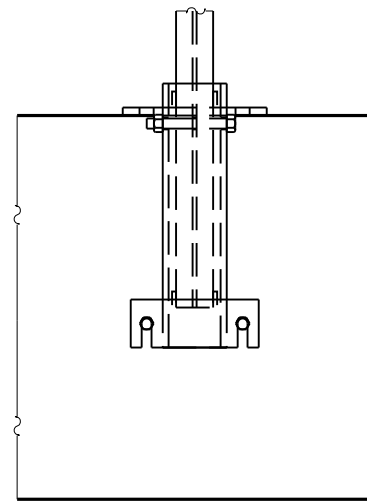
(Sheet 3 of 6)

STANDARD 630111-01



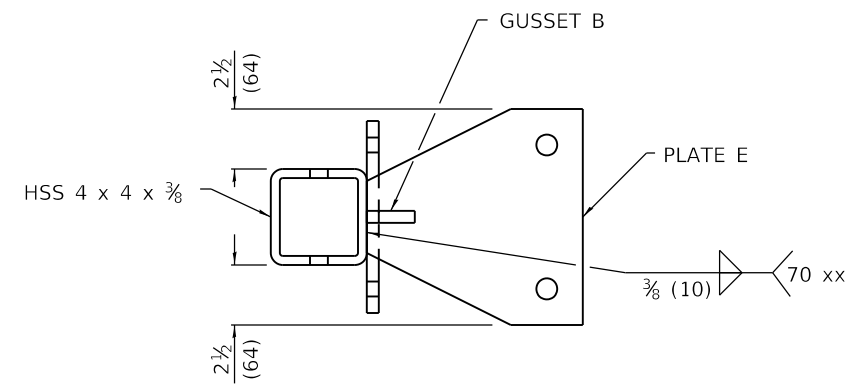
* R varies between 0 to 6 (152)

CROSS SECTION

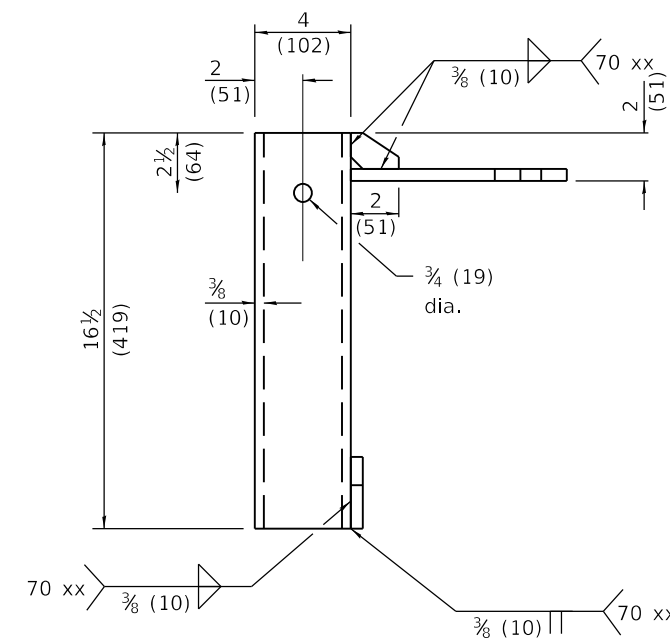


ELEVATION

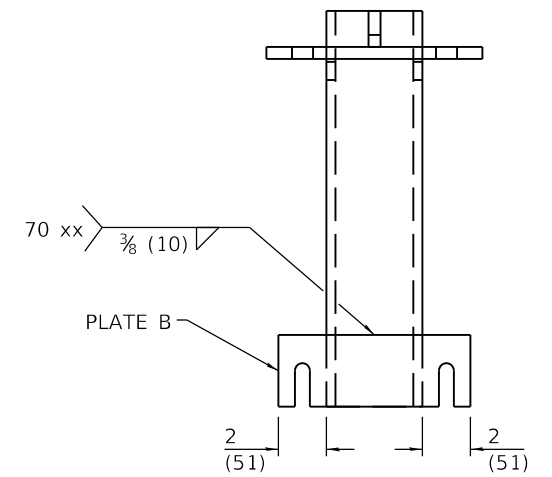
CASE IV, (H+T-R) ≥ 18 (457), TOP MOUNT



TOP VIEW



SIDE VIEW



FRONT VIEW

**SOCKET ASSEMBLY
FOR CASE IV**

Illinois Department of Transportation

PASSED January 1, 2020
Michael Bond
 ENGINEER OF POLICY AND PROCEDURES

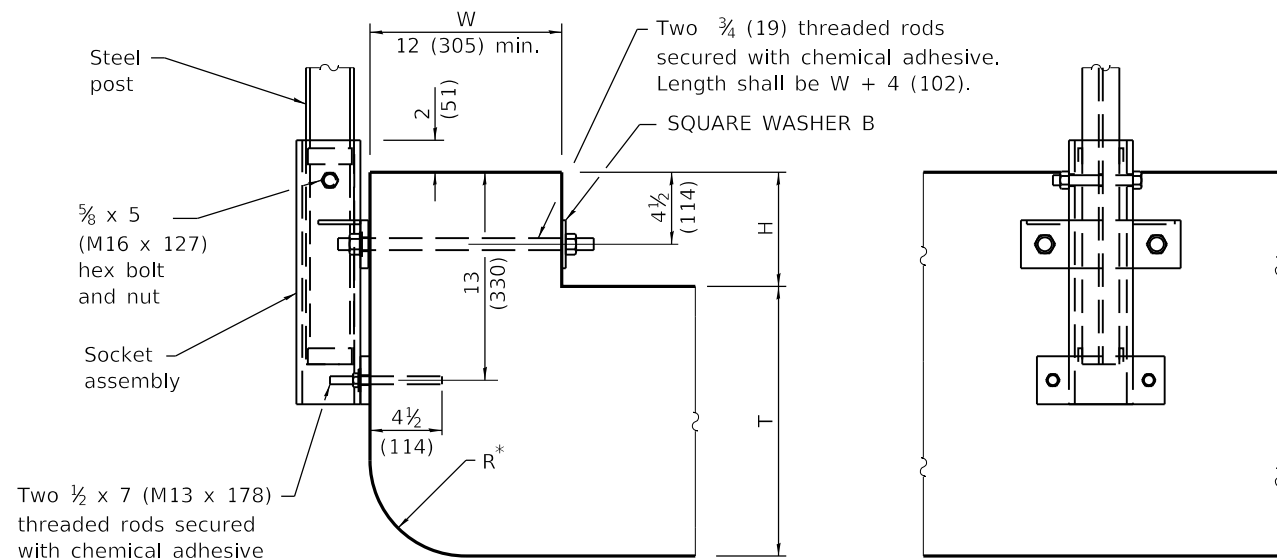
APPROVED January 1, 2020
J. Ch. E. G.
 ENGINEER OF DESIGN AND ENVIRONMENT

ISSUED 1-1-17

**WEAK POST GUARDRAIL
ATTACHED TO CULVERT**

(Sheet 4 of 6)

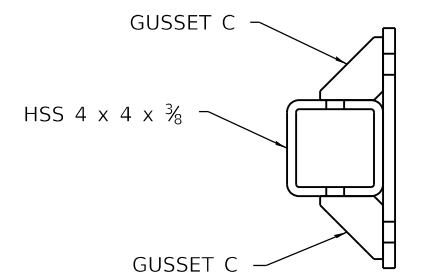
STANDARD 630111-01



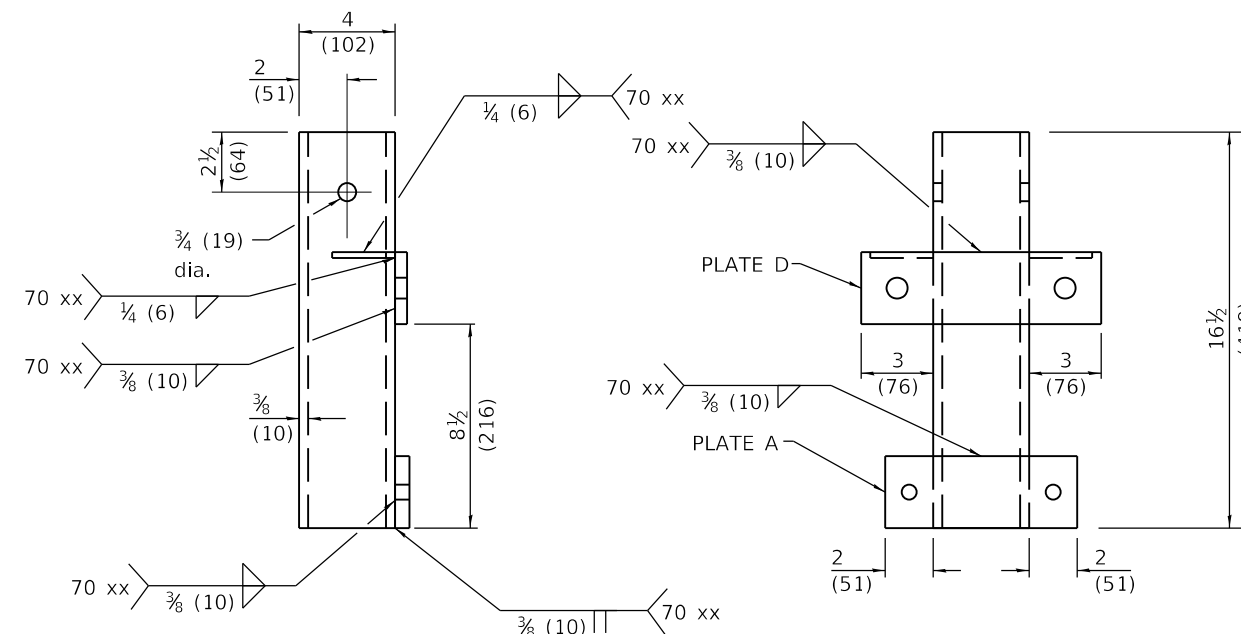
CROSS SECTION

ELEVATION

CASE V, (H+T-R) ≥ 18 (457), SIDE-MOUNT, THROUGH-BOLT



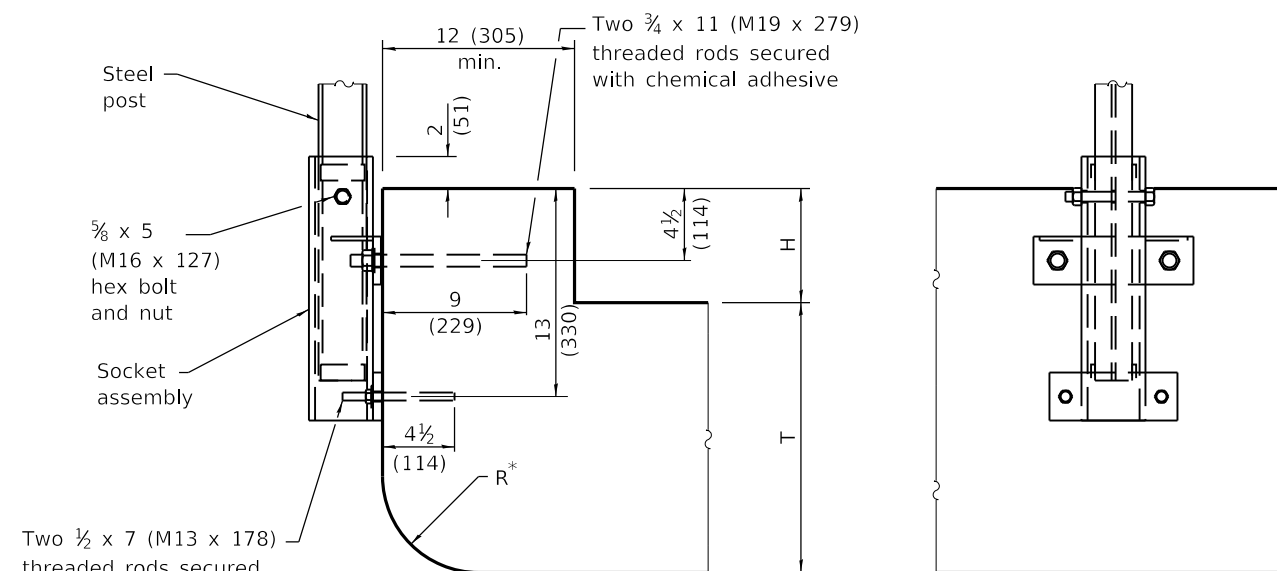
TOP VIEW



SIDE VIEW

FRONT VIEW

SOCKET ASSEMBLY FOR CASES V & VI



CROSS SECTION

ELEVATION

CASE VI, (H+T-R) ≥ 18 (457), SIDE-MOUNT ANCHORED

Illinois Department of Transportation

PASSED January 1, 2020
Michael Bond
 ENGINEER OF POLICY AND PROCEDURES

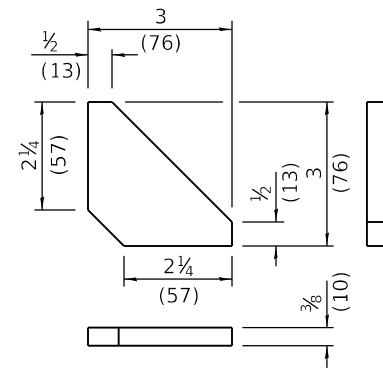
APPROVED January 1, 2020
J. C. Egan
 ENGINEER OF DESIGN AND ENVIRONMENT

ISSUED 1-1-17

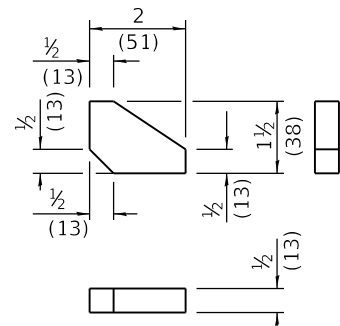
WEAK POST GUARDRAIL ATTACHED TO CULVERT

(Sheet 5 of 6)

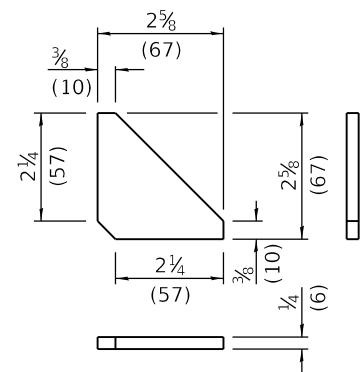
STANDARD 630111-01



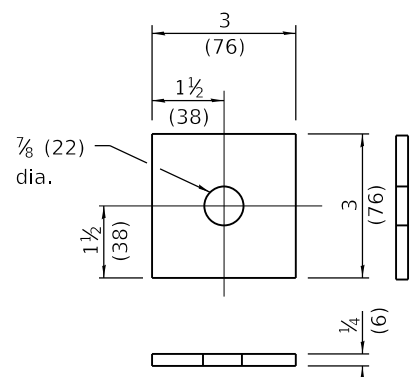
GUSSET A



GUSSET B



GUSSET C



SQUARE WASHER B

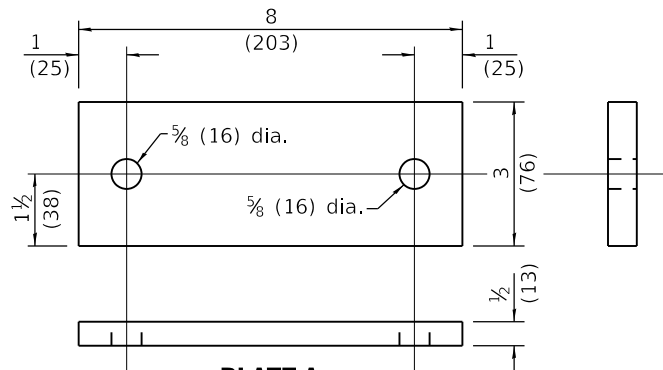


PLATE A

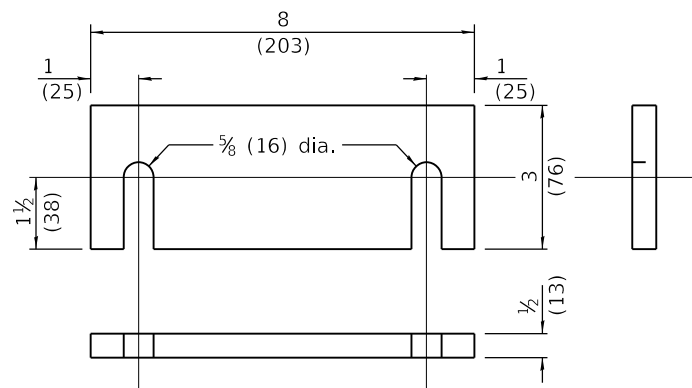


PLATE B

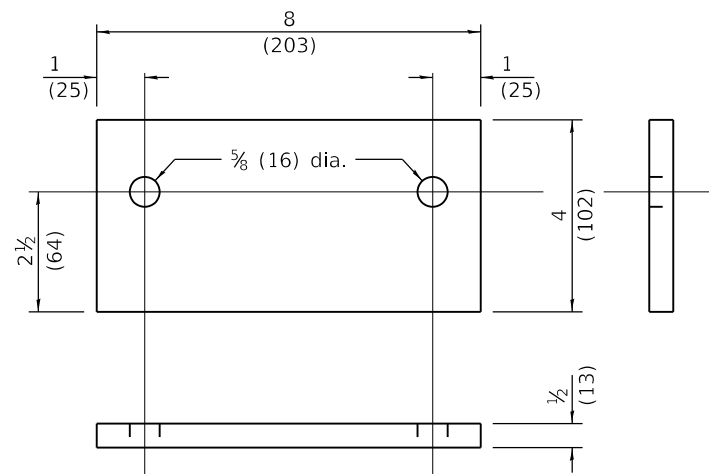


PLATE C

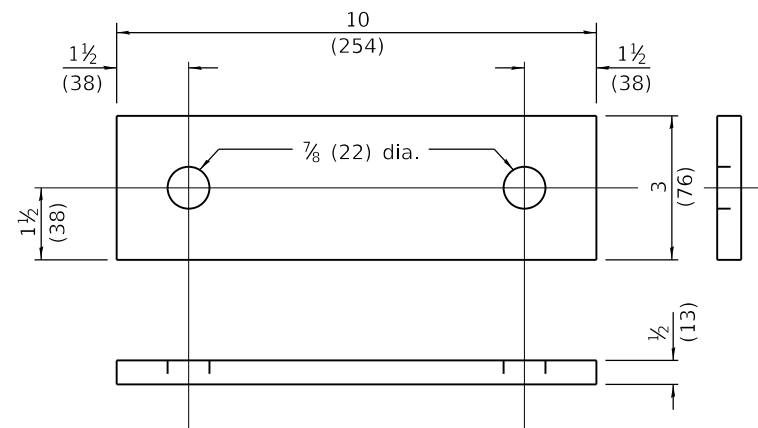
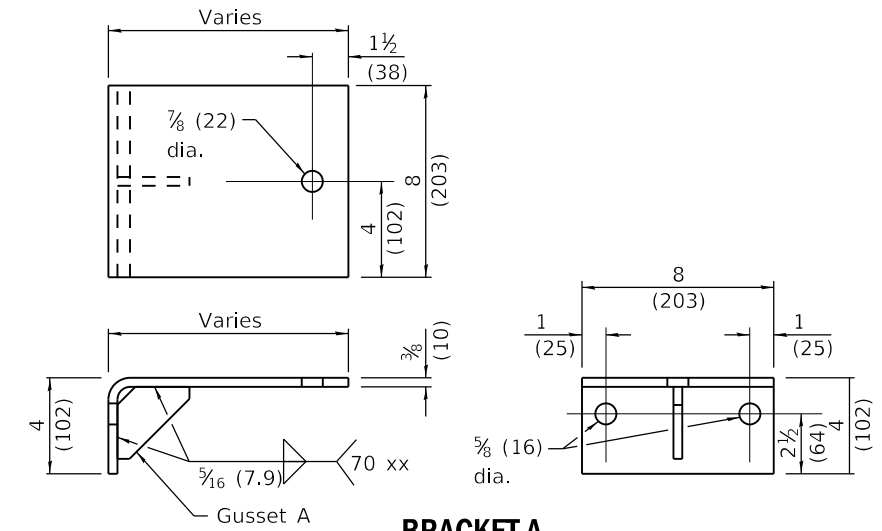
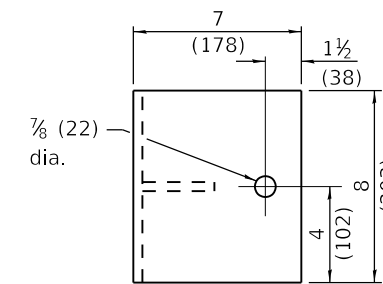


PLATE D



BRACKET A



BRACKET B

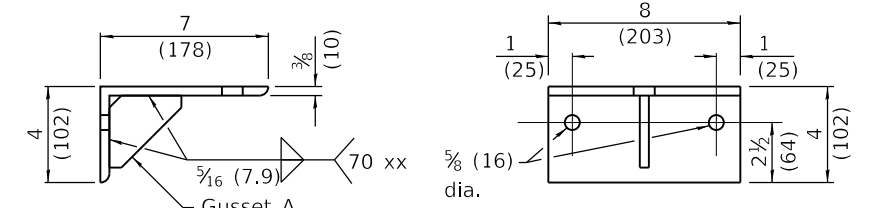
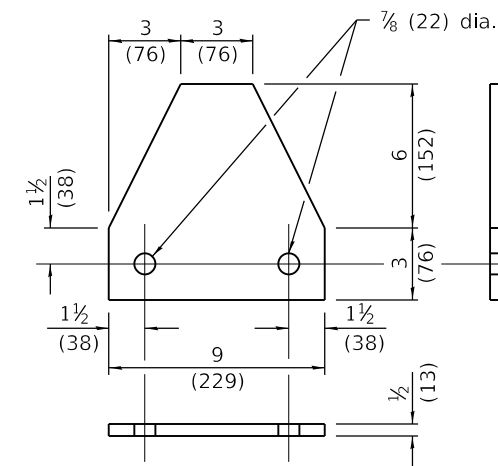


PLATE E



**WEAK POST GUARDRAIL
ATTACHED TO CULVERT**

(Sheet 6 of 6)

STANDARD 630111-01

Illinois Department of Transportation

PASSED January 1, 2020
Michael Bond
 ENGINEER OF POLICY AND PROCEDURES

APPROVED January 1, 2020
J. S. Ch. E. G.
 ENGINEER OF DESIGN AND ENVIRONMENT

ISSUES 4-1-1 03/05/11