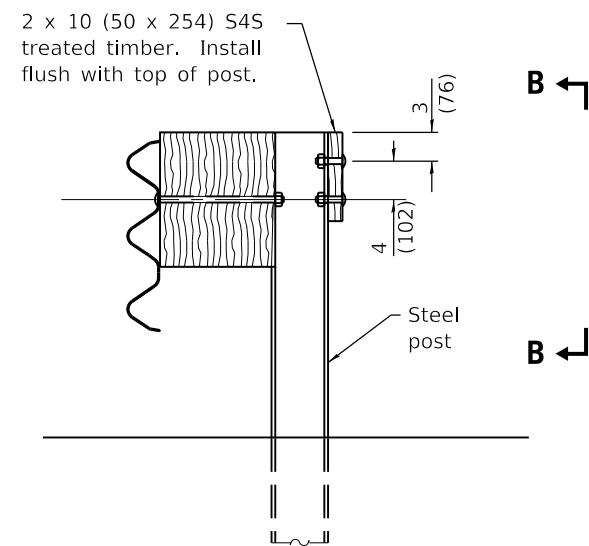
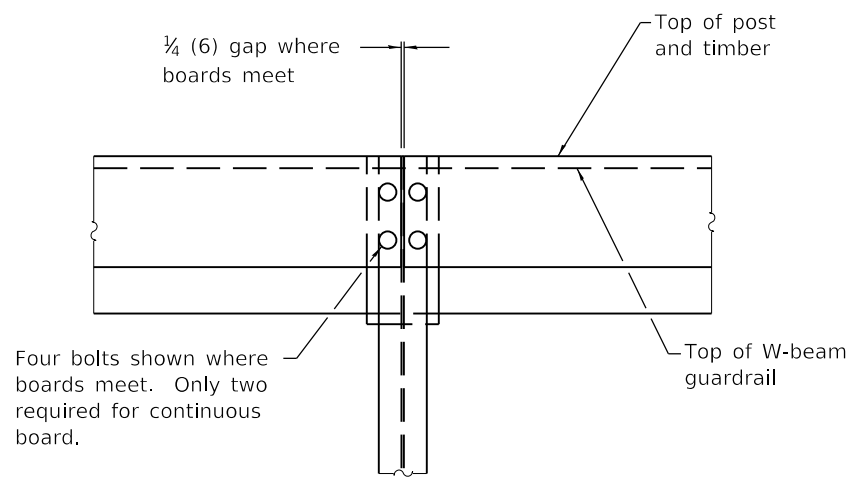


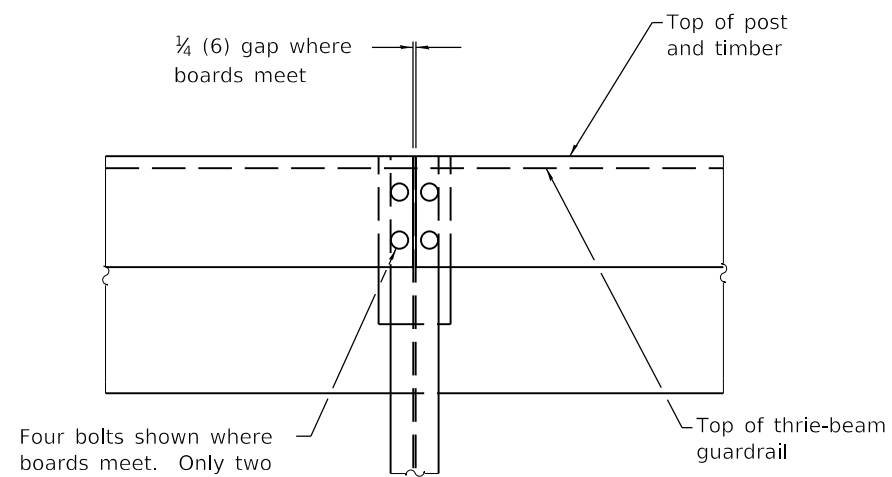
**ELEVATION WITH  
W-BEAM GUARDRAIL**



**ELEVATION WITH  
THRIE-BEAM GUARDRAIL**



**VIEW A-A**



**VIEW B-B**

**GENERAL NOTES**

For details of guardrail elements not shown, see Standard 630001.

All dimensions are in inches (millimeters) unless otherwise shown.

Illinois Department of Transportation

PASSED January 1, 2017  
*Michael Beard*  
ENGINEER OF POLICY AND PROCEDURES

APPROVED January 1, 2017  
*Marcus M. Adams*  
ENGINEER OF DESIGN AND ENVIRONMENT

ISSUED 1-1-17

DATE	REVISIONS
1-1-17	New standard.

**BACK SIDE PROTECTION  
OF GUARDRAIL**

**STANDARD 630116**