

TYPE 5 - CONCRETE BRIDGE PARAPET

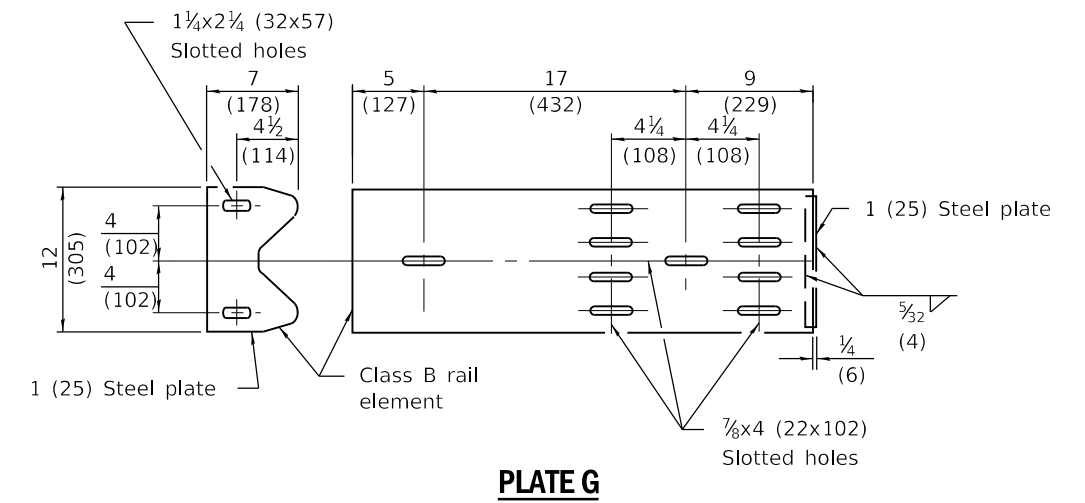
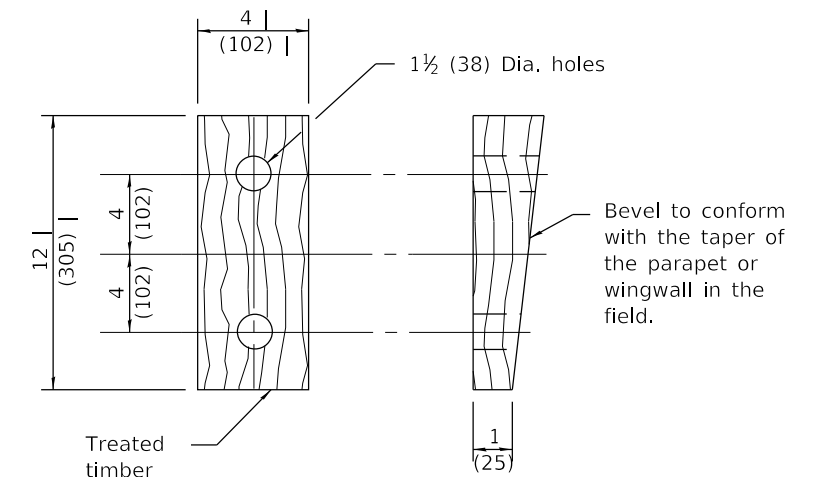
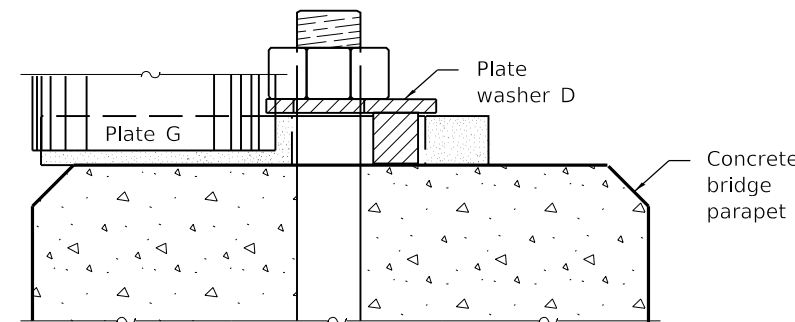


PLATE G



WEDGE M



PLACEMENT OF PLATE WASHER D

(PLAN)

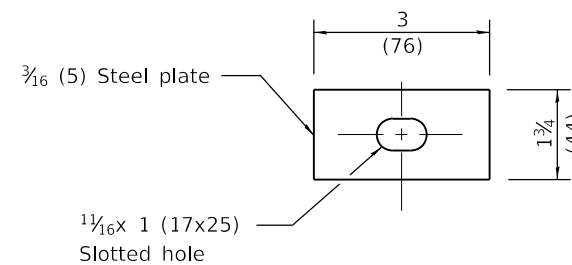


PLATE WASHER F

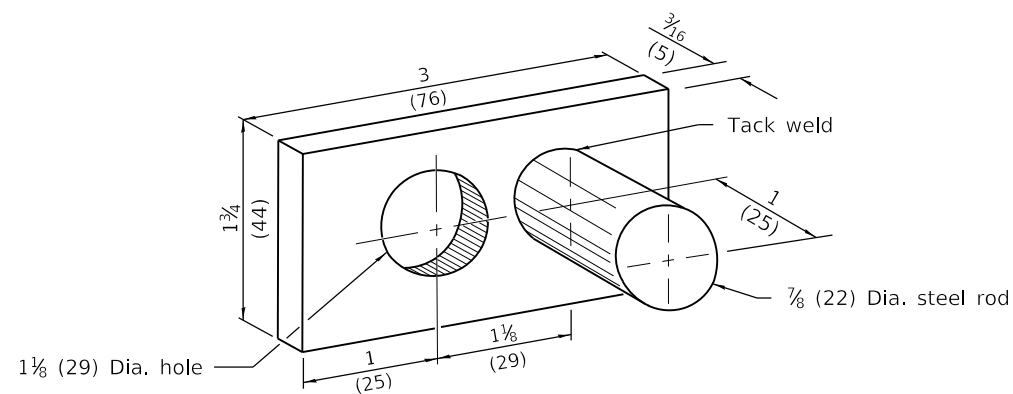


PLATE WASHER D

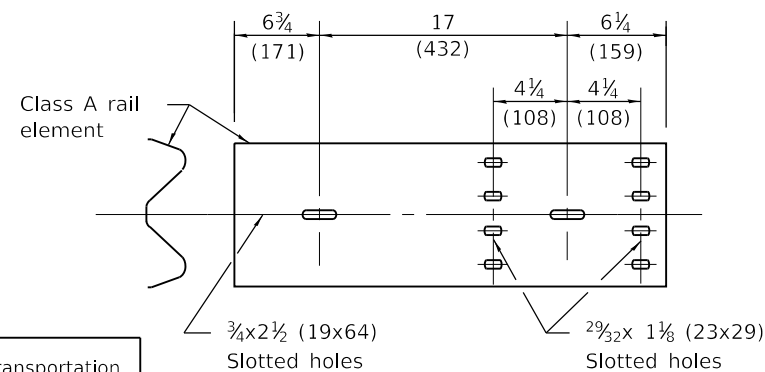


PLATE E

GENERAL NOTES

Install plate washer D so the 1 (25) projection fills the remainder of the slotted holes in the 1 (25) end plate on plate G after the 1 (M24) dia. bolts are in place.

* When an expansion joint exists below the connector, bolts shall be provided with a locknut or double nuts and shall be tightened only to a point that will allow plate G to be free to move.

See Standard 630001 for details of guardrail not shown.

All dimensions are in inches (millimeters) unless otherwise shown.

DATE	REVISIONS
1-1-15	Revised post spacing dimensions on elevation.
1-1-09	Switched units to English (metric).

TRAFFIC BARRIER TERMINAL, TYPE 5

STANDARD 631026-06

Illinois Department of Transportation

PASSED January 1, 2015
Michael Beard
 ENGINEER OF POLICY AND PROCEDURES

APPROVED January 1, 2015
[Signature]
 ENGINEER OF DESIGN AND ENVIRONMENT

ISSUED 1-1-15
 7-1-9