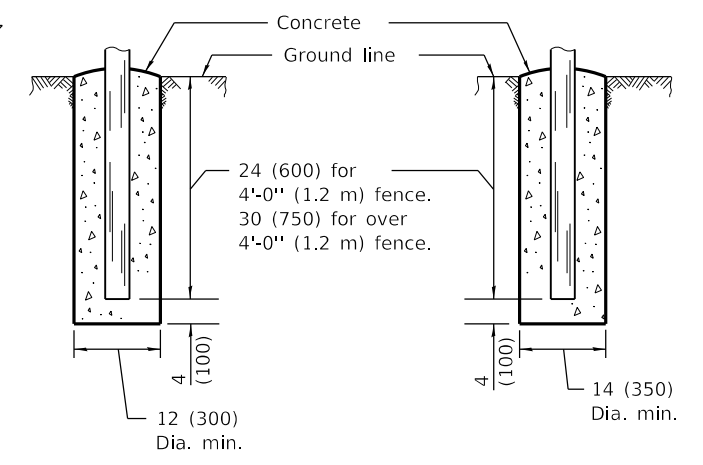


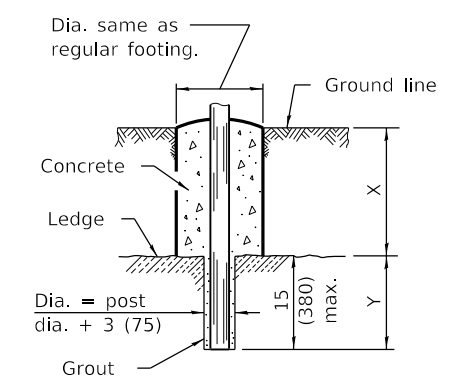
**PEDESTRIAN GATE ARRANGEMENT**

**VEHICLE GATE ARRANGEMENT**

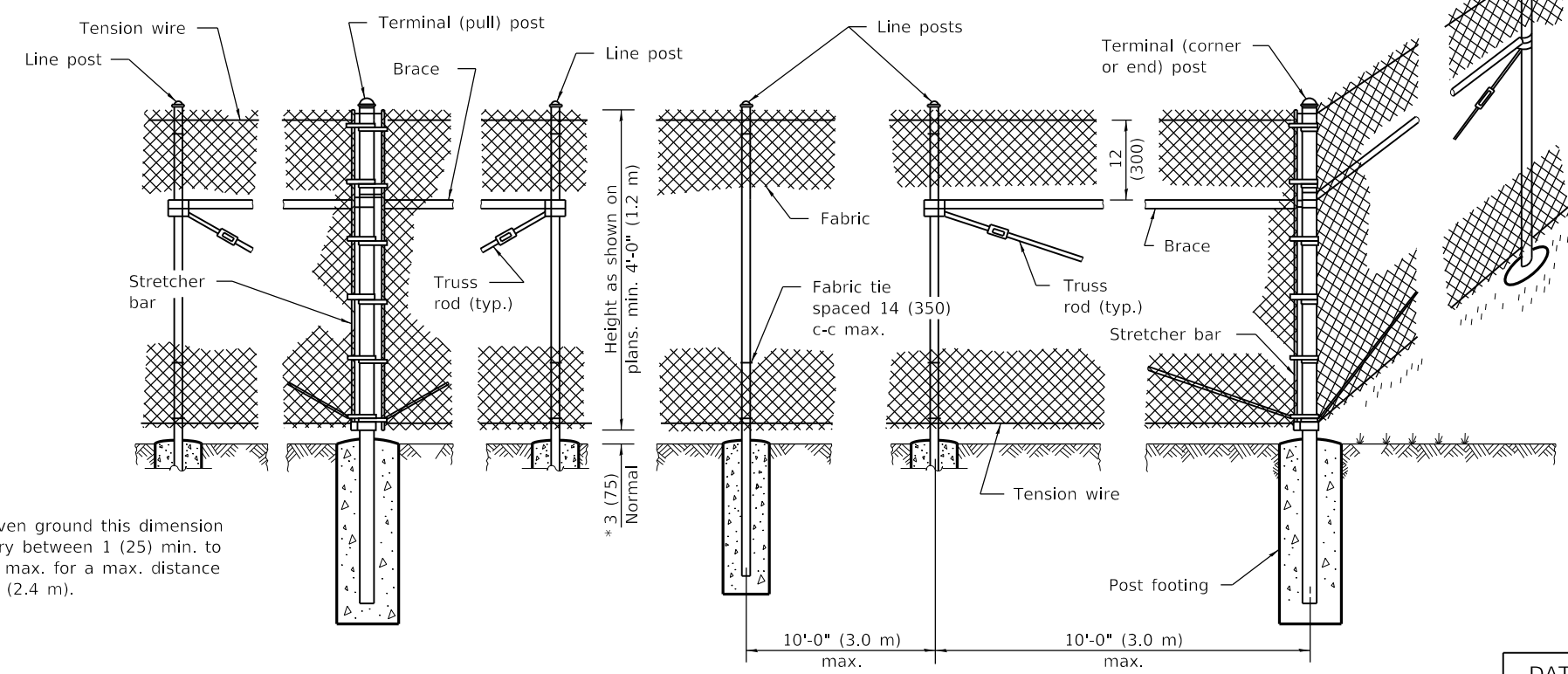


**FOOTING FOR LINE POST**

**FOOTING FOR GATE & TERMINAL POST**



**FOOTING FOR POST IN ROCK LEDGE**



**PULL POST ARRANGEMENT**

**LINE POST ARRANGEMENT**

**CORNER OR END POST ARRANGEMENT**

\* On uneven ground this dimension may vary between 1 (25) min. to 5 (125) max. for a max. distance of 8'-0" (2.4 m).

**GENERAL NOTES**  
 Pull posts shall be placed at locations determined by the Engineer. They shall be placed at 660' (200 m) intervals between posts to which the ends of the fabric are clamped or midway between such posts when the distance is less than 1320' (400 m) and greater than 660' (200 m).  
 X + Y shall not exceed 24 (600), 30 (750), or 36 (900), as applicable. When X is 0 - 9 (0 - 225), 15 (380), or 21 (525), then Y = 15 (375) and the post shall be shortened as required. When X exceeds 9 (225), 15 (380), or 21 (525), then Y shall be decreased correspondingly.

All dimensions are in inches (millimeters) unless otherwise shown.

Illinois Department of Transportation

PASSED January 1, 2009

ENGINEER OF POLICY AND PROCEDURES

APPROVED January 1, 2009

ENGINEER OF DESIGN AND ENVIRONMENT

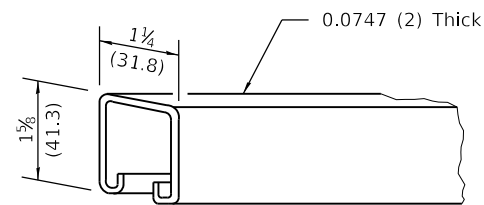
ISSUED 1-1-97

DATE	REVISIONS
1-1-09	Switched units to English (metric).
1-1-99	Rev. "pans" to "plans" in LINE POST ARRANGEMENT.

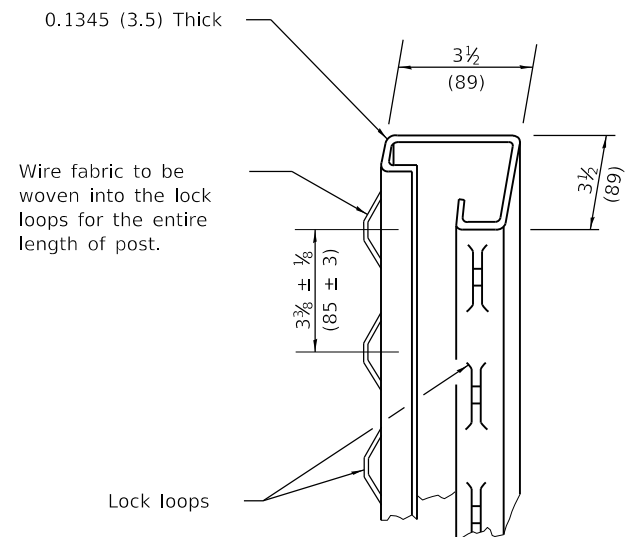
**CHAIN LINK FENCE**

(Sheet 1 of 3)

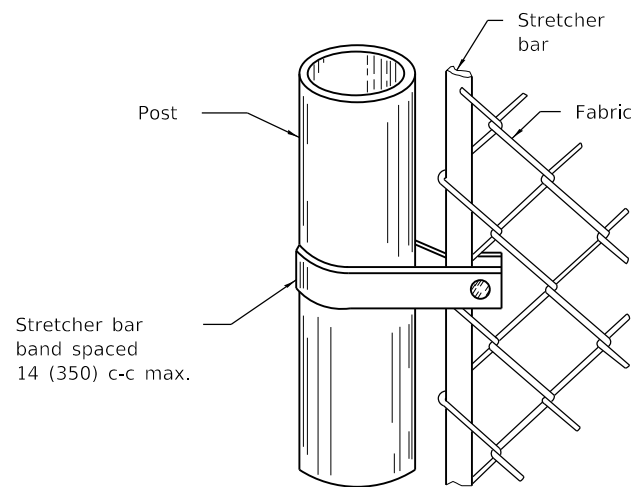
**STANDARD 664001-02**



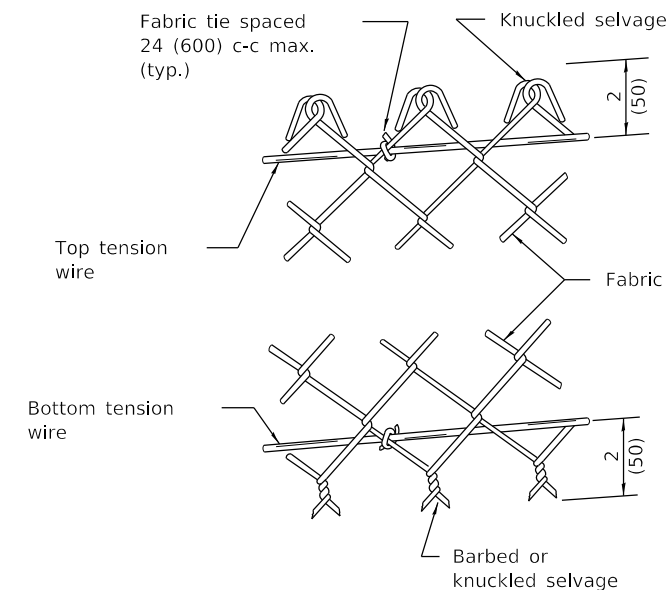
**ROLL FORMED SECTION OF BRACE**



**ROLL FORMED SECTION OF TERMINAL & GATE POST**



**METHOD OF FASTENING STRETCHER BAR TO POST**



**METHOD OF TYING FABRIC TO TENSION WIRES**

LINE POST	
Section	lbs./ft. (kg/m)
Pipe Type A 1.90 (48.3) O.D.	2.72 (4.05)
Pipe Type B 1.90 (48.3) O.D.	2.28 (3.39)
Pipe Type C 1.90 (48.3) O.D.	2.26 (3.36)
H 1.875x1.625 (47.6x41.3)	2.72 (4.05)
C	1.60 (2.38)
I	2.30 (3.42)

TERMINAL POST	
Section	lbs./ft. (kg/m)
Pipe Type A 2.375 (60.3) O.D.	3.65 (5.43)
Pipe Type B 2.375 (60.3) O.D.	3.11 (4.63)
Pipe Type C 2.375 (60.3) O.D.	3.09 (4.60)
Roll Formed 3 1/2 x 3 1/2 (89.0 x 89.0)	See detail
Sq. Tubing 2 1/2 x 2 1/2 (63.5 x 63.5)	4.32 (6.43)

HORIZONTAL BRACES	
Section	lbs./ft. (kg/m)
Pipe Type A 1.66 (42.2) O.D.	2.27 (3.38)
Pipe Type B 1.66 (42.2) O.D.	1.83 (2.72)
Pipe Type C 1.66 (42.2) O.D.	1.82 (2.71)
H 1.31x1.5 (33.3x38.1)	2.25 (3.35)
Roll Formed 1 3/8 x 1 1/4 (41.3 x 31.8)	See detail

GATE FRAMES	
Section	lbs./ft. (kg/m)
Pipe Type A 1.66 (42.2) O.D.	2.27 (3.38)
Pipe Type B 1.66 (42.2) O.D.	1.83 (2.72)
Pipe Type C 1.66 (42.2) O.D.	1.82 (2.71)

GATE POSTS *							
Gate Opening * ft. (m)		Pipe Type A		Sq. Tubing		Pipe Type B	
Single	Double	Size (O.D.)	lbs./ft. (kg/m)	Size	lbs./ft. (kg/m)	Size (O.D.)	kg/m (lbs./ft.)
Up to 4 (1.2)	Up to 8 (2.5)	2.375 (60.3)	3.65 (5.43)	2 1/2 (63.5)	4.32 (6.43)	2.375 (60.3)	3.11 (4.63)
Over 4 (1.2) to 8 (2.5)	Over 8 (2.5) to 16 (5.0)	2.875 (73.0)	5.79 (8.62)	3 (76.2)	5.78 (8.60)	2.875 (73.0)	4.64 (6.91)
Over 8 (2.5) to 12 (3.6)	Over 16 (5.0) to 24 (7.4)	3.5 (89.0)	7.58 (11.28)	3 (76.2)	8.80 (13.10)	3.5 (89)	5.707 (8.49)

\* The 3 1/2 x 3 1/2 (89.0 x 89.0) roll formed section as detailed may be used as gate posts for single gate up to 6' (1.8 m) and double gate up to 12' (3.6 m).

Illinois Department of Transportation

PASSED January 1, 2009

ENGINEER OF POLICY AND PROCEDURES

APPROVED January 1, 2009

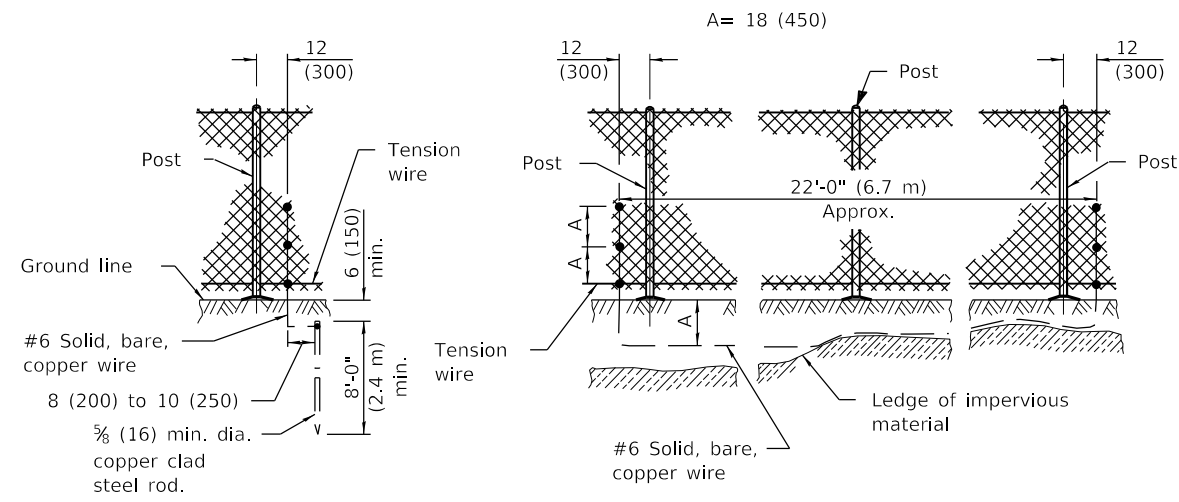
ENGINEER OF DESIGN AND ENVIRONMENT

ISSUED 1-1-97

**CHAIN LINK FENCE**

(Sheet 2 of 3)

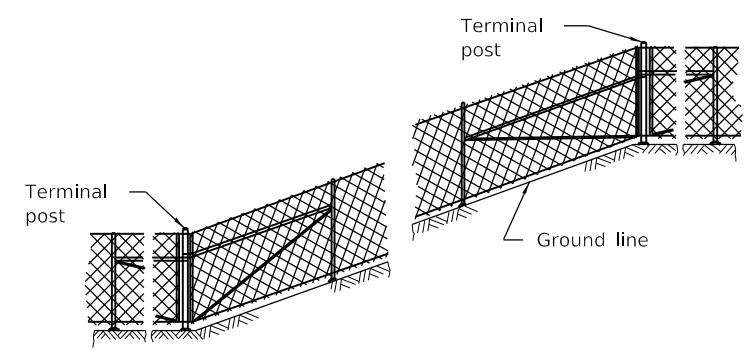
**STANDARD 664001-02**



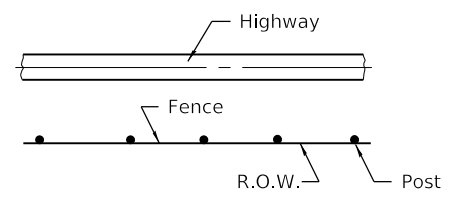
**STANDARD GROUND**

**COUNTERPOISE GROUND (ALTERNATE)**

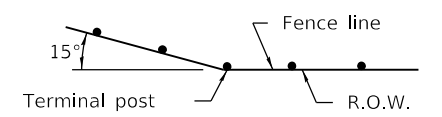
**PROTECTIVE ELECTRICAL GROUNDS**



**INSTALLATION ON SLOPES**



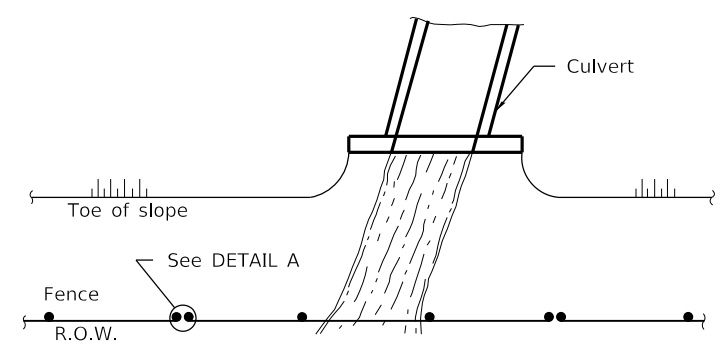
**PLAN**



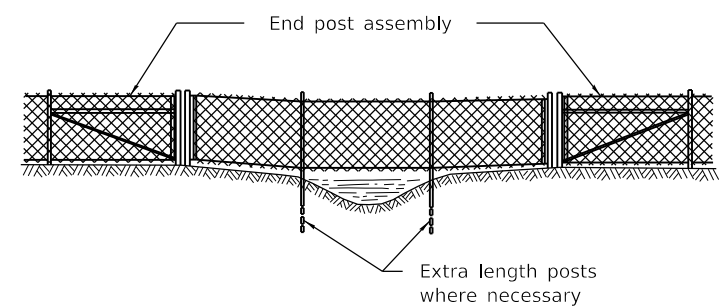
When fence line has a change in direction of 15° or more, a terminal post shall be placed as shown above.

Where angle is less than 15° and existing conditions require a terminal post, they shall be placed as directed by the Engineer.

**INSTALLATION AT CORNERS**

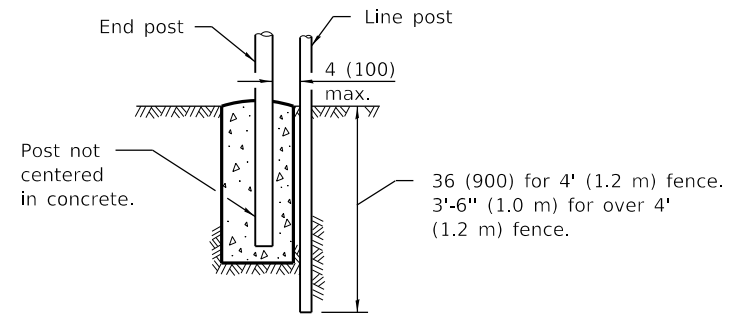


**PLAN AT STREAM CROSSING**

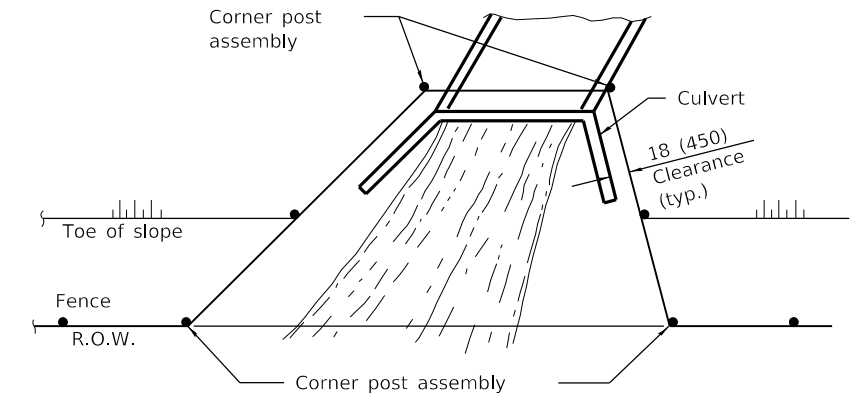


**ELEVATION INSTALLATION OVER STREAM**

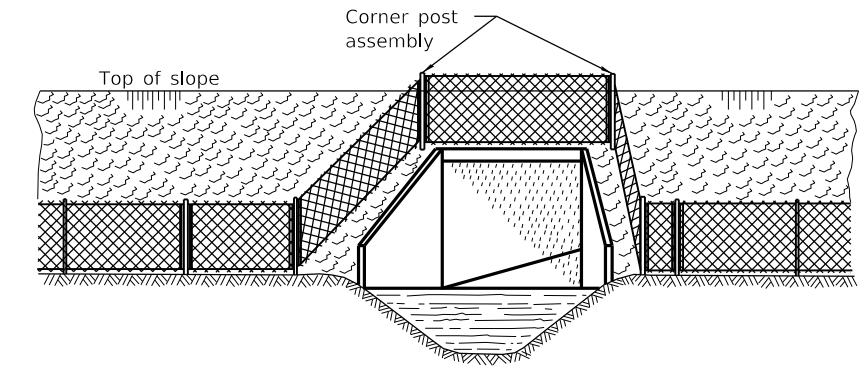
The chain link fabric shall be replaced by barbed wire strands at 12 (300) maximum centers between the double posts shown on DETAIL A when shown on the plans.



**DETAIL A**



**PLAN AT HEADWALL**



**ELEVATION INSTALLATION AROUND HEADWALL**

When the width of the culvert makes it necessary to anchor a post to the top of the culvert, a cast iron shoe or other device approved by the Engineer shall be used.

Illinois Department of Transportation

PASSED January 1, 2009

ENGINEER OF POLICY AND PROCEDURES

APPROVED January 1, 2009

ENGINEER OF DESIGN AND ENVIRONMENT

ISSUED 1-1-97

**CHAIN LINK FENCE**

(Sheet 3 of 3)

**STANDARD 664001-02**