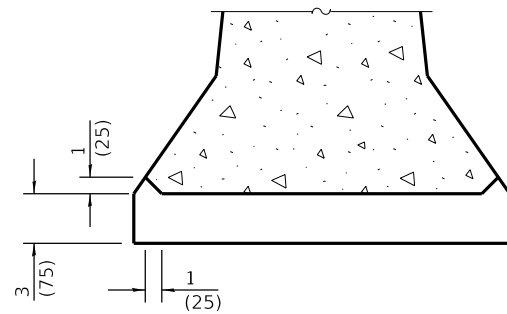
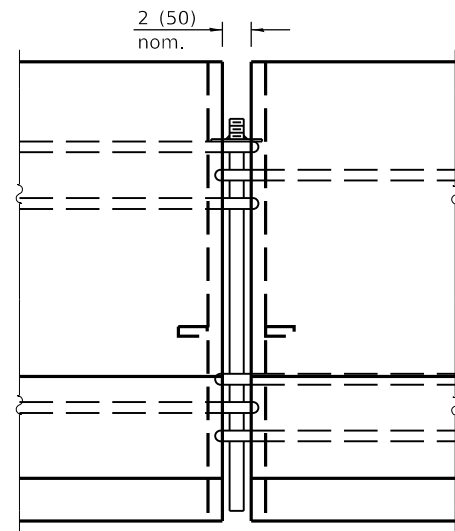


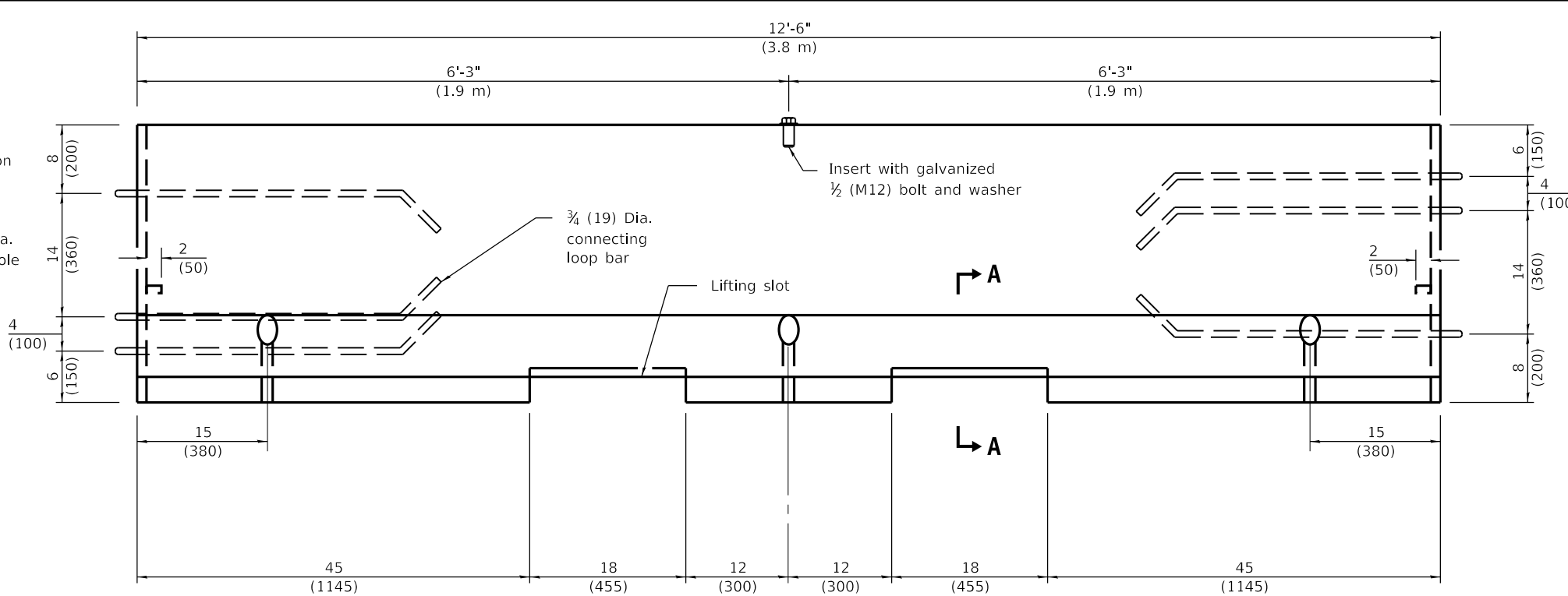
**END VIEW**  
(Showing lifting slot)



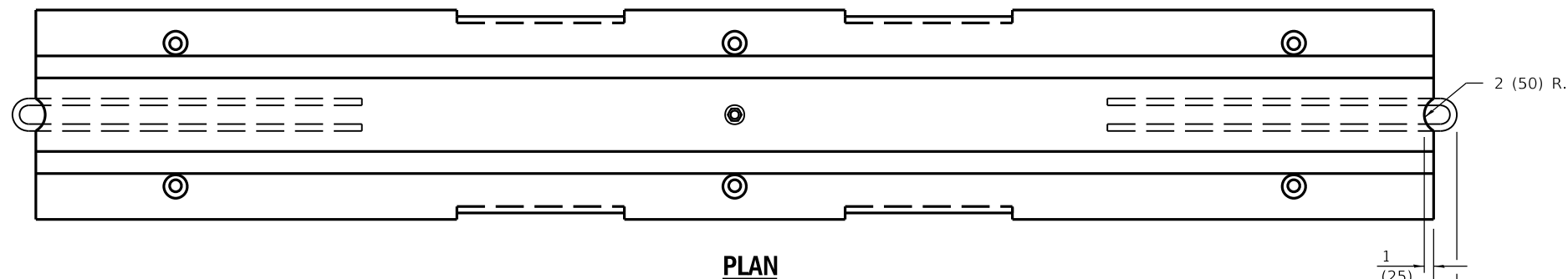
**SECTION A-A**  
**LIFTING SLOT**



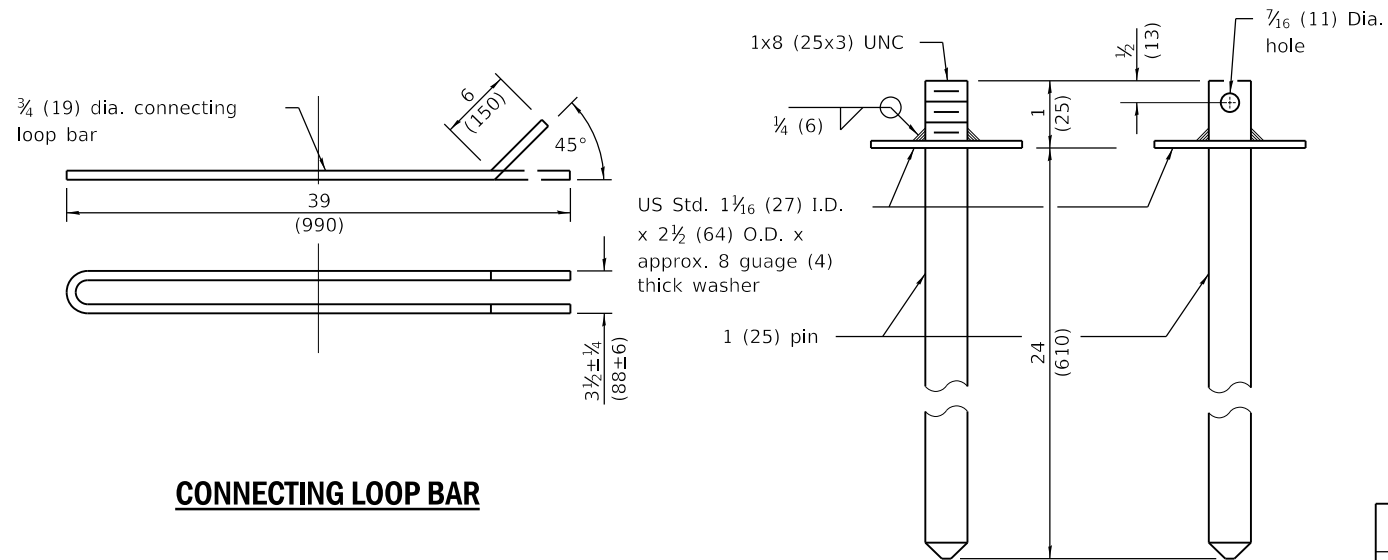
**CONNECTING DETAIL**



**ELEVATION**  
(Showing connecting loop bars and vertical panel bolt/insert)



**PLAN**

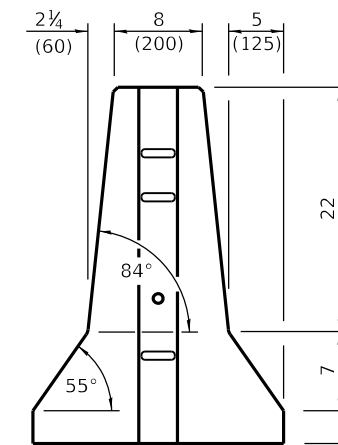


**CONNECTING LOOP BAR**

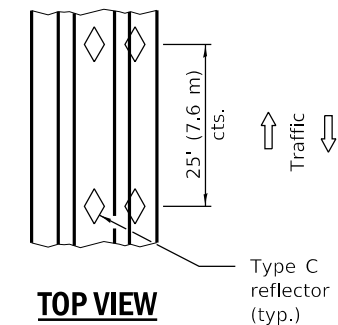
**CONNECTING AND**  
**ANCHOR PINS**

(End may be beveled 1/4 (6) max.)

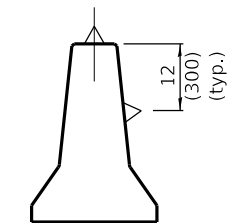
**F SHAPE DESIGN**



**END VIEW**



**TOP VIEW**



**BARRIER WALL REFLECTORS**

**GENERAL NOTES**

Each F shape barrier shall be clearly marked with "ILLINOIS F SHAPE", the Producer's mark and the date of manufacture. The markings shall be indented on the barrier or painted thereon with waterproof paint/ink.

The insert for the 1/2 (M12) bolt shall be capable of 3,000 lb (13 kN) pull-out strength.

When barrier separates opposing flows of traffic markers shall be on both sides of barrier.

See Standard 782006 for dimensions of Type C reflector.

All dimensions are in inches (millimeters) unless otherwise shown.

DATE	REVISIONS
4-1-16	Rev. opt. chamfer on all edges to 1 (25). Reference to Std. 635011 now 782006.
1-1-12	Omitted 'ALTERNATE' from connecting and anchoring pins detail.

**TEMPORARY CONCRETE**  
**BARRIER**

(Sheet 1 of 2)

**STANDARD 704001-08**

Illinois Department of Transportation

PASSED April 1, 2016

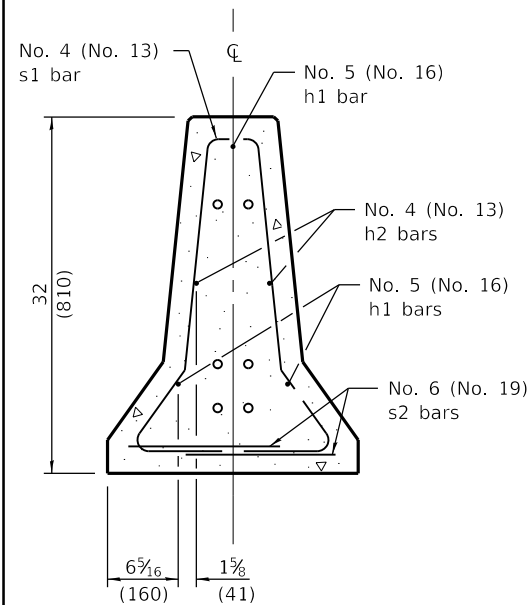
*Michael Brand*  
ENGINEER OF POLICY AND PROCEDURES

APPROVED April 1, 2016

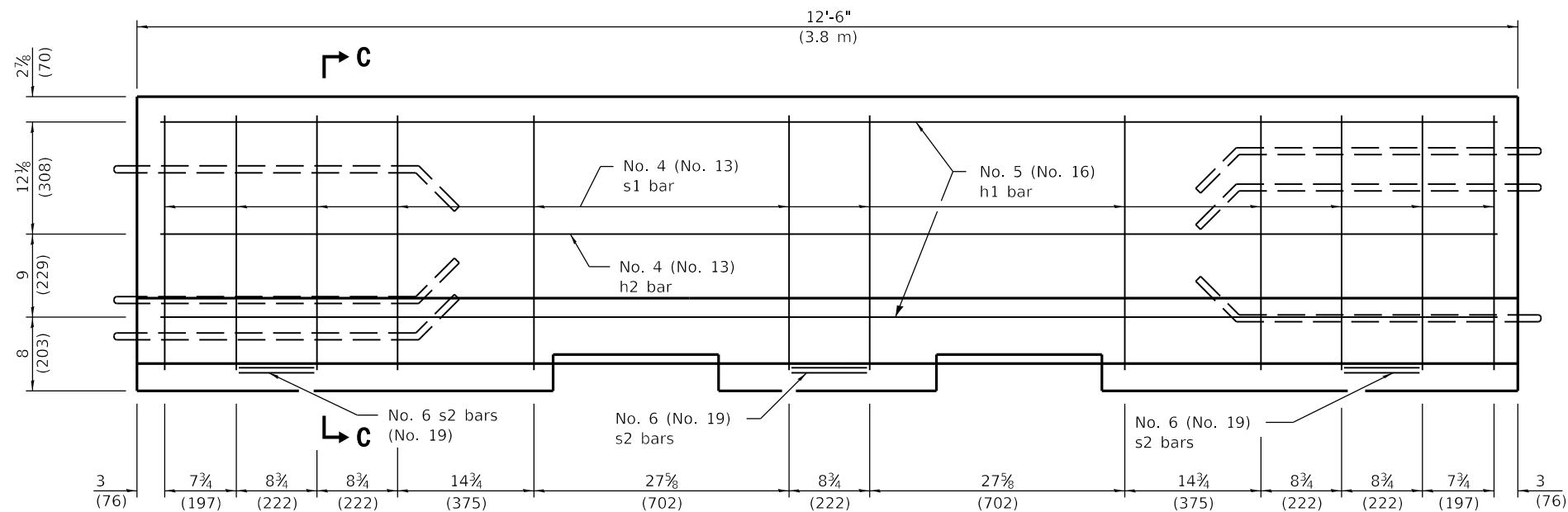
*[Signature]*  
ENGINEER OF DESIGN AND ENVIRONMENT

ISSUED 20-1-10-08

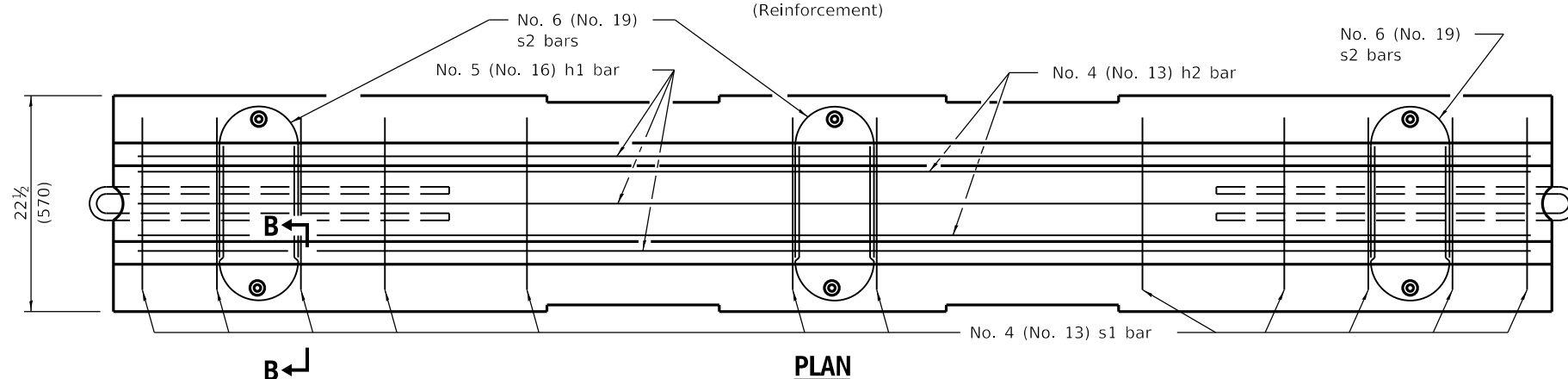
**F SHAPE DESIGN**



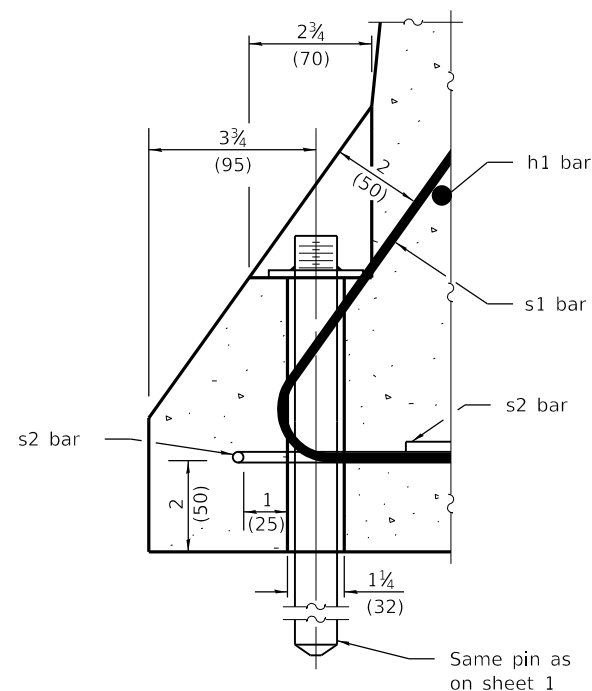
**SECTION C-C**



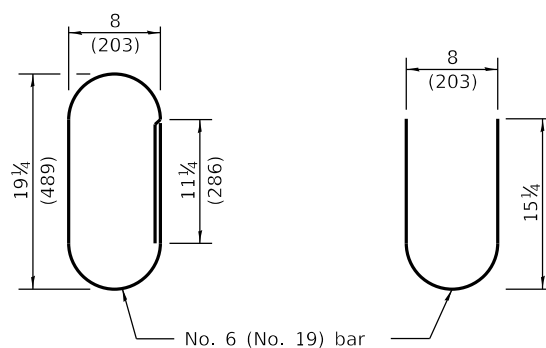
**ELEVATION**  
(Reinforcement)



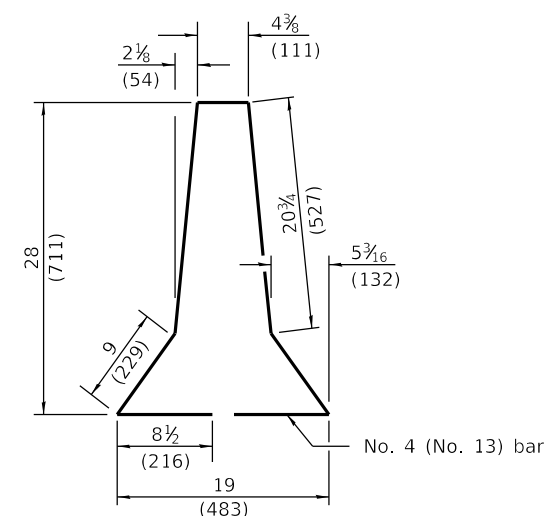
**PLAN**



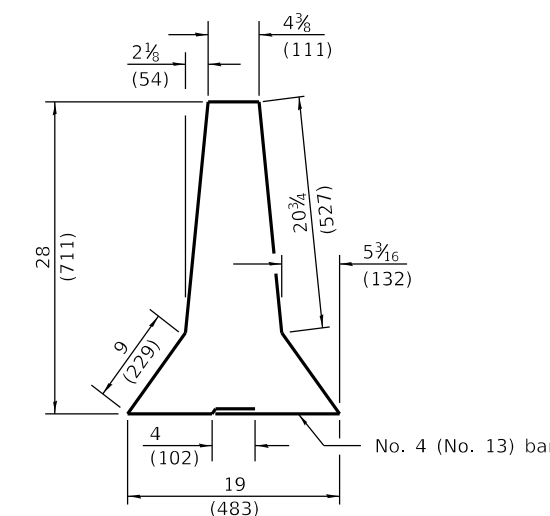
**SECTION B-B**  
**ANCHORING DETAIL**



**ALTERNATE s2 BARS**



**s1 BAR**



**ALTERNATE s1 BAR**

Illinois Department of Transportation  
 PASSED April 1, 2016  
 Michael Beard  
 ENGINEER OF POLICY AND PROCEDURES  
 APPROVED April 1, 2016  
 ENGINEER OF DESIGN AND ENVIRONMENT  
 ISSUED 10-1-02

**TEMPORARY CONCRETE BARRIER**

(Sheet 2 of 2)

**STANDARD 704001-08**