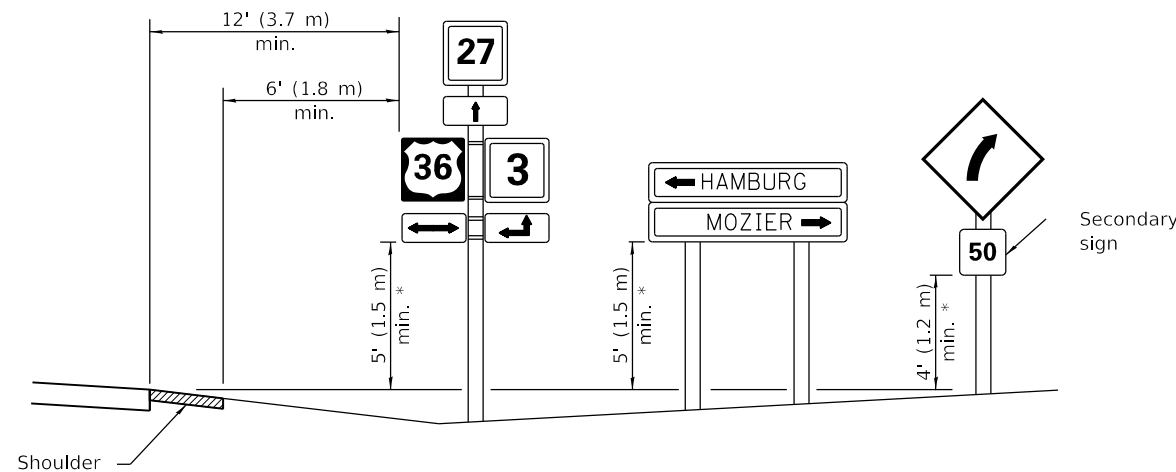
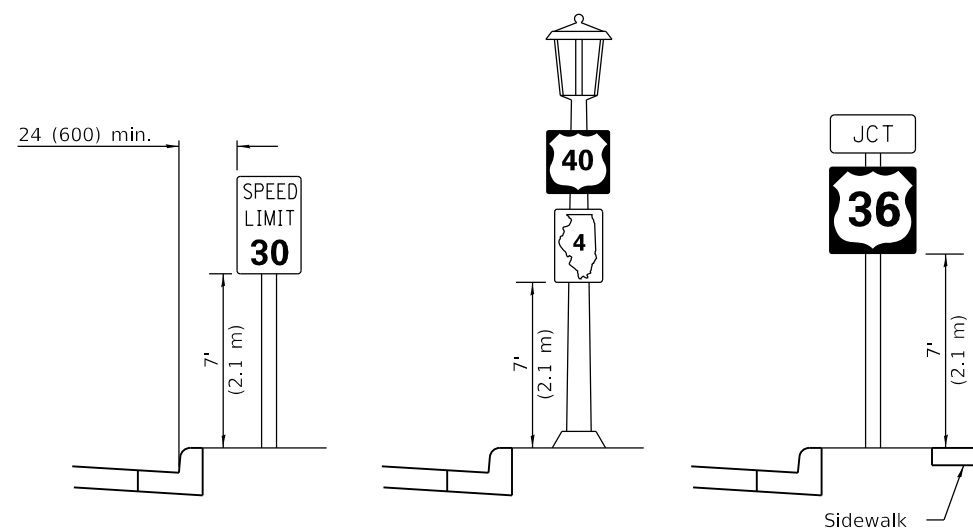


MULTILANE HIGHWAYS



\* In any area where parking is likely to occur or where there are obstructions to view or where signs are located over sidewalks, the height shall be at least 7' (2.1 m).

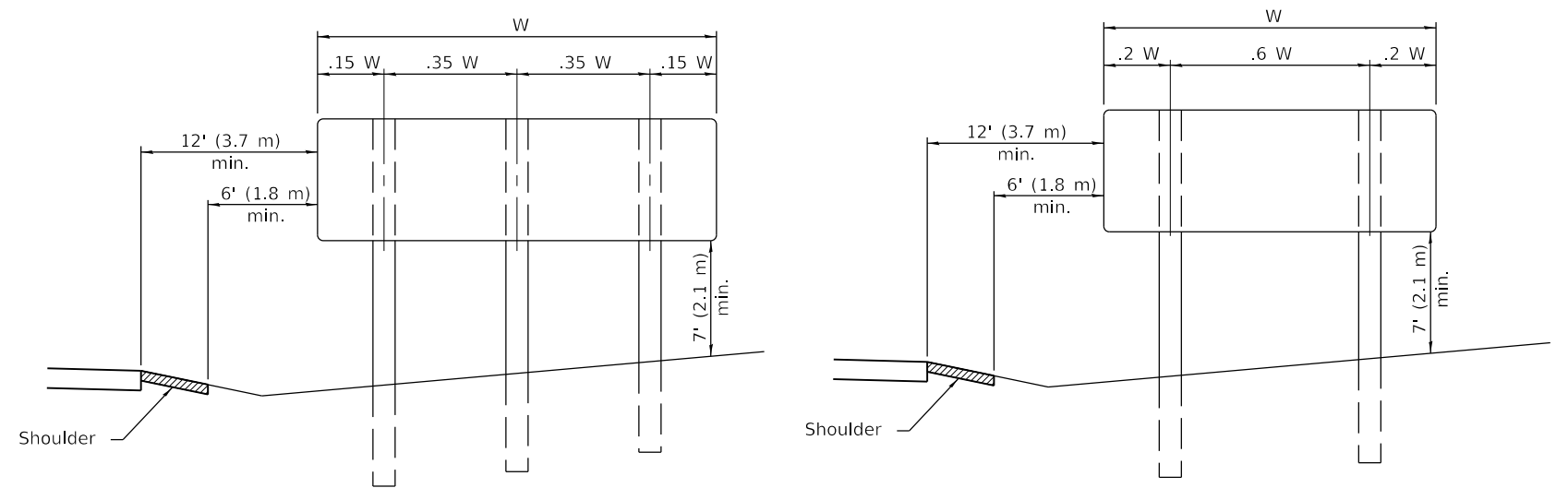
TWO LANE RURAL HIGHWAYS



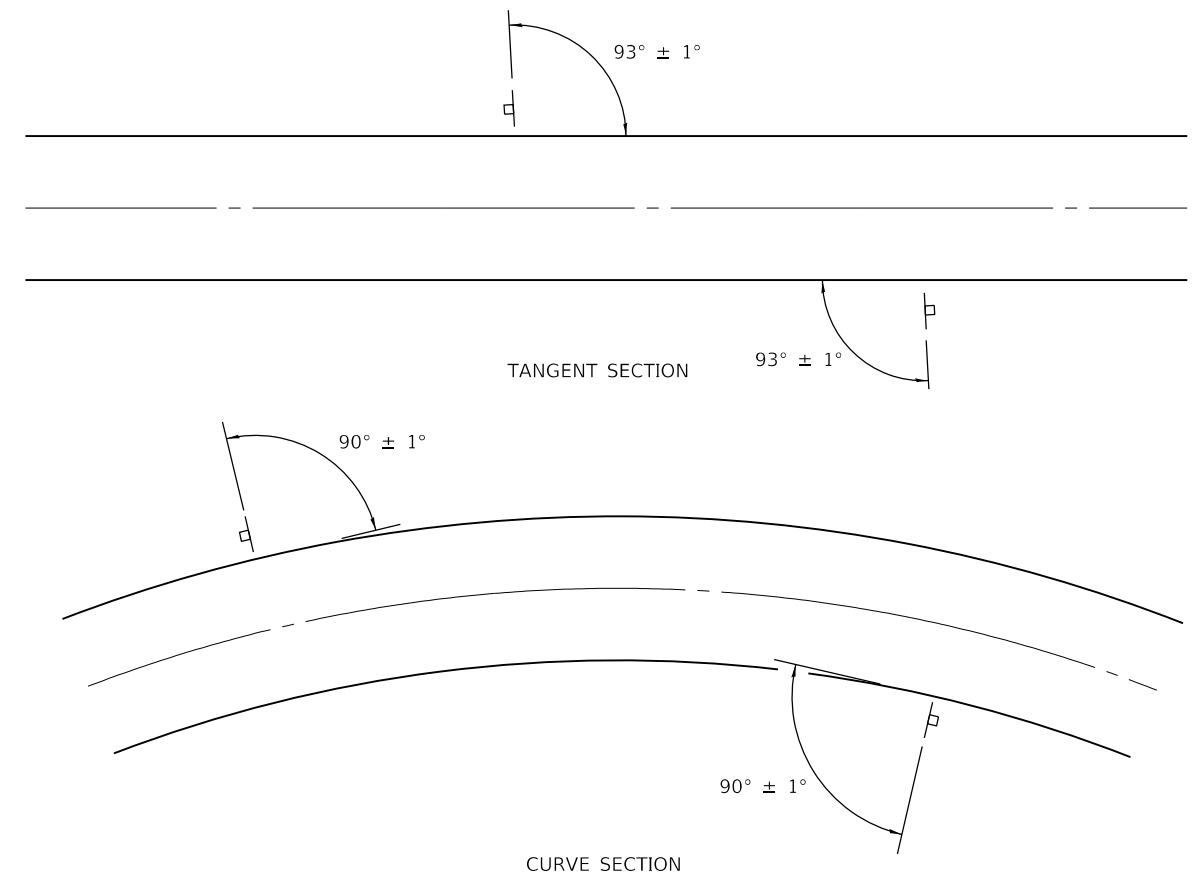
URBAN LOCATIONS

**TYPICAL INSTALLATIONS**

Signs in any area shall be erected to a uniform height above the edge of the pavement.



**POST SPACING FOR NON-FREEWAY SIGN PANELS**



**GROUND MOUNT SIGN POSITIONING**

All dimensions are in inches (millimeters) unless otherwise shown.

Illinois Department of Transportation

PASSED January 1, 2014  
*Justin Mann*  
 ENGINEER OF OPERATIONS

APPROVED January 1, 2014  
*[Signature]*  
 ENGINEER OF DESIGN AND ENVIRONMENT

ISSUED 1-1-97

DATE	REVISIONS
1-1-14	Added shoulders and slopes.
	Changed sign distances from roadway and shoulder.
1-1-12	Rev. sign elev. for multilane hwy's. Revised sign elev. and dist. to curb for rural loc.

**SIGN PANEL ERECTION DETAILS**

**STANDARD 720006-04**