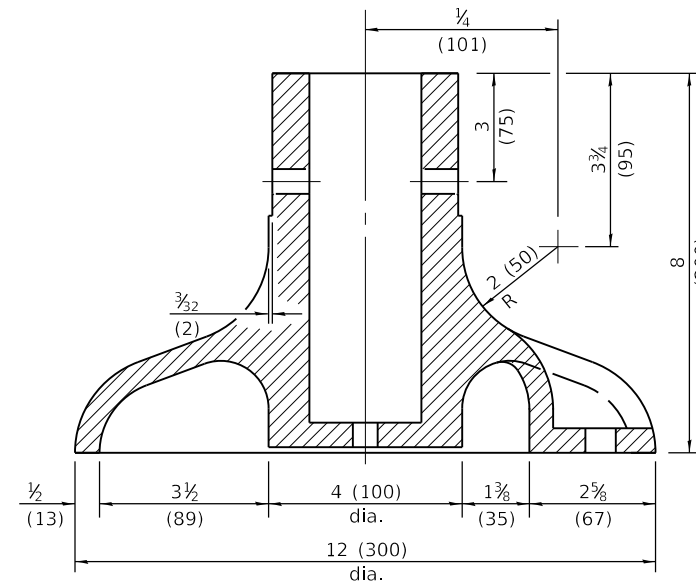
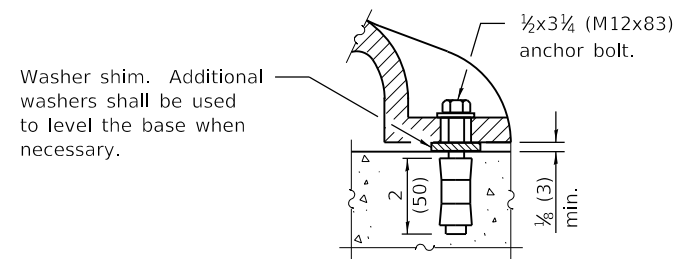


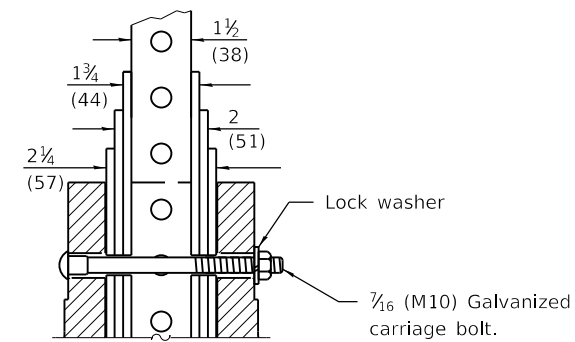
PLAN



SECTION A-A



ANCHOR BOLT DETAIL



POST ASSEMBLY DETAIL

All dimensions are in inches (millimeters) unless otherwise shown.

Illinois Department of Transportation

PASSED January 1, 2009
 ENGINEER OF OPERATIONS

APPROVED January 1, 2009
 ENGINEER OF DESIGN AND ENVIRONMENT

ISSUED 1-1-07

DATE	REVISIONS
1-1-09	Switched units to English (metric).
1-1-07	New Standard. Used to be part of Standard 720006.

BASE FOR TELESCOPING STEEL SIGN SUPPORT

STANDARD 731001-01