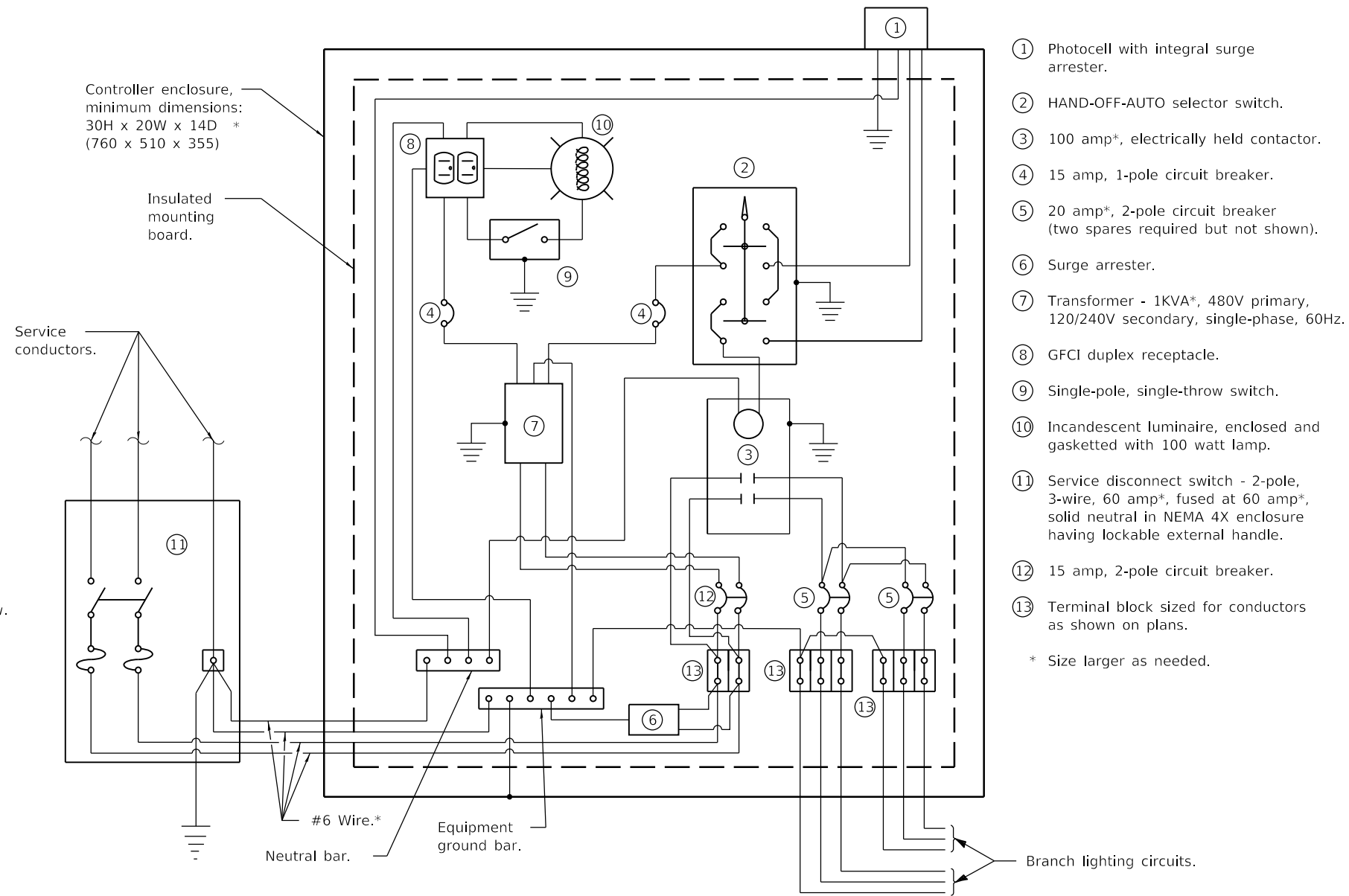


**ELECTRIC SERVICE INSTALLATION**

(Typical overhead service shown. Cut pole off for underground service and treat cut surface with preservative. Consult utility company standards for exact requirements.)  
 \* Size larger as needed.  
 \*\* When cold sequencing is required, provide a meter disconnect switch as directed by Utility Company.



**CONTROL SCHEMATIC**

- ① Photocell with integral surge arrester.
  - ② HAND-OFF-AUTO selector switch.
  - ③ 100 amp\*, electrically held contactor.
  - ④ 15 amp, 1-pole circuit breaker.
  - ⑤ 20 amp\*, 2-pole circuit breaker (two spares required but not shown).
  - ⑥ Surge arrester.
  - ⑦ Transformer - 1KVA\*, 480V primary, 120/240V secondary, single-phase, 60Hz.
  - ⑧ GFCI duplex receptacle.
  - ⑨ Single-pole, single-throw switch.
  - ⑩ Incandescent luminaire, enclosed and gasketed with 100 watt lamp.
  - ⑪ Service disconnect switch - 2-pole, 3-wire, 60 amp\*, fused at 60 amp\*, solid neutral in NEMA 4X enclosure having lockable external handle.
  - ⑫ 15 amp, 2-pole circuit breaker.
  - ⑬ Terminal block sized for conductors as shown on plans.
- \* Size larger as needed.

**GENERAL NOTES**

Provide 12x9x1 (305x225x25) watertight pouch mounted inside controller door with as-built plans and schematics.

Provide engraved nameplate on front of enclosure reading "LIGHTING".

Enclosure shall be mounted to pole with pole-bands and lag-bolts.

Work pad not shown.

All dimensions are in inches (millimeters) unless otherwise shown.

Illinois Department of Transportation

PASSED January 1, 2019

*ME Reppelt*  
ELECTRICAL AND MECHANICAL UNIT CHIEF

APPROVED January 1, 2019

*J. E. ...*  
ENGINEER OF DESIGN AND ENVIRONMENT

ISSUED 1-1-10

DATE	REVISIONS
1-1-19	Replaced ** note with new note regarding utility company standards. Made *** the ** note.
1-1-15	Added note ⑬.

**LIGHTING CONTROLLER  
POLE MOUNTED, 480V**

**STANDARD 825006-03**