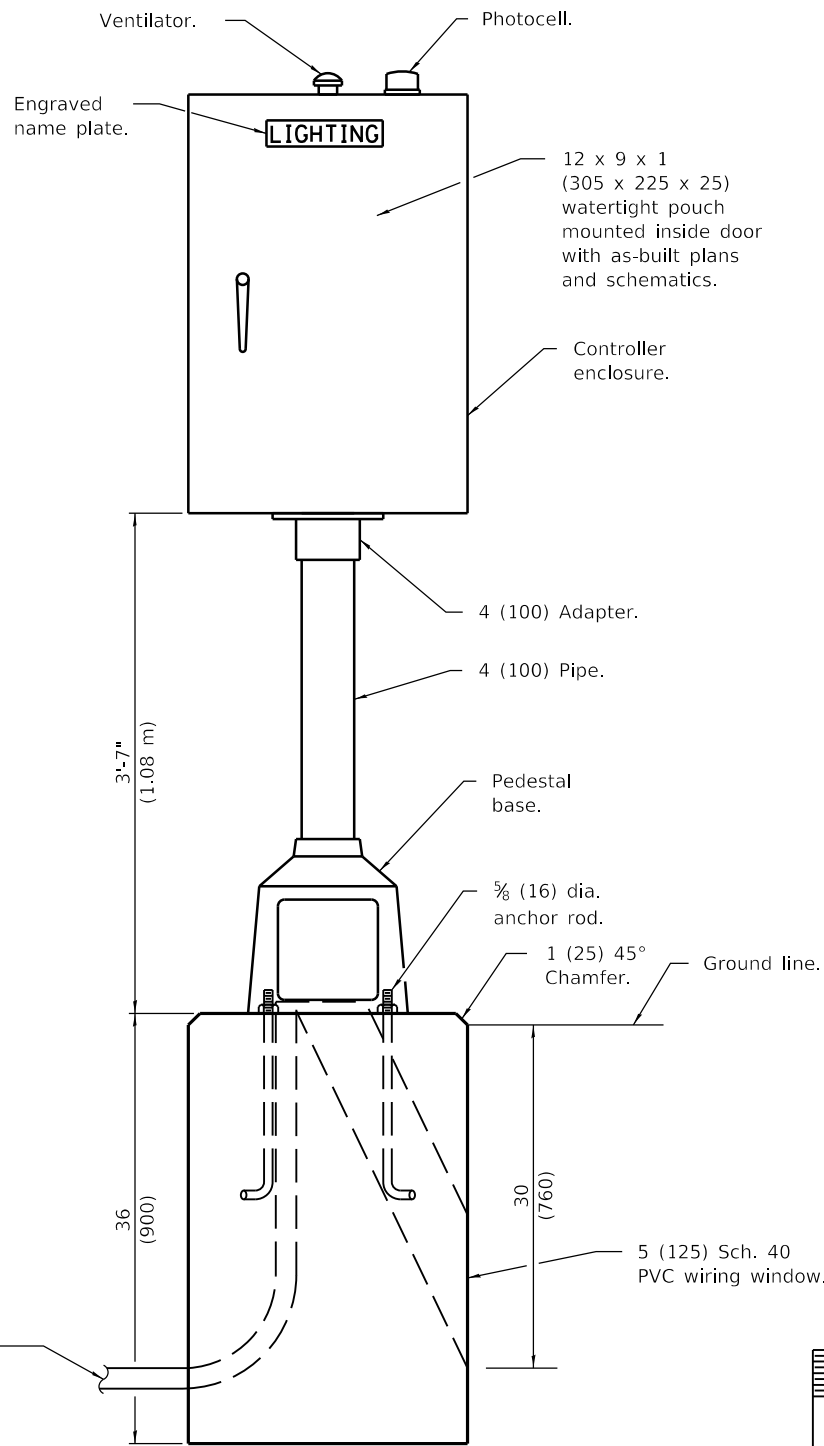
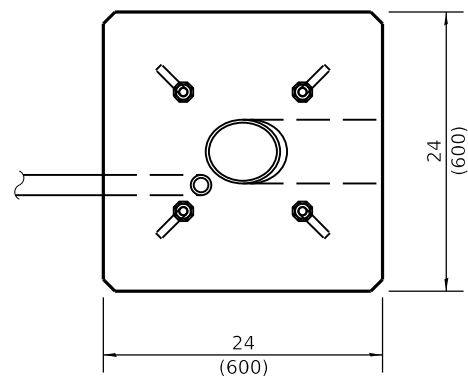


**ELECTRIC SERVICE INSTALLATION**

(Typical overhead service shown. Cut pole off for underground service and treat cut surface with preservative. Consult utility company standards for exact requirements.)  
 \* Size larger as needed.

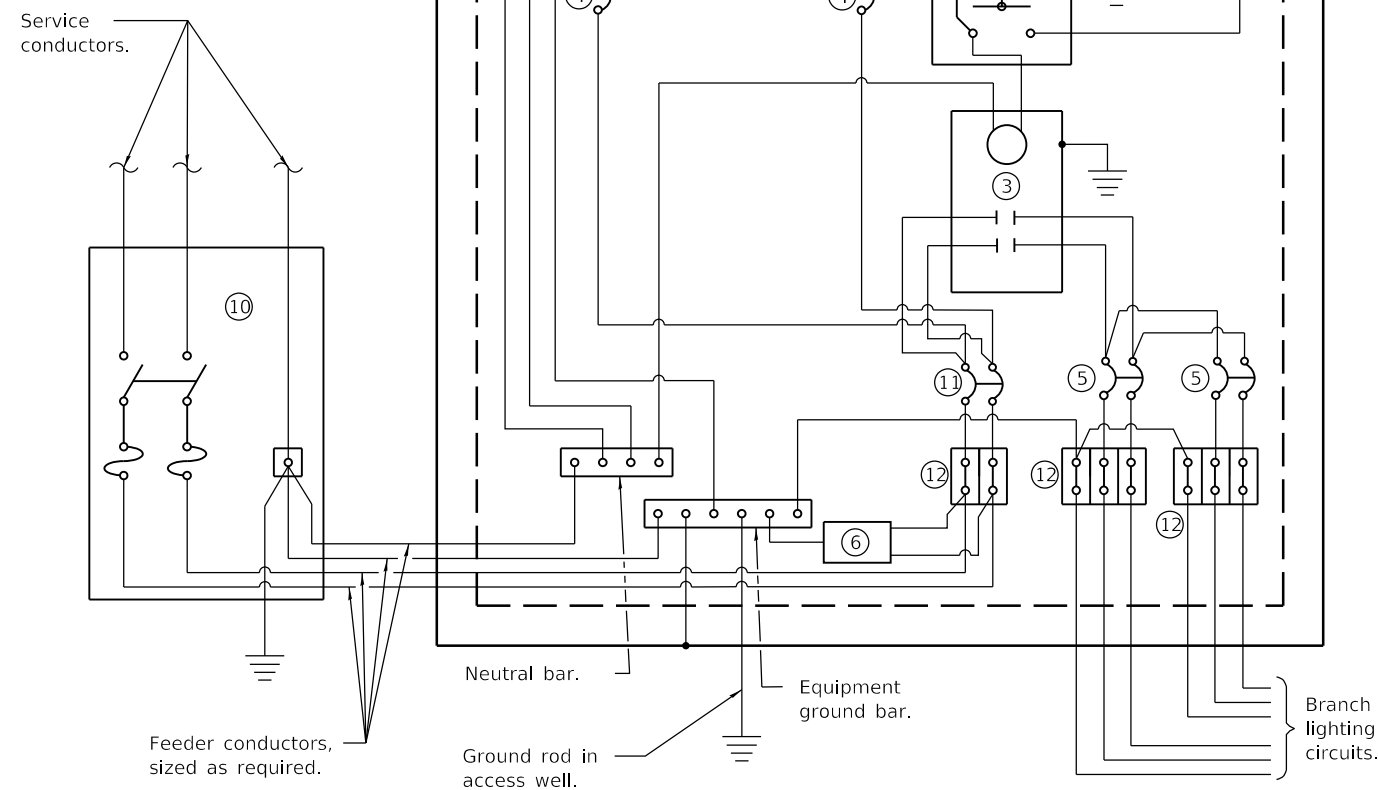


**LIGHTING CONTROLLER**



**FOUNDATION (PLAN)**

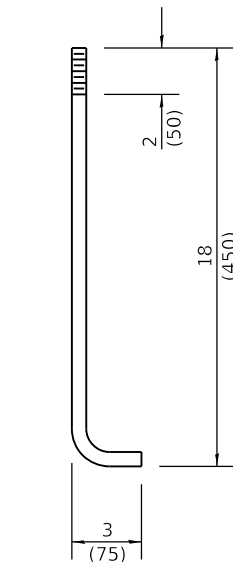
(Work pad not shown.)



**CONTROL SCHEMATIC**

- ① Photocell with integral surge arrester.
  - ② HAND-OFF-AUTO selector switch.
  - ③ 100 amp\*, electrically held contactor.
  - ④ 15 amp, 1-pole circuit breaker.
  - ⑤ 20 amp\*, 2-pole circuit breaker (two spares required but not shown).
  - ⑥ Surge arrester.
  - ⑦ GFCI duplex receptacle.
  - ⑧ Single-pole, single-throw switch.
  - ⑨ Incandescent luminaire, enclosed and gasketed with 100 watt lamp.
  - ⑩ Service disconnect switch - 2-pole, 3-wire, 60 amp\*, fused at 60 amp\*, solid neutral in NEMA 4X enclosure having lockable external handle.
  - ⑪ 60 amp\*, 2-pole circuit breaker.
  - ⑫ Terminal block sized for conductors as shown on plans.
- \* Size larger as needed.

All dimensions are in inches (millimeters) unless otherwise shown.



**ANCHOR ROD DETAIL**

DATE	REVISIONS
1-1-19	Replaced ** note with new note regarding consulting utility company standards for installation.
1-1-15	Added note ⑫.

**LIGHTING CONTROLLER  
PEDESTAL MOUNTED, 240V**

**STANDARD 825011-04**

Illinois Department of Transportation

PASSED January 1, 2019

*ME Reppelt*  
ELECTRICAL AND MECHANICAL UNIT CHIEF

APPROVED January 1, 2019

*Joe E. ...*  
ENGINEER OF DESIGN AND ENVIRONMENT

ISSUED 01-1-1-1-10