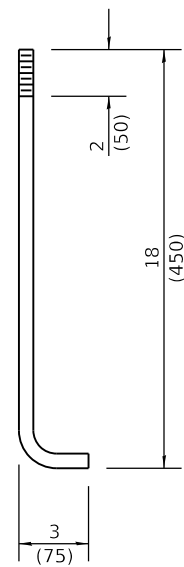


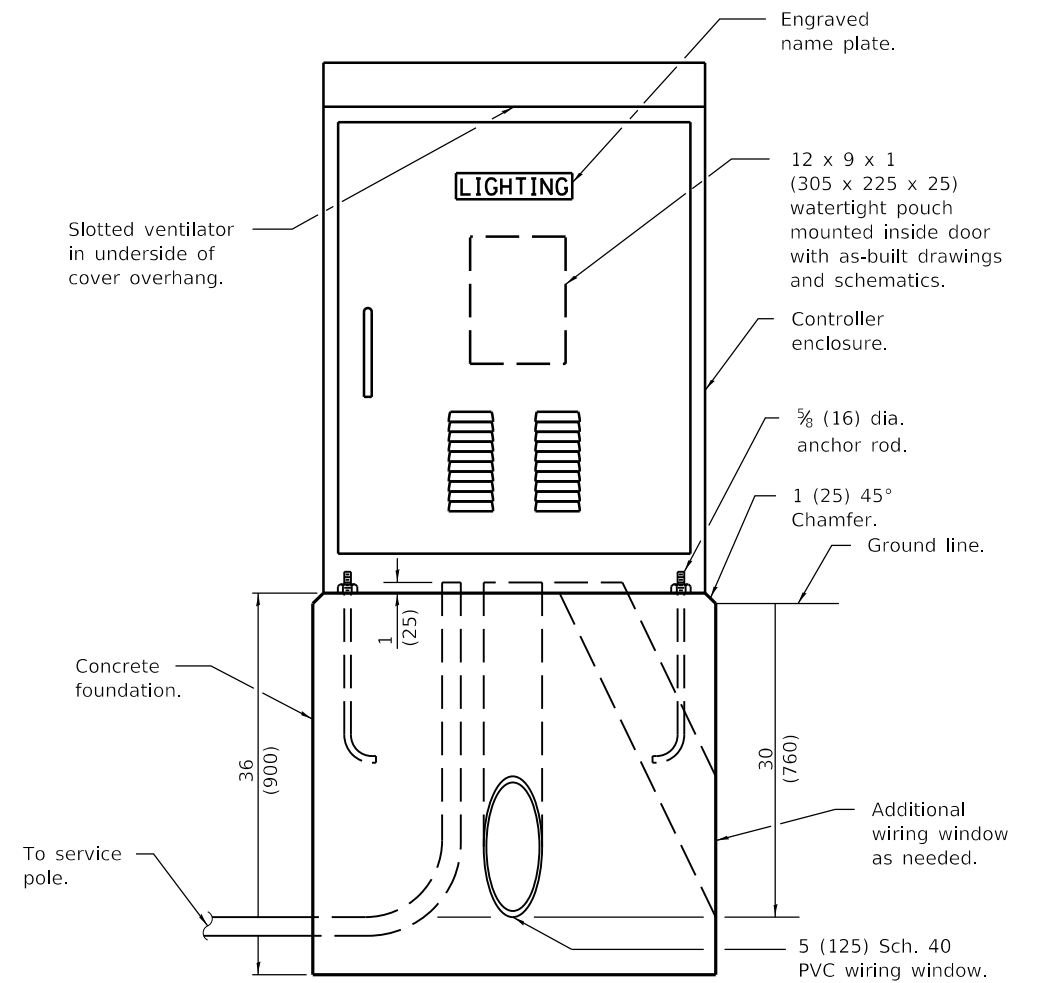
ELECTRIC SERVICE INSTALLATION

(Typical overhead service shown. Cut pole off for underground service and treat cut surface with preservative. Consult utility company standards for exact requirements.)

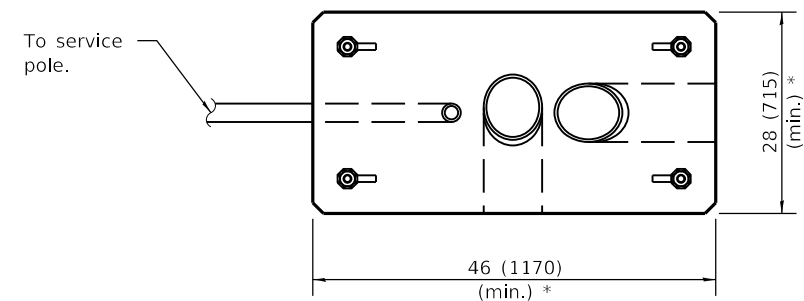
* Size larger as needed.
 ** When cold sequencing is required, provide a meter disconnect switch as directed by Utility Company.



ANCHOR ROD DETAIL



LIGHTING CONTROLLER



FOUNDATION (PLAN)

(Work pad not shown.)

All dimensions are in inches (millimeters) unless otherwise shown.

DATE	REVISIONS
1-1-19	Replaced ** note with new note regarding utility company standards. Made *** the ** note.
1-1-15	Added note (18).

NAVIGATION OBSTRUCTION LIGHTING CONTROLLER, 480V
 (Sheet 1 of 2)

STANDARD 826006-02

Illinois Department of Transportation

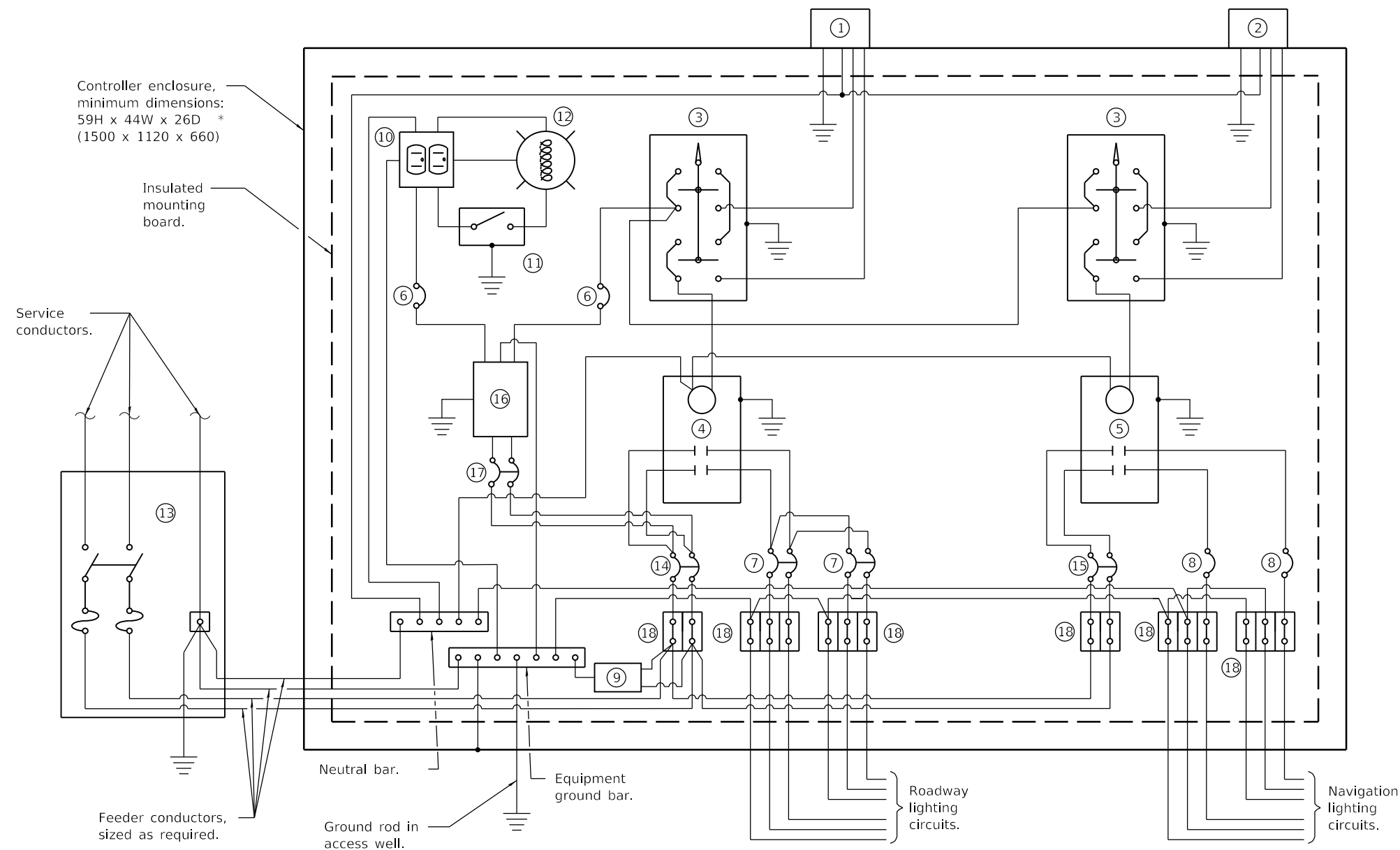
PASSED January 1, 2019

ME Reppelt
 ELECTRICAL AND MECHANICAL UNIT CHIEF

APPROVED January 1, 2019

J. E. ...
 ENGINEER OF DESIGN AND ENVIRONMENT

ISSUED 1-1-12



- ① Photocell with integral surge arrester for roadway lighting.
- ② Photocell with integral surge arrester for navigation lighting.
- ③ HAND-OFF-AUTO selector switch.
- ④ 100 amp*, electrically held contactor.
- ⑤ 60 amp*, electrically held contactor.
- ⑥ 15 amp, 1-pole circuit breaker.
- ⑦ 20 amp*, 2-pole circuit breaker (two spares required but not shown).
- ⑧ 20 amp*, single-pole circuit breaker (two shown, quantity as required).
- ⑨ Surge arrester.
- ⑩ GFCI duplex receptacle.
- ⑪ Single-pole, single-throw switch.
- ⑫ Incandescent luminaire, enclosed and gasketed with 100 watt lamp.
- ⑬ Service disconnect switch - 2-pole, 3-wire, 100 amp*, fused at 100 amp*, solid neutral in NEMA 4X enclosure having lockable external handle.
- ⑭ 60 amp*, 2-pole circuit breaker.
- ⑮ 30 amp*, 2-pole circuit breaker.
- ⑯ Transformer - 1 KVA*, 480V primary, 120/240V secondary, single phase, 60 Hz.
- ⑰ 15 amp, 2-pole circuit breaker.
- ⑱ Terminal block sized for conductors as shown on plans.

* Size larger as needed.

CONTROL SCHEMATIC

Illinois Department of Transportation

PASSED January 1, 2019

ME Reppelt
ELECTRICAL AND MECHANICAL UNIT CHIEF

APPROVED January 1, 2019

J. E. ...
ENGINEER OF DESIGN AND ENVIRONMENT

ISSUED 1-1-12

**NAVIGATION OBSTRUCTION
LIGHTING CONTROLLER, 480V**
(Sheet 2 of 2)

STANDARD 826006-02