

POLE		
MOUNTING HEIGHT	MINIMUM SHAFT DIAMETER	MINIMUM WALL THICKNESS
35' (10.7 m) or less	8 tapered to 4½ (200 to 114)	0.25 (6)
Greater than 35' (10.7 m) to 45' (13.7 m)	10 tapered to 6 (250 to 150)	0.25 (6)
Greater than 45' (13.7 m) to 50' (15.2 m)	10 tapered to 6 (250 to 150)	0.312 (8)

POLE BASE	
MOUNTING HEIGHT	BOLT CIRCLE DIAMETER
35' (10.7 m) or less	11½ (290)
Greater than 35' (10.7 m) to 50' (15.2 m)	15 (380)

GENERAL NOTES

See Standard 836001 for Light Pole Foundation and grounding electrode.

See Standard 720001 for pole identification banding to pole.

Voids in light pole base shall be sealed to prevent rodent entry.

Provide breakaway devices where required.

Where anchor rods on existing bridge parapets are too short to mount poles as shown, install leveling plate directly on concrete and level with stainless steel washers.

All dimensions are in inches (millimeters) unless otherwise shown.

MAST ARM LIGHT POLE

(Single or twin mount)

* Unless directed otherwise by the Engineer.

DATE	REVISIONS
1-1-15	Revised note on HANDHOLE DETAIL.
1-1-14	Added pole mounted on bridge parapet. Modified attachment of screen.

LIGHT POLE ALUMINUM MAST ARM

(Sheet 1 of 2)

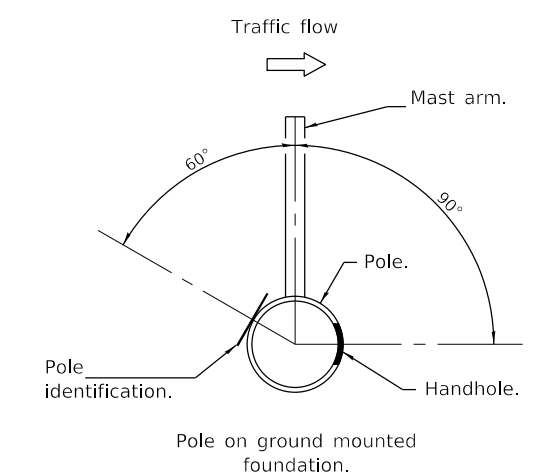
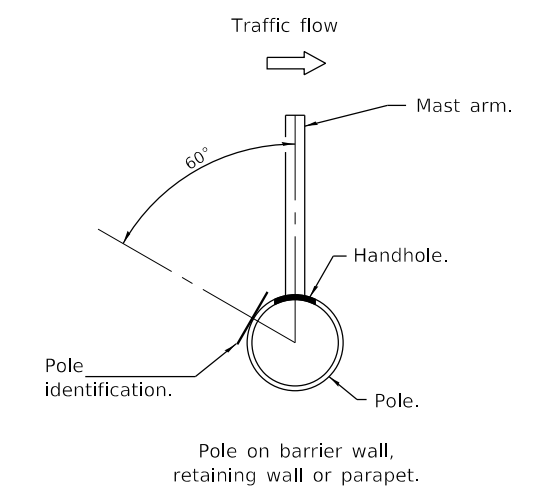
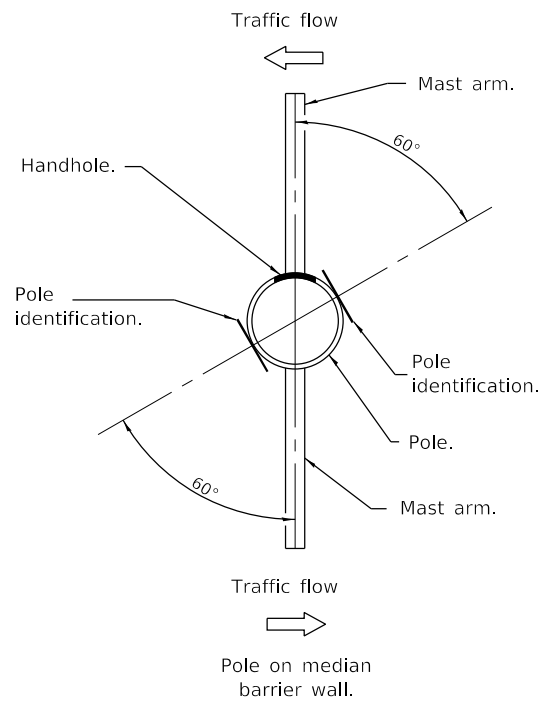
STANDARD 830001-03

Illinois Department of Transportation

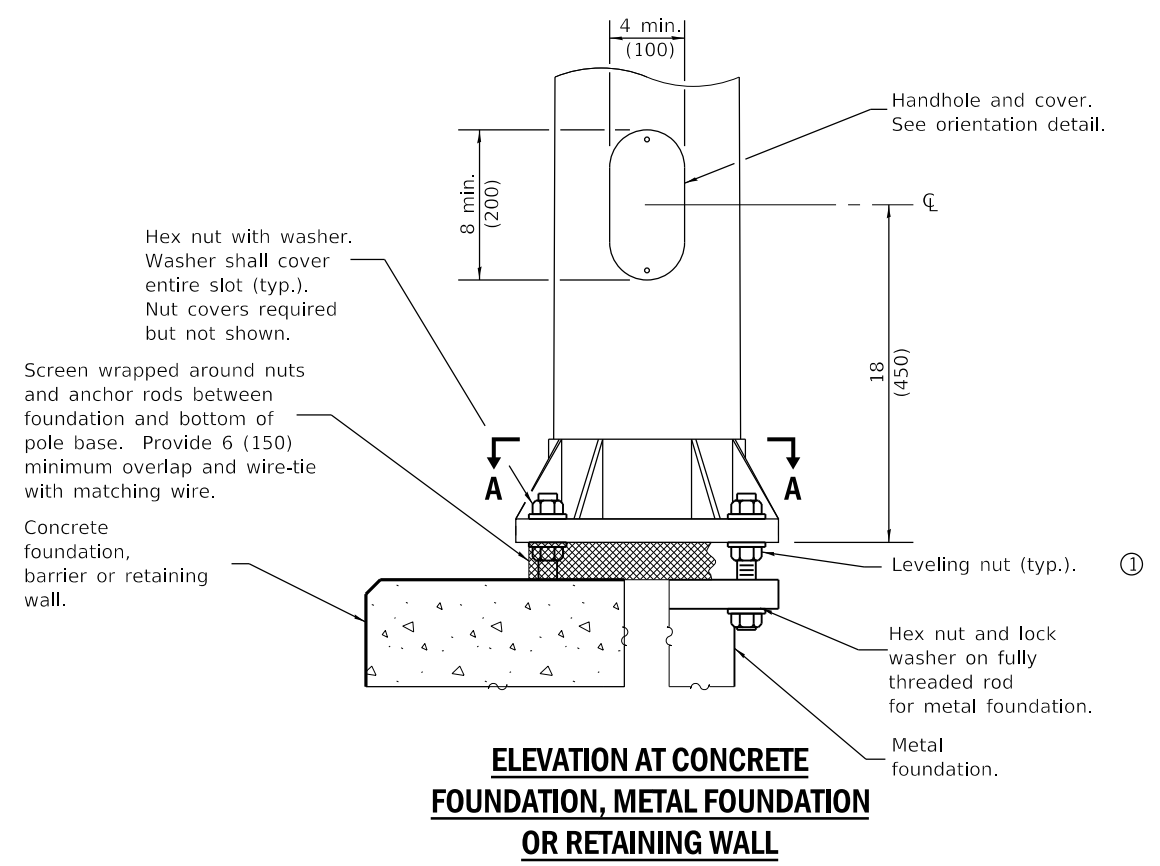
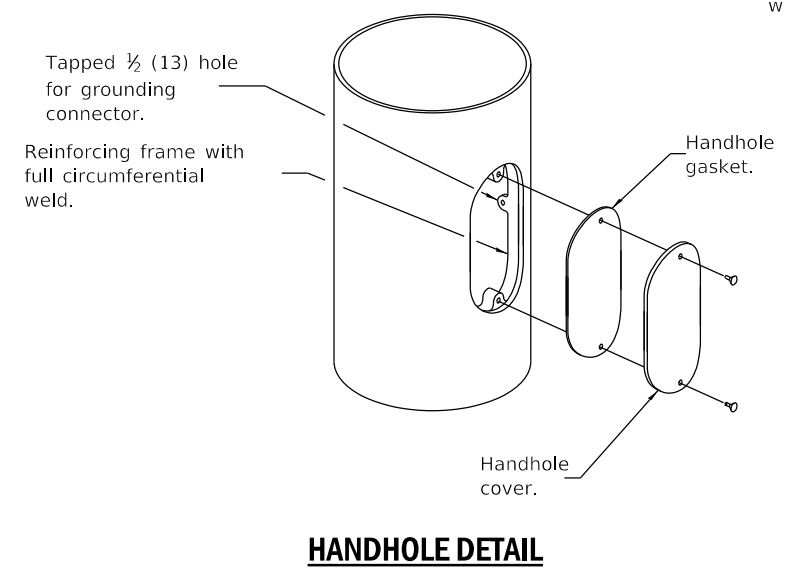
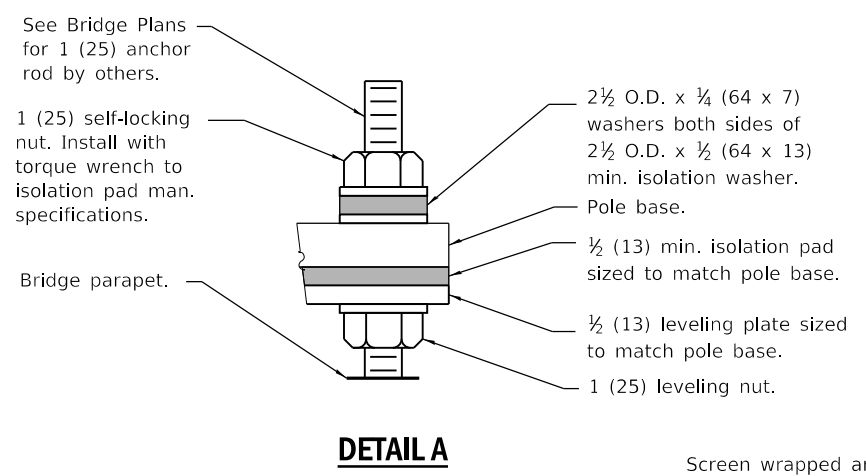
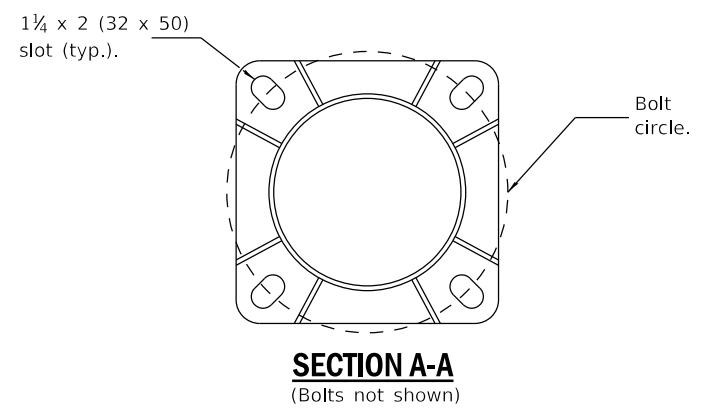
APPROVED January 1, 2015
Cheryl Gentry
 ENGINEER OF PRELIMINARY ENGINEERING

APPROVED January 1, 2015
[Signature]
 ENGINEER OF DESIGN AND ENVIRONMENT

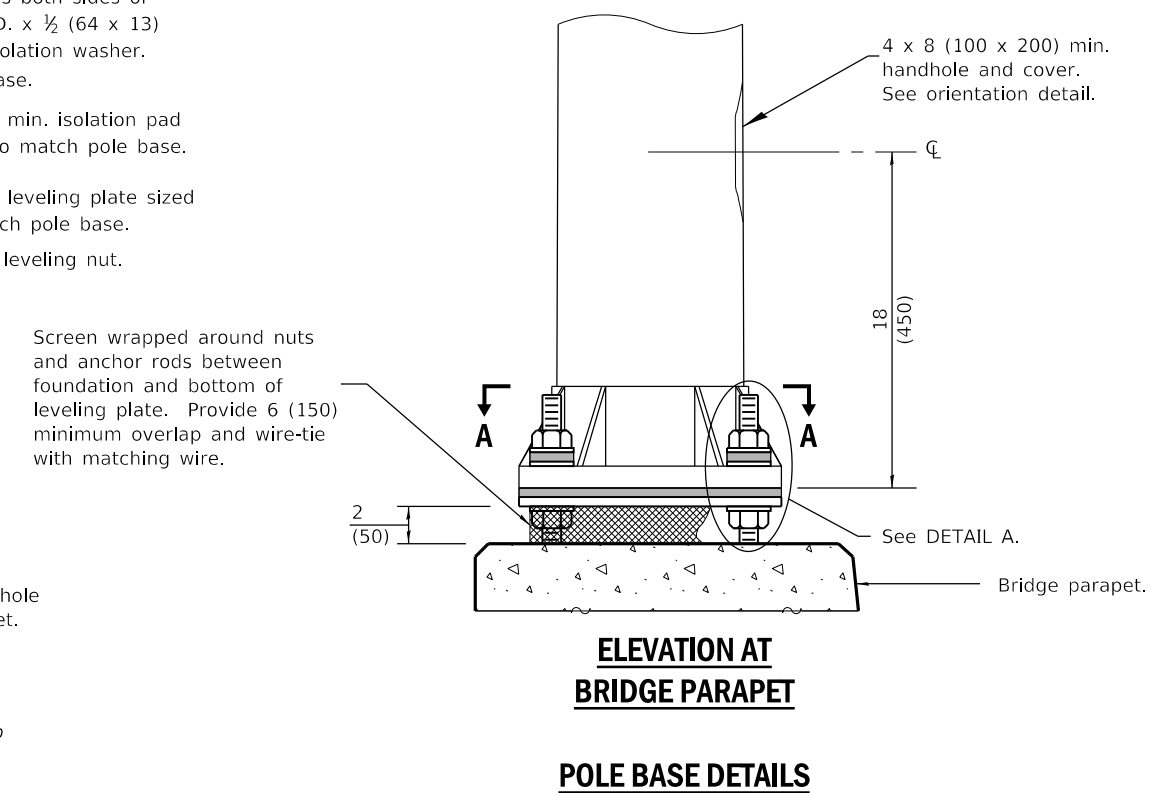
ISSUED 1-1-12



HANDHOLE / IDENTIFICATION ORIENTATION DETAIL



① Omit leveling nuts when breakaway devices are required.



POLE BASE DETAILS

Illinois Department of Transportation
 APPROVED January 1, 2015
 ENGINEER OF PRELIMINARY ENGINEERING
 APPROVED January 1, 2015
 ENGINEER OF DESIGN AND ENVIRONMENT

ISSUED 1-1-12

LIGHT POLE ALUMINUM MAST ARM
 (Sheet 2 of 2)
STANDARD 830001-03