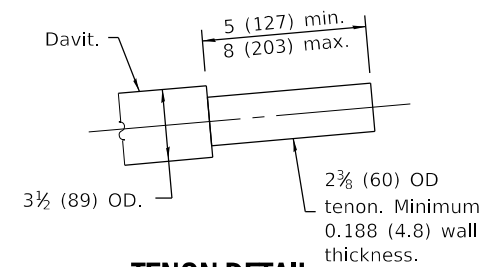
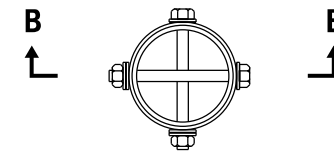


POLE BASE	
MOUNTING HEIGHT	BOLT CIRCLE DIAMETER
35' (10.7 m) or less	11½ (290)
Greater than 35' (10.7 m) to 50' (15.2 m)	15 (380)

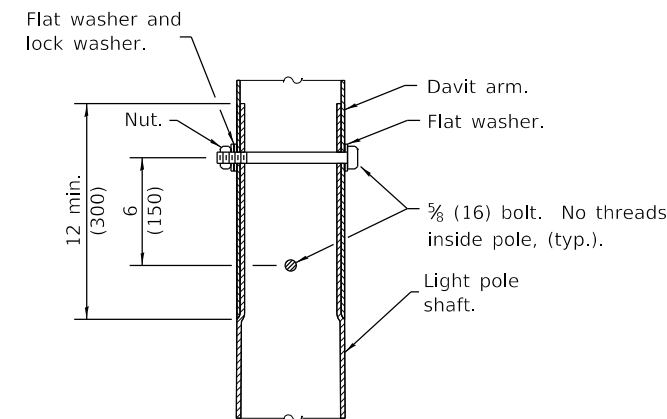
POLE LOWER SHAFT			
MOUNTING HEIGHT	LOWER SHAFT LENGTH ①	MINIMUM SHAFT DIAMETER	MINIMUM WALL THICKNESS
30' (9.1 m)	21'-1" (6.4 m)	8 tapered to 6 (200 to 114)	0.25 (6)
35' (10.7 m)	26'-1" (7.9 m)	8 tapered to 6 (200 to 114)	0.25 (6)
40' (12.2 m)	31'-1" (9.5 m)	10 tapered to 6 (250 to 150)	0.25 (6)
45' (13.7 m)	36'-1" (11.0 m)	10 tapered to 6 (250 to 150)	0.25 (6)
50' (15.2 m)	41'-1" (12.5 m)	10 tapered to 6 (250 to 150)	0.312 (8)



TENON DETAIL



SECTION A-A



SECTION B-B

- ① Lower shaft length shall be from the bottom of the pole base to the bottom of the slip joint.
- ② 5° max. for unloaded pole, 1.5° max. for loaded pole.

GENERAL NOTES

See Standard 836001 for Light Pole Foundation and grounding electrode.

See Standard 720001 for pole identification banding to pole.

Voids in light pole base shall be sealed to prevent rodent entry.

Provide breakaway devices where required.

Where anchor rods on existing bridge parapets are too short to mount poles as shown, install leveling plate directly on concrete and level with stainless steel washers.

All dimensions are in inches (millimeters) unless otherwise shown.

DAVIT LIGHT POLE

(Single or twin mount)

* Unless directed otherwise by the Engineer.

Illinois Department of Transportation

PASSED January 1, 2019
ME Reppelt
 ELECTRICAL AND MECHANICAL UNIT CHIEF

APPROVED January 1, 2019
J. E. ...
 ENGINEER OF DESIGN AND ENVIRONMENT

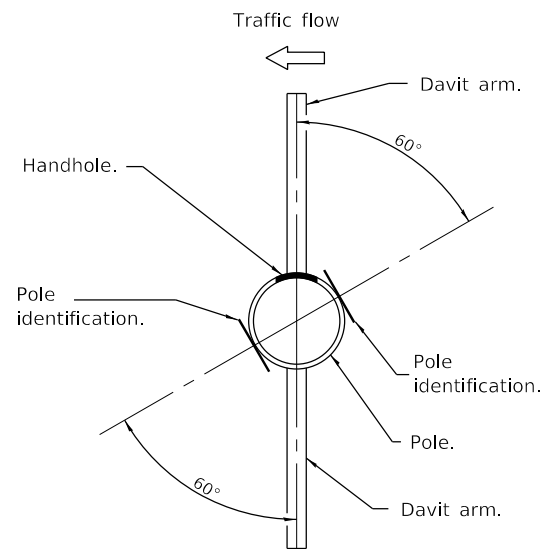
ISSUED 1-1-12

DATE	REVISIONS
1-1-19	Revised standard to comply with the 2013 version of AASHTO.
1-1-17	Added notes ③ and ④.

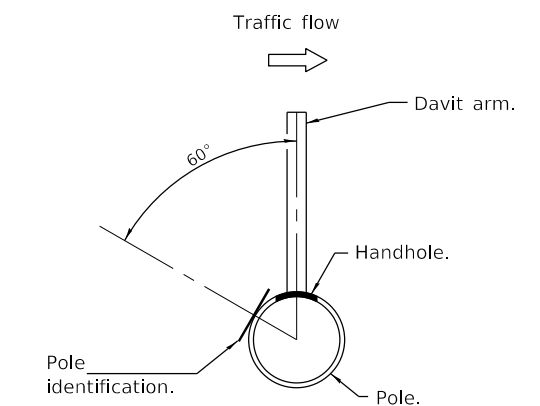
LIGHT POLE ALUMINUM DAVIT ARM

(Sheet 1 of 2)

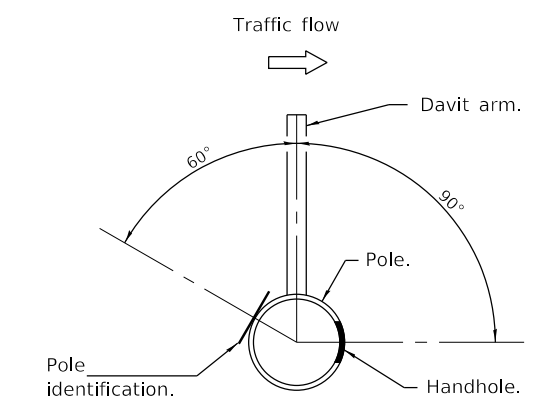
STANDARD 830006-05



Traffic flow
Pole on median barrier wall.

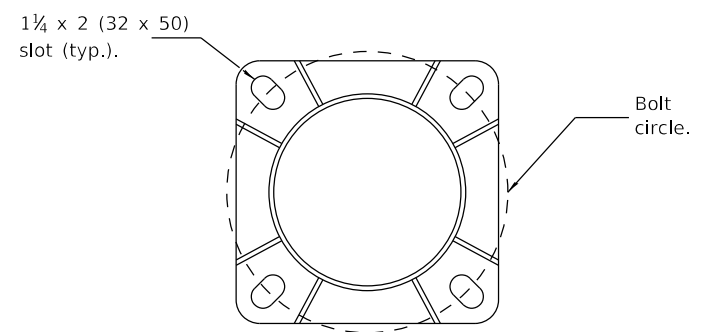


Traffic flow
Pole on barrier wall, retaining wall or parapet.



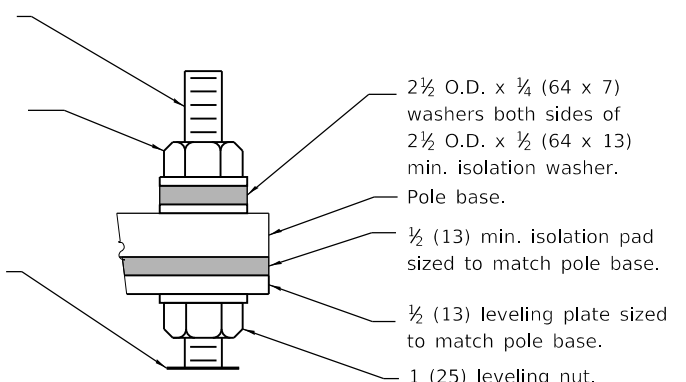
Traffic flow
Pole on ground mounted foundation.

HANDHOLE / IDENTIFICATION ORIENTATION DETAIL

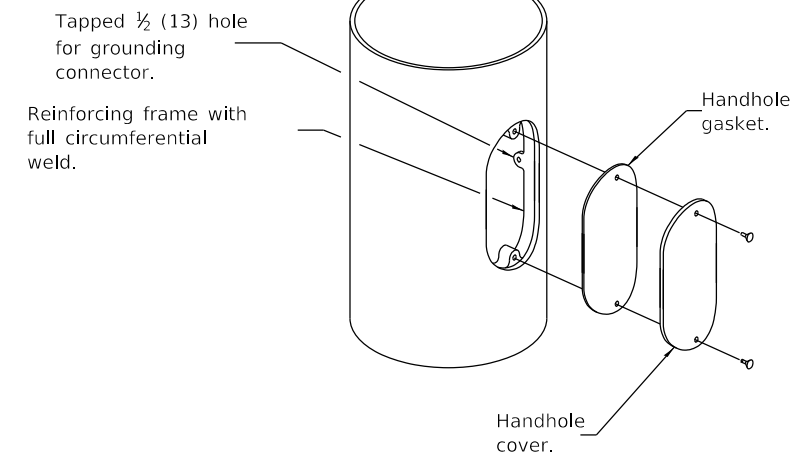


SECTION A-A
(Bolts not shown)

See Bridge Plans for 1 (25) anchor rod by others.
1 (25) self-locking nut. Install with torque wrench to isolation pad man. specifications.
Bridge parapet.

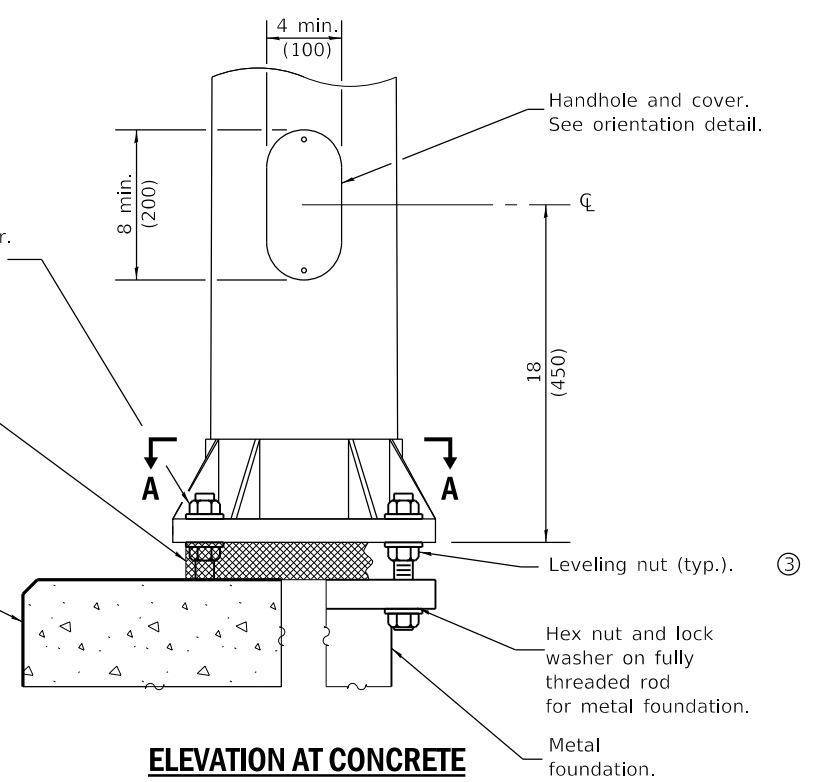


DETAIL A



HANDHOLE DETAIL

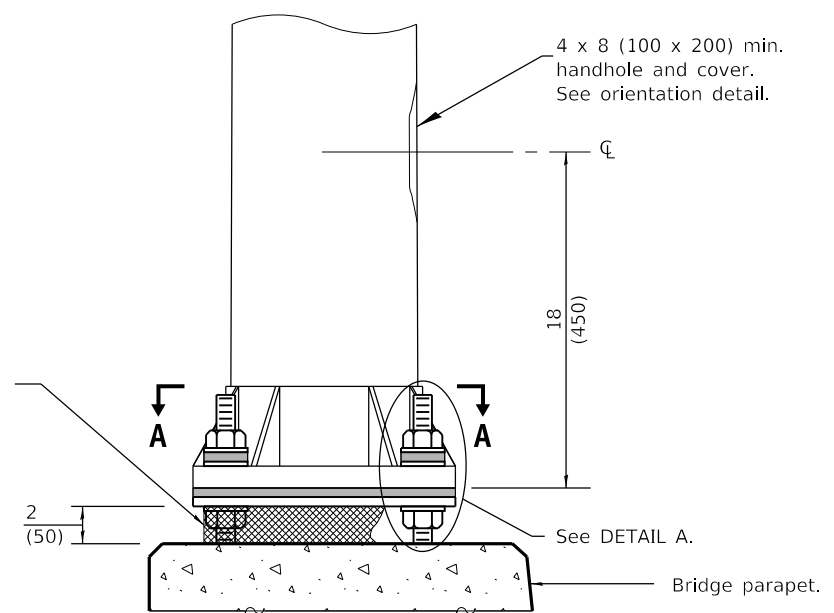
Hex nut with washer. Washer shall cover entire slot (typ.). Nut covers required but not shown.
Screen wrapped around nuts and anchor rods between foundation and bottom of pole base. Provide 6 (150) minimum overlap and wire-tie with matching wire.
Concrete foundation, barrier or retaining wall.



ELEVATION AT CONCRETE FOUNDATION, METAL FOUNDATION OR RETAINING WALL

③ Omit leveling nuts when breakaway devices are required.

Screen wrapped around nuts and anchor rods between foundation and bottom of leveling plate. Provide 6 (150) minimum overlap and wire-tie with matching wire.



ELEVATION AT BRIDGE PARAPET

POLE BASE DETAILS

Illinois Department of Transportation
PASSED January 1, 2019
ME Reppelt
ELECTRICAL AND MECHANICAL UNIT CHIEF
APPROVED January 1, 2019
S. E. C. E.
ENGINEER OF DESIGN AND ENVIRONMENT
ISSUED 1-1-12

LIGHT POLE ALUMINUM DAVIT ARM
(Sheet 2 of 2)
STANDARD 830006-05