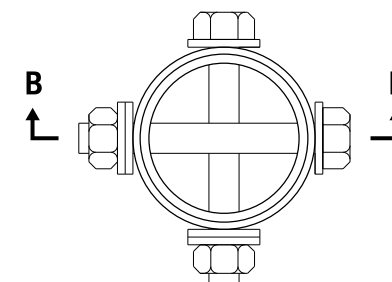
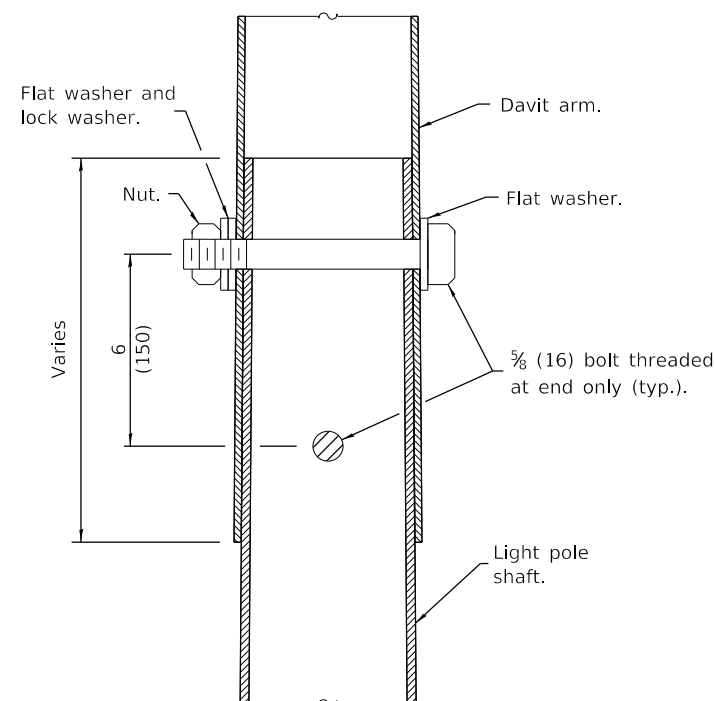


BASE PLATE		
MOUNTING HEIGHT	BOLT CIRCLE DIAMETER	BASE PLATE THICKNESS
35' (10.7 m) or less	11½ (290)	1 (25)
Greater than 35' (10.7 m) to 50' (15.2 m)	15 (380)	1¼ (32)

POLE LOWER SHAFT			
MOUNTING HEIGHT	LOWER SHAFT LENGTH ①	MINIMUM SHAFT DIAMETER	MINIMUM WALL THICKNESS
30' (9.1 m)	21'-1" (6.4 m)	8 tapered to 6 (200 to 114)	10 gauge
35' (10.7 m)	26'-1" (7.9 m)	8 tapered to 6 (200 to 114)	10 gauge
40' (12.2 m)	31'-1" (9.5 m)	10 tapered to 6 (250 to 150)	7 gauge
45' (13.7 m)	36'-1" (11.0 m)	10 tapered to 6 (250 to 150)	7 gauge
50' (15.2 m)	41'-1" (12.5 m)	10 tapered to 6 (250 to 150)	7 gauge



SECTION A-A



SECTION B-B

- ① Lower shaft length shall be from the bottom of the pole base to the bottom of the slip joint.
- ② 3° max. for unloaded pole, 1.5° max. for loaded pole.

GENERAL NOTES

See Standard 836001 for Light Pole Foundation and grounding electrode.

See Standard 720001 for pole identification banding to pole.

Provide breakaway devices where required.

Where anchor rods on existing bridge parapets are too short to mount poles as shown, install leveling plate directly on concrete and level with stainless steel washers.

All dimensions are in inches (millimeters) unless otherwise shown.

Illinois Department of Transportation

PASSED January 1, 2019
ME Reppelt
 ELECTRICAL AND MECHANICAL UNIT CHIEF

APPROVED January 1, 2019
J. E. ...
 ENGINEER OF DESIGN AND ENVIRONMENT

ISSUED 1-1-12

DAVIT LIGHT POLE

(Single or twin mount)

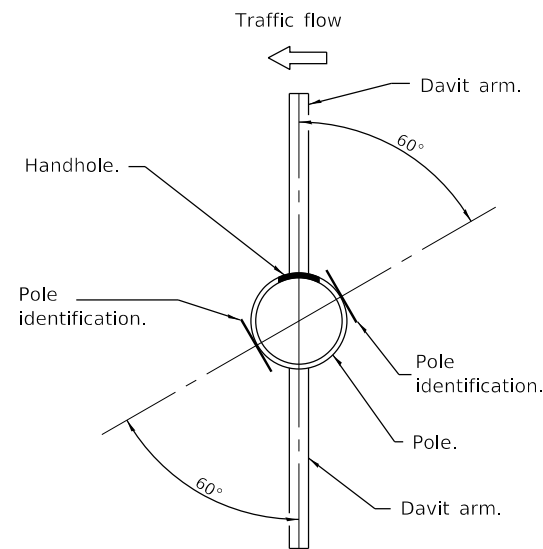
* Unless directed otherwise by the Engineer.

DATE	REVISIONS
1-1-19	Revised BASE PLATE table.
1-1-14	Added pole mounted on bridge parapet. Modified attachment of screen.

**LIGHT POLE
STEEL DAVIT ARM**

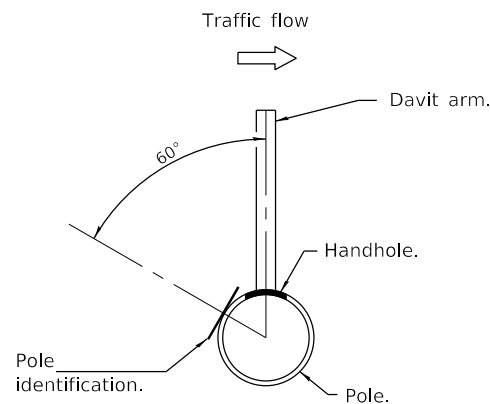
(Sheet 1 of 2)

STANDARD 830016-03

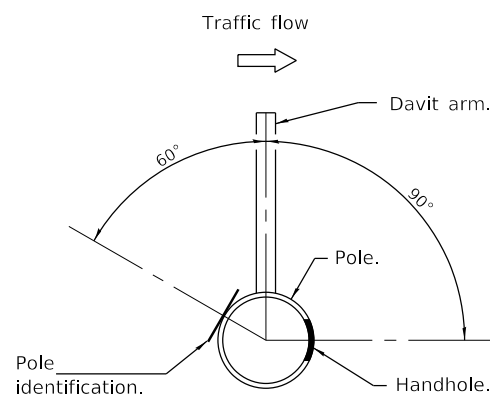


Traffic flow

Pole on median barrier wall.

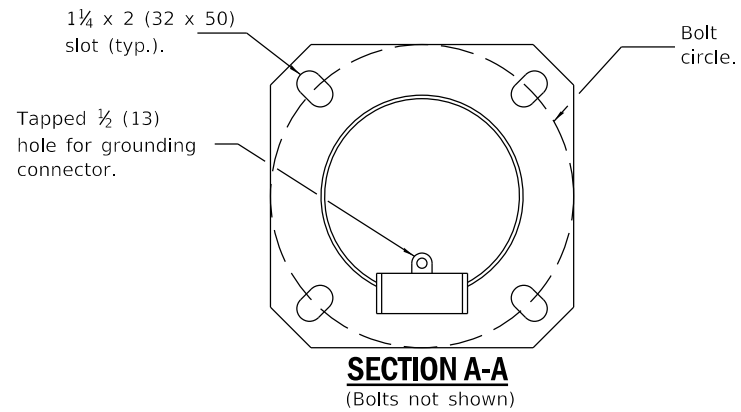


Pole on barrier wall, retaining wall or parapet.



Pole on ground mounted foundation.

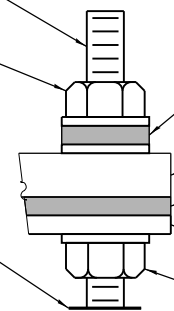
HANDHOLE / IDENTIFICATION ORIENTATION DETAIL



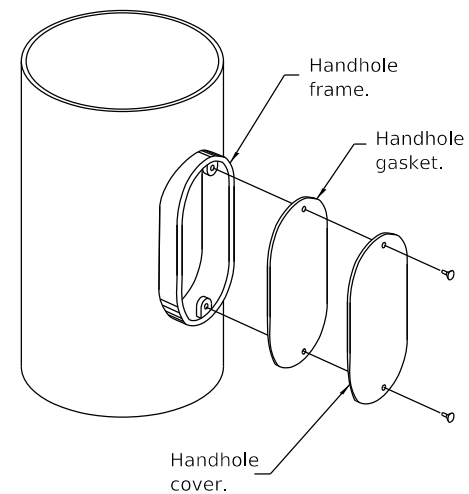
See Bridge Plans for 1 (25) anchor rod by others.

1 (25) self-locking nut. Install with torque wrench to isolation pad man. specifications.

Bridge parapet.



DETAIL A

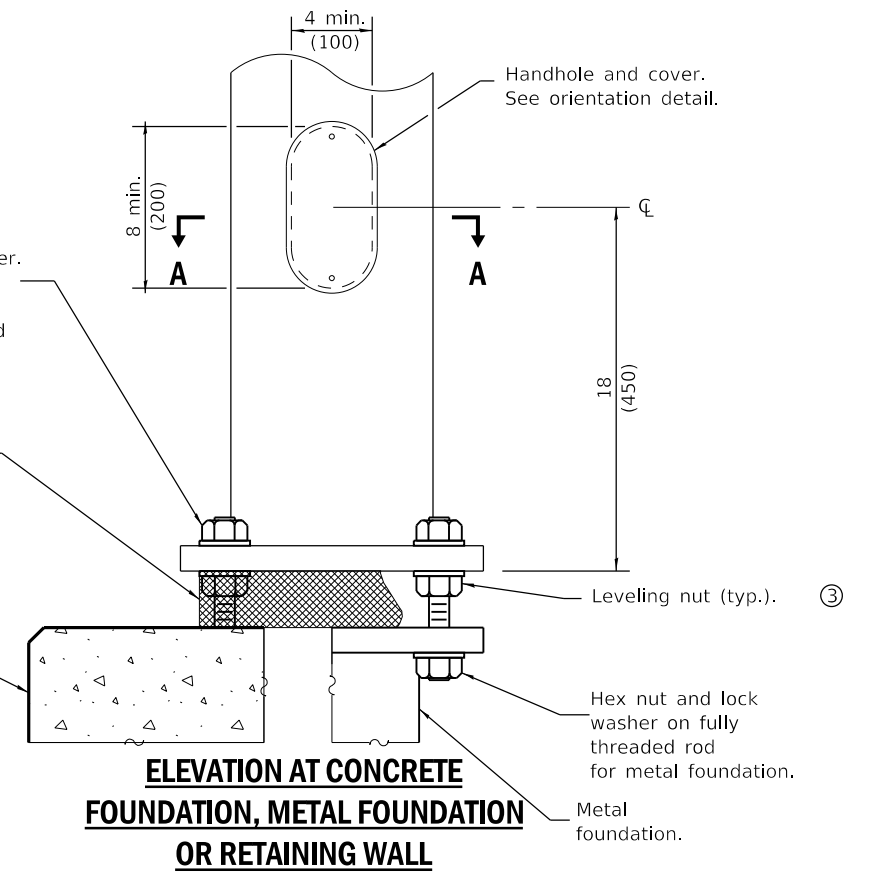


HANDHOLE DETAIL

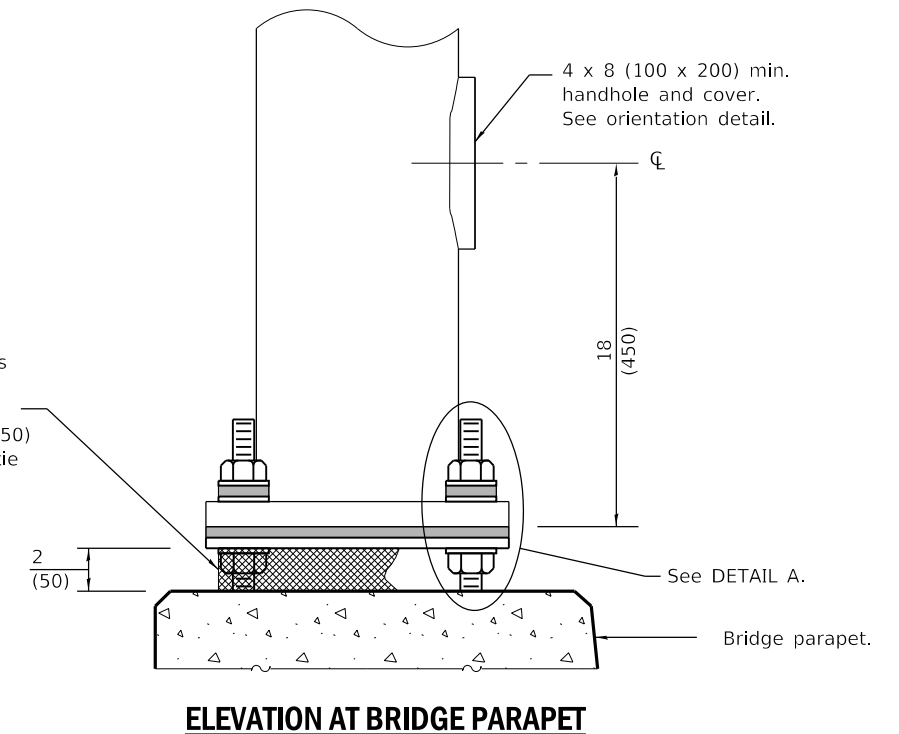
Hex nut with washer. Washer shall cover entire slot (typ.). Nut covers required but not shown.

Screen wrapped around nuts and anchor rods between foundation and bottom of pole base. Provide 6 (150) minimum overlap and wire-tie with matching wire.

Concrete foundation, barrier or retaining wall.



Screen wrapped around nuts and anchor rods between foundation and bottom of leveling plate. Provide 6 (150) minimum overlap and wire-tie with matching wire.



POLE BASE DETAILS

LIGHT POLE STEEL DAVIT ARM

(Sheet 2 of 2)

STANDARD 830016-03

Illinois Department of Transportation

PASSED January 1, 2019

ME Reppelt
ELECTRICAL AND MECHANICAL UNIT CHIEF

APPROVED January 1, 2019

J. E. C.
ENGINEER OF DESIGN AND ENVIRONMENT

ISSUED 1-1-12