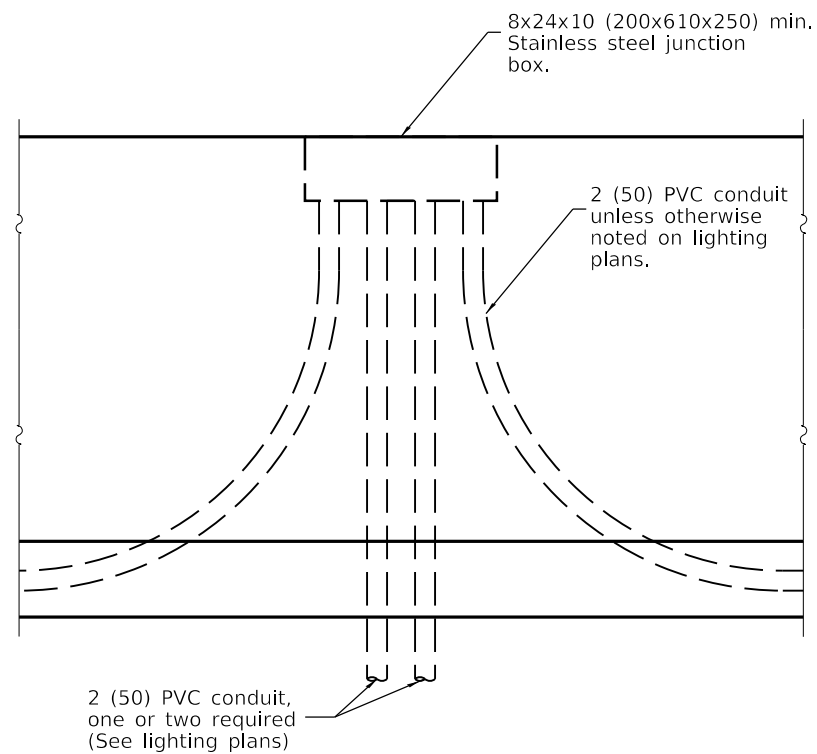
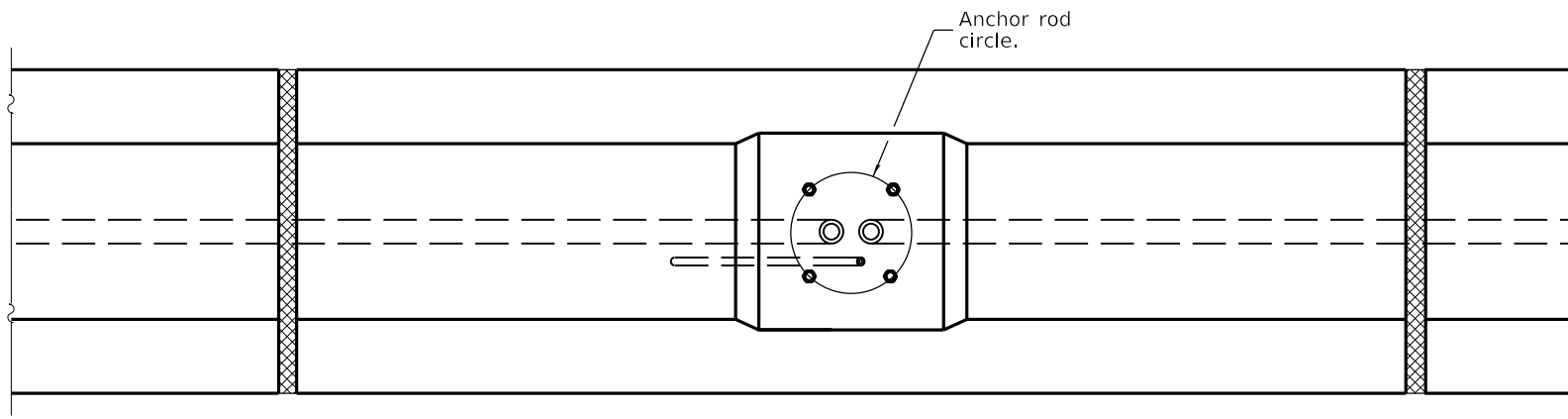
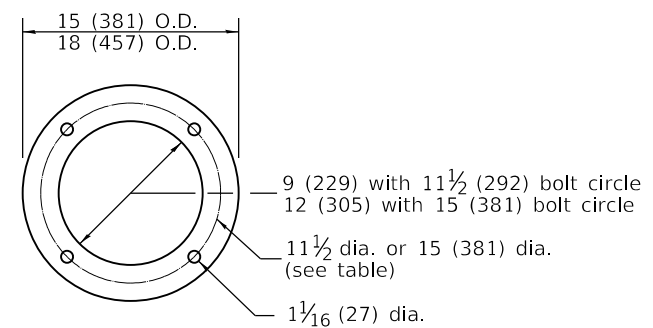


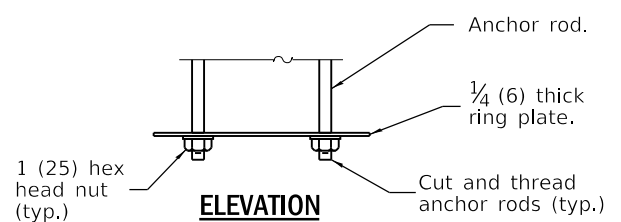
| FOUNDATION TABLE             |                |                   |                   |                        |
|------------------------------|----------------|-------------------|-------------------|------------------------|
| LIGHT POLE MOUNTING HEIGHT   | SHAFT DIAMETER | SHAFT DEPTH       | ANCHOR ROD LENGTH | ANCHOR ROD CIRCLE DIA. |
| ≤30'<br>(9.1 m)              | 24<br>(610)    | 36<br>(914)       | 6'-2"<br>(1.88 m) | 11½<br>(292)           |
| 31'-35'<br>(9.4 m - 10.7 m)  | 24<br>(610)    | 3'-6"<br>(1.06 m) | 6'-8"<br>(2.03 m) | 11½<br>(292)           |
| 36'-40'<br>(10.9 m - 12.2 m) | 30<br>(762)    | 4'-0"<br>(1.22 m) | 7'-2"<br>(2.18 m) | 15<br>(381)            |
| 41'-45'<br>(12.5 m - 13.7 m) | 30<br>(762)    | 4'-6"<br>(1.37 m) | 7'-8"<br>(2.34 m) | 15<br>(381)            |
| 46'-50'<br>(14.0 m - 15.2 m) | 30<br>(762)    | 5'-0"<br>(1.52 m) | 8'-2"<br>(2.49 m) | 15<br>(381)            |



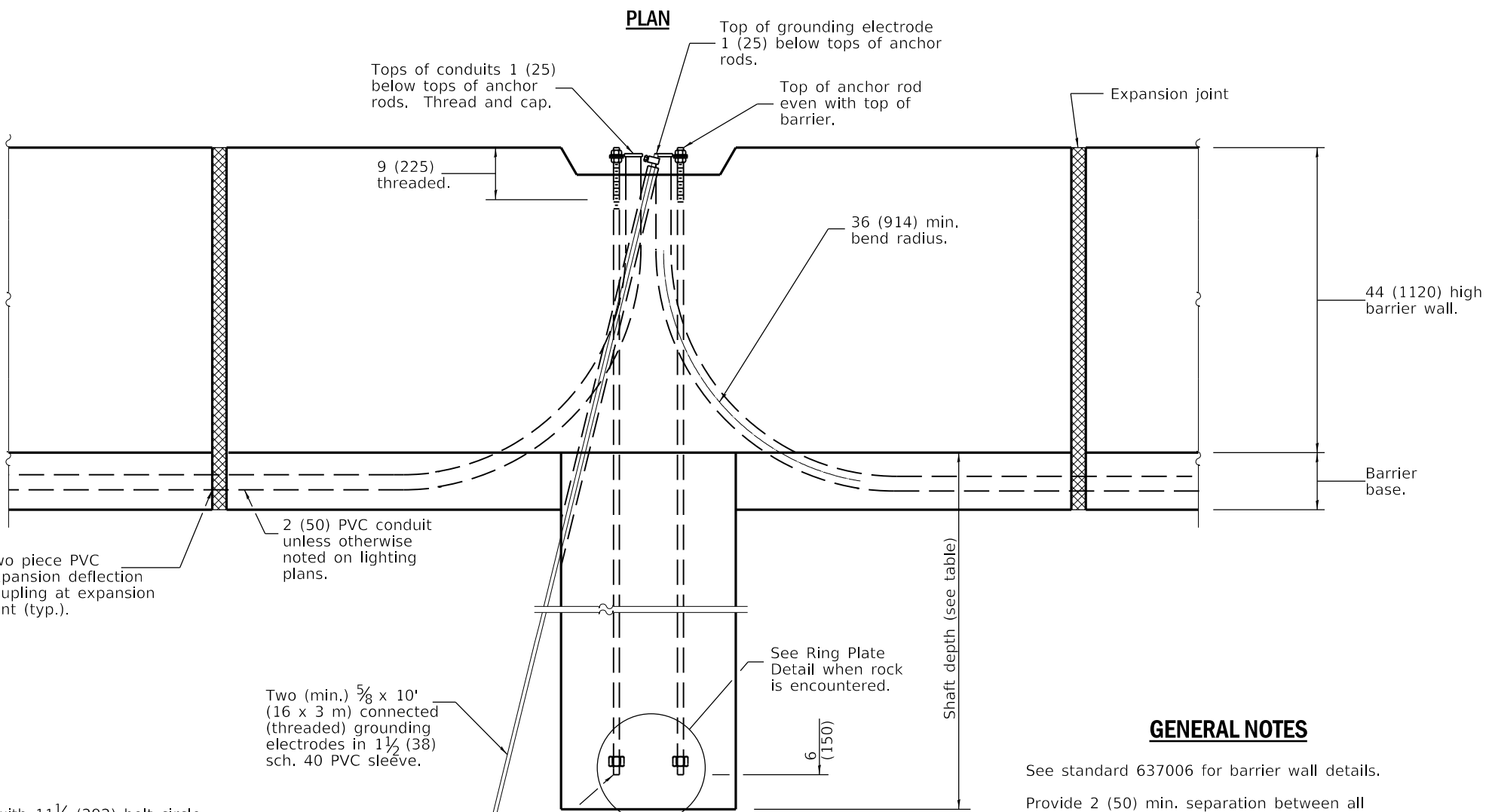
**JUNCTION BOX ELEVATION**



**PLAN**



**RING PLATE DETAIL ELEVATION**



**ELEVATION**

**LIGHT POLE FOUNDATION**

**GENERAL NOTES**

See standard 637006 for barrier wall details.

Provide 2 (50) min. separation between all conduits.

When rock is encountered the foundation depth may be reduced 6 (150) for every 12 (300) of embedment in rock. The minimum foundation depth shall be 30 (760) with cut anchor rods 6 (150) above bottom of excavated hole. See ring plate detail.

All dimensions are in inches (millimeters) unless otherwise shown.

Illinois Department of Transportation

PASSED January 1, 2019

ME Deppetto  
ELECTRICAL AND MECHANICAL UNIT CHIEF

APPROVED January 1, 2019

ENGINEER OF DESIGN AND ENVIRONMENT

ISSUED 1-1-13

| DATE   | REVISIONS   |
|--------|---|
| 1-1-19 | Revised standard for new constant slope median barrier. |
|        | Renamed standard.                                       |
| 1-1-14 | Modified grounding meathod.                             |
|        | Revised general notes.                                  |

**LIGHT POLE FOUNDATION WITH 44 IN. (1120 mm) CONCRETE BARRIER**

**STANDARD 836011-02**