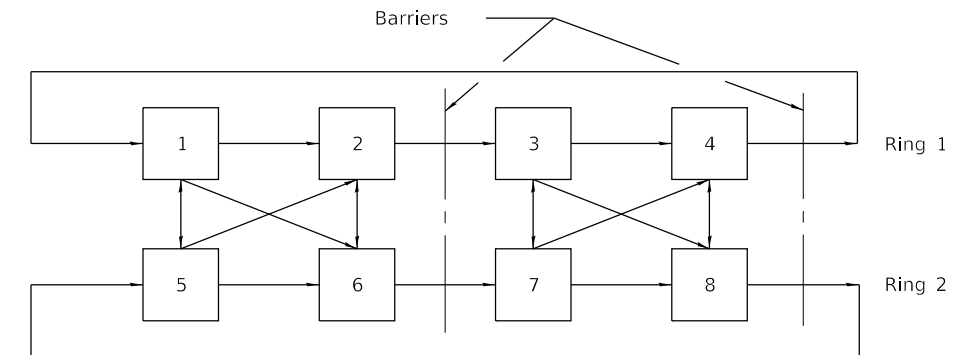


STANDARD PHASE DESIGNATION DIAGRAM (NEMA)



**NEMA EIGHT PHASE DUAL RING
ACTUATED CONFIGURATION**

LEGEND

- (X), [X] Vehicular phase no. x
- (PX) Pedestrian phase no. x
- (A), (B), (C), (D) Right turn overlaps where:
 - (A) = (2) + (3)
 - (B) = (4) + (5)
 - (C) = (6) + (7)
 - (D) = (8) + (1)
- NEMA National Electrical Manufacturers Association

Illinois Department of Transportation

PASSED January 1, 2009

ENGINEER OF OPERATIONS

APPROVED January 1, 2009

ENGINEER OF DESIGN AND ENVIRONMENT

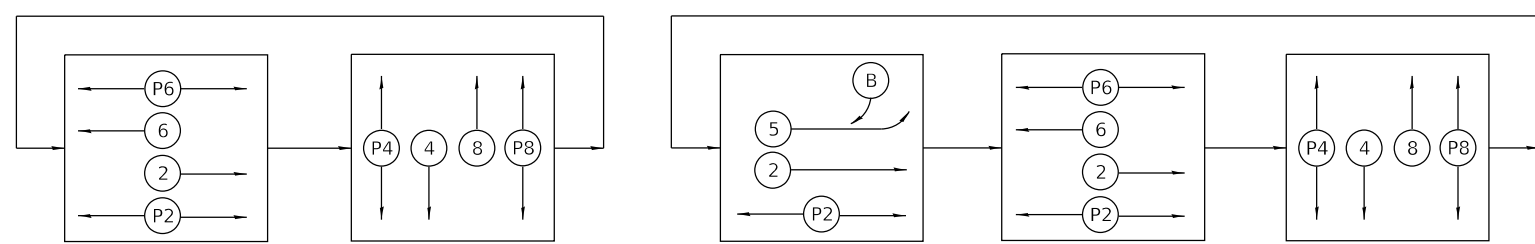
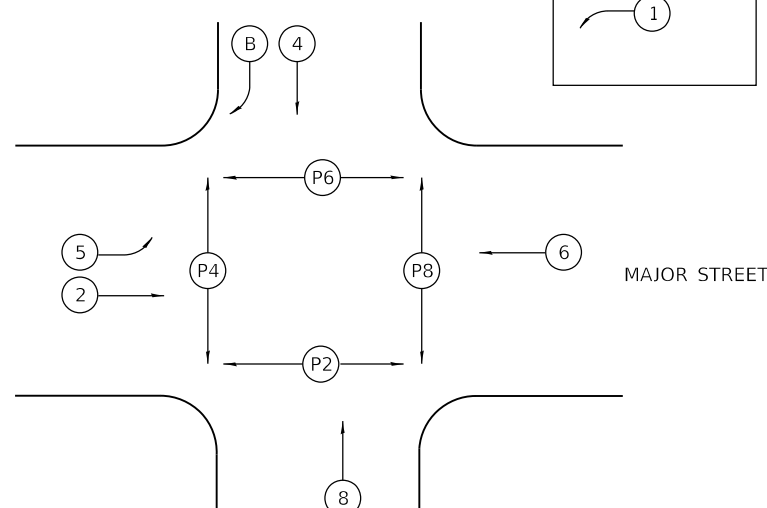
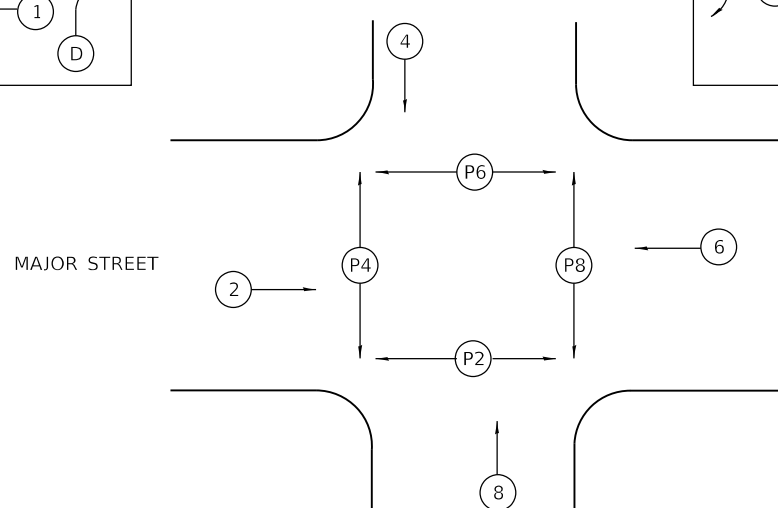
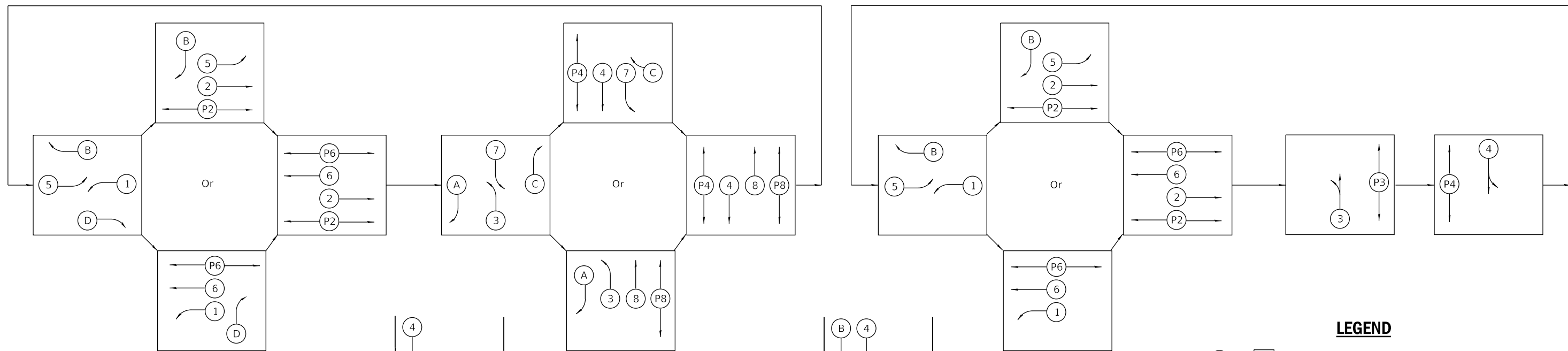
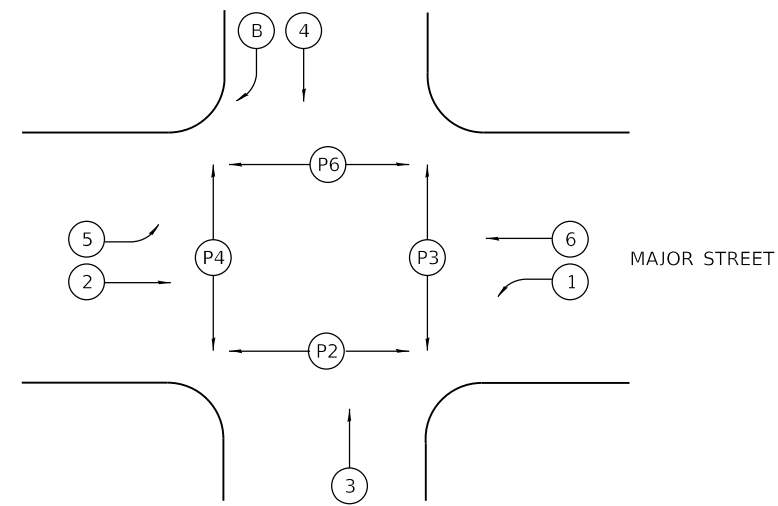
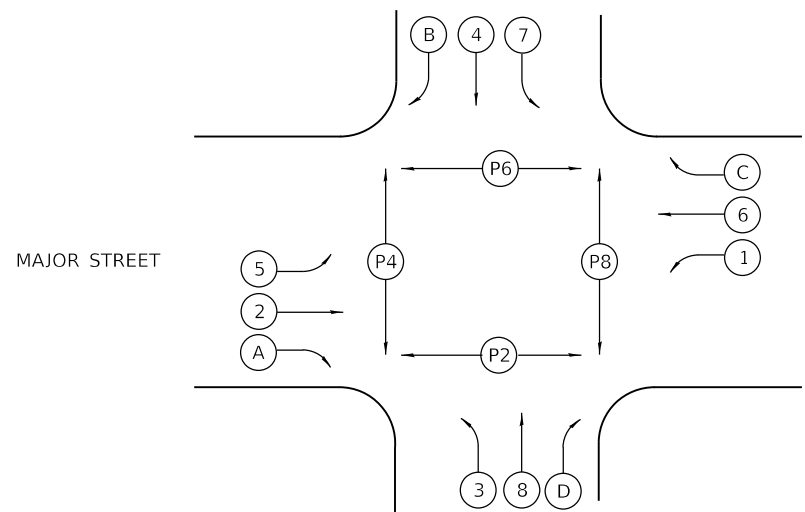
ISSUED 1-1-97

DATE	REVISIONS
1-1-09	Omitted note regarding units of length.
1-1-97	Renum. Standard 2393-2.

**STANDARD PHASE
DESIGNATION DIAGRAMS
AND PHASE SEQUENCES**

(Sheet 1 of 2)

STANDARD 857001-01



LEGEND

(X), [X] Vehicular phase no. x
 (PX) Pedestrian phase no. x
 (A), (B), (C), (D) Right turn overlaps where:
 (A) = (2) + (3)
 (B) = (4) + (5)
 (C) = (6) + (7)
 (D) = (8) + (1)

NEMA National Electrical Manufacturers Association

Illinois Department of Transportation

PASSED January 1, 2009
 ENGINEER OF OPERATIONS

APPROVED January 1, 2009
 ENGINEER OF DESIGN AND ENVIRONMENT

ISSUED 1-1-97

PHASE DESIGNATION DIAGRAMS AND CORRESPONDING PHASE SEQUENCES

STANDARD PHASE DESIGNATION DIAGRAMS AND PHASE SEQUENCES
 (Sheet 2 of 2)
STANDARD 857001-01