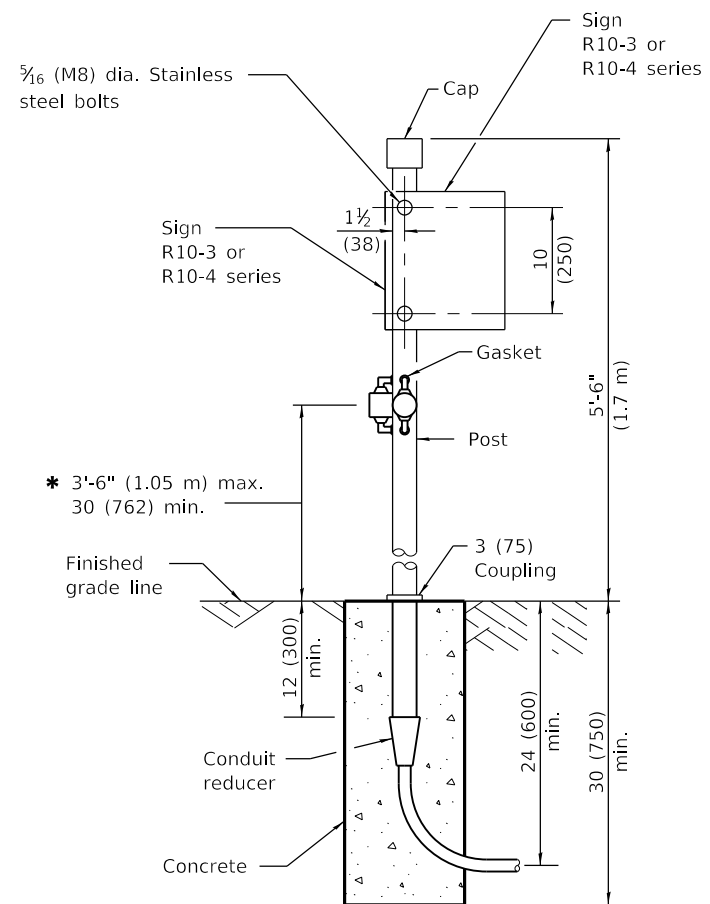
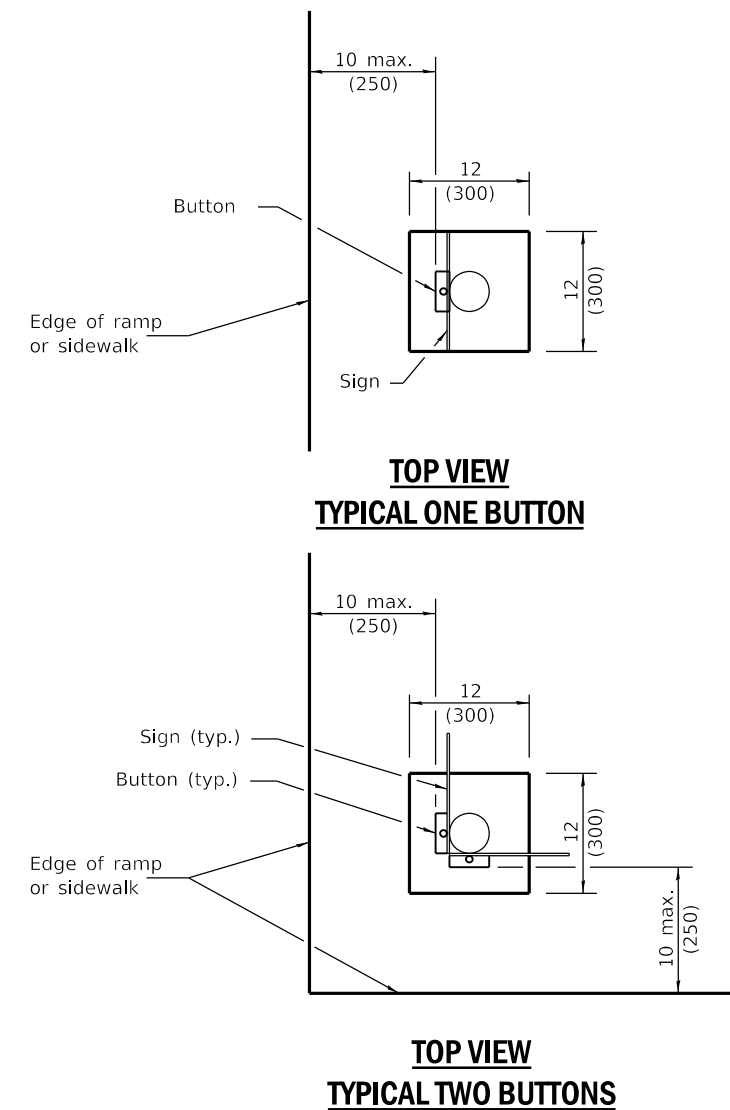


PEDESTRIAN ONE PUSH BUTTON POST



PEDESTRIAN TWO PUSH BUTTON POST



* 36 (914) preferred

All dimensions are in inches (millimeters) unless otherwise shown.

Illinois Department of Transportation

PASSED April 1, 2016

Amy Allen
ENGINEER OF OPERATIONS

APPROVED April 1, 2016

[Signature]
ENGINEER OF DESIGN AND ENVIRONMENT

ISSUED 1-1-07

DATE	REVISIONS
4-1-16	Revised sign numbers for consistency with current MUTCD.
1-1-14	Revised and added dimensions for PROWAG reach range requirements.

PEDESTRIAN PUSH BUTTON POST

STANDARD 876001-04