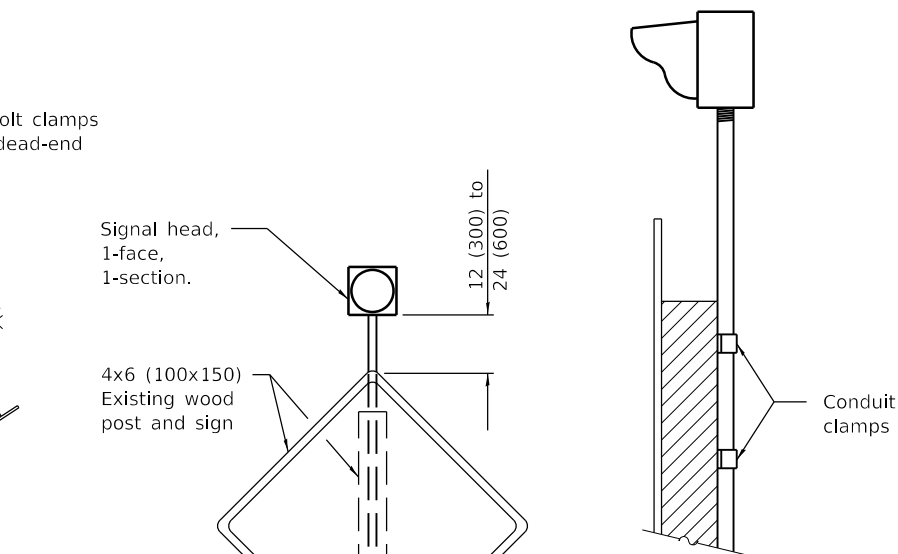
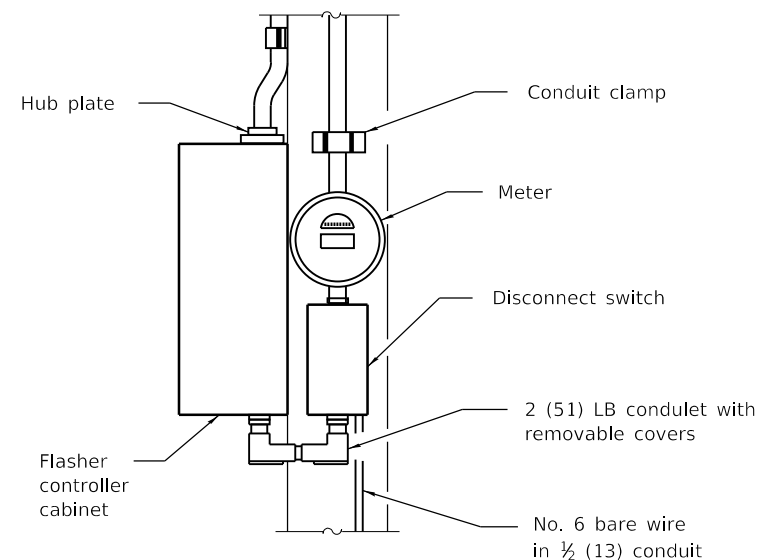


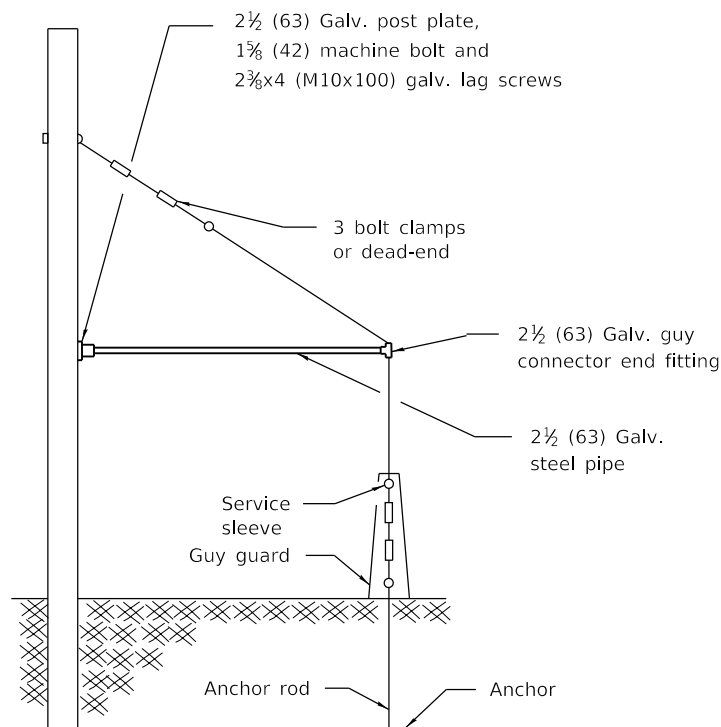
**SPAN WIRE MOUNTED SIGNALS AND FLASHING BEACON**



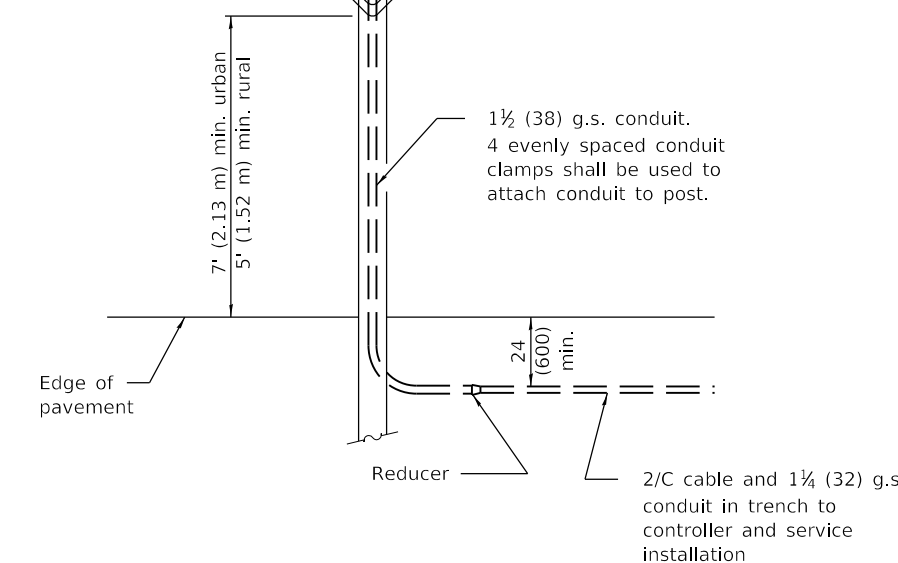
**MOUNTING DETAIL**



**CONTROL POLE DETAIL**



**SIDEWALK GUY DETAIL**



**POST MOUNTED FLASHING BEACON**

All dimensions are in inches (millimeters) unless otherwise shown.

Illinois Department of Transportation

PASSED January 1, 2009

ENGINEER OF OPERATIONS

APPROVED January 1, 2009

ENGINEER OF DESIGN AND ENVIRONMENT

ISSUED 1-1-02

DATE	REVISIONS
1-1-09	Switched units to English (metric).
1-1-02	Renum. Standard 840001.

**SPAN WIRE MOUNTED SIGNALS AND FLASHING BEACON INSTALLATION**

**STANDARD 880001-01**