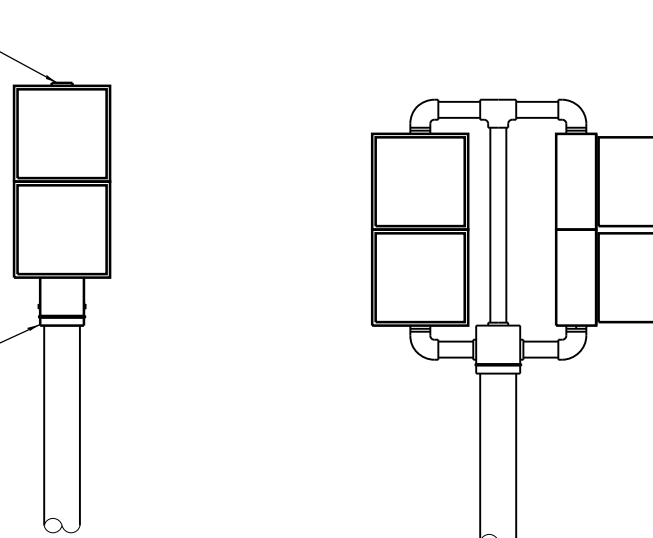


**POST MOUNTED
TRAFFIC SIGNAL HEAD**

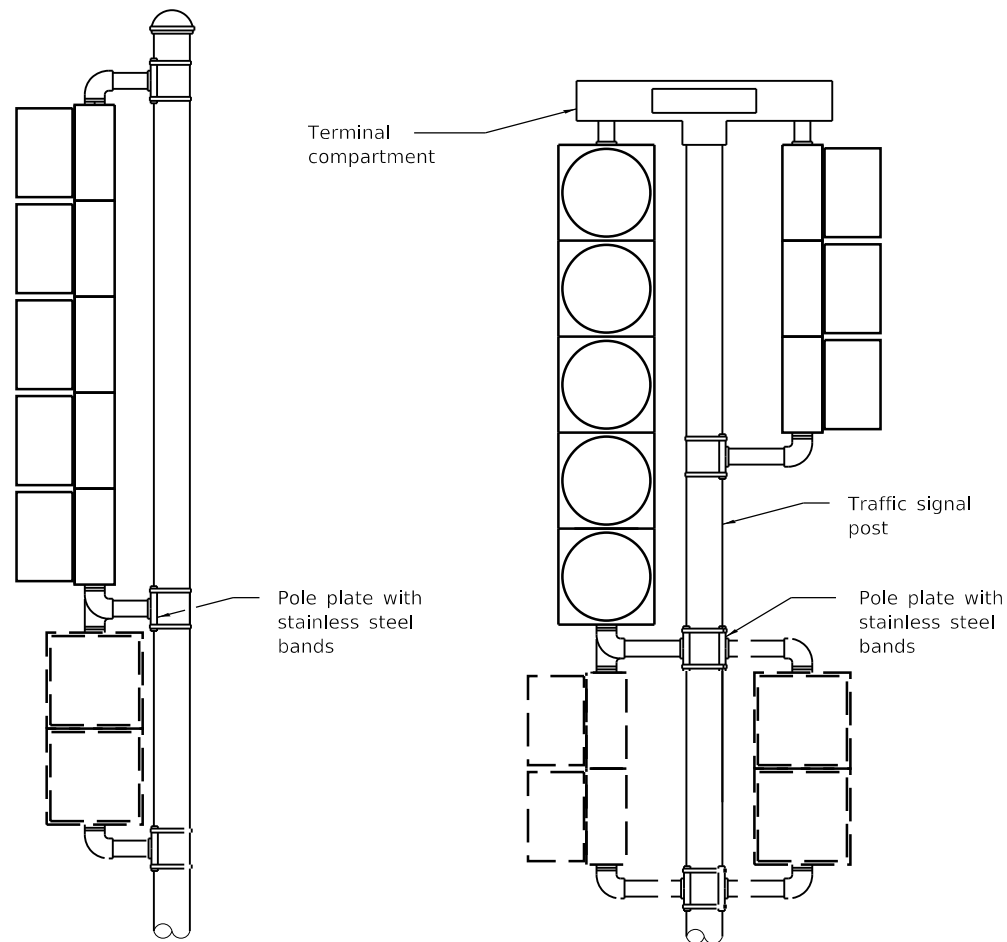
ONE WAY



**POST MOUNTED
PEDESTRIAN SIGNAL HEAD**

**POST MOUNTED
PEDESTRIAN SIGNAL HEAD**

TWO WAY

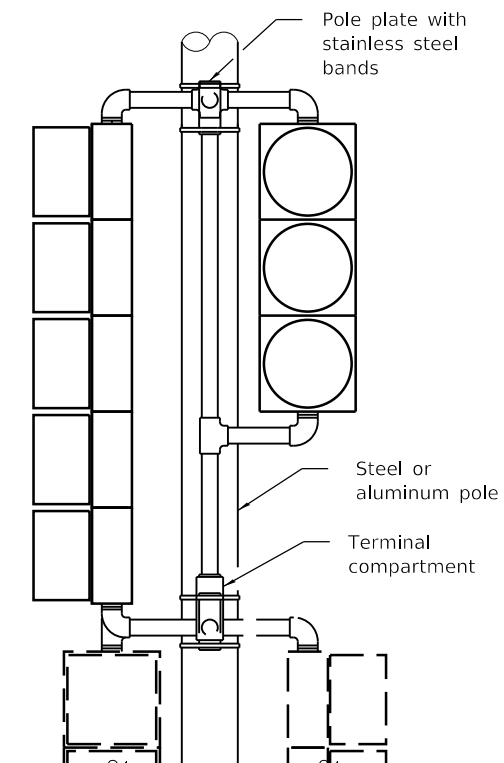


**BRACKET MOUNTED
TRAFFIC SIGNAL HEAD**

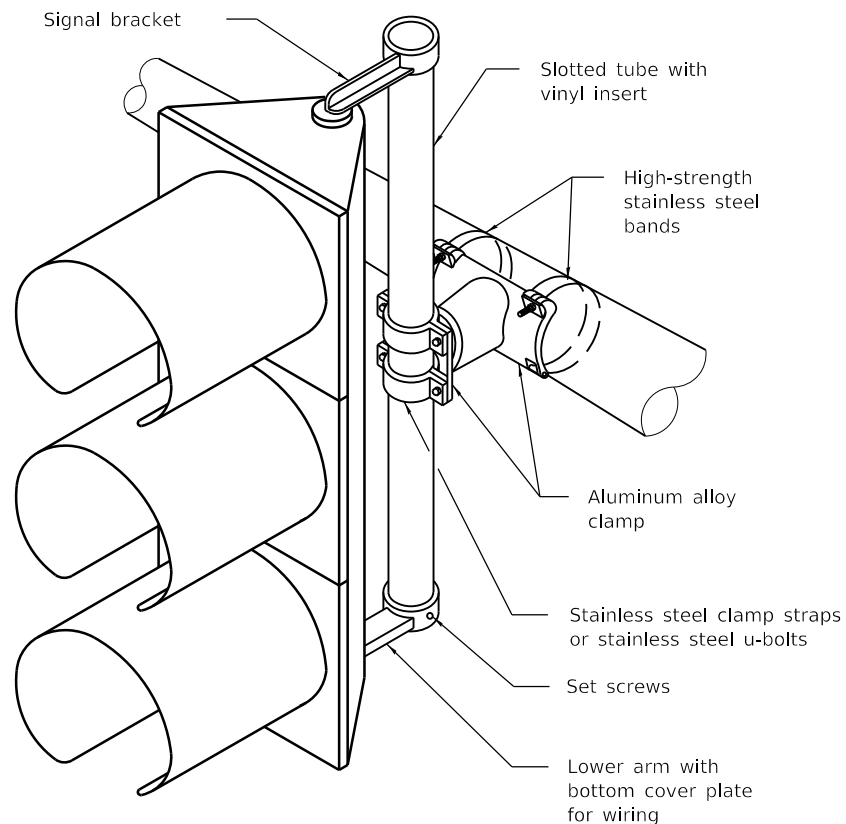
ONE WAY

**BRACKET MOUNTED
TRAFFIC SIGNAL HEAD**

TWO WAY



**BRACKET MOUNTED
TRAFFIC SIGNAL HEAD**



STEEL MAST ARM MOUNTING

Illinois Department of Transportation

PASSED January 1, 2009
Joe Hill
 ENGINEER OF OPERATIONS

APPROVED January 1, 2009
Ken E. Han
 ENGINEER OF DESIGN AND ENVIRONMENT

ISSUED 1-1-02

DATE	REVISIONS
1-1-09	Omitted note regarding units of length.
1-1-02	Renum. Standard 840006.

**TRAFFIC SIGNAL
MOUNTING DETAILS**

STANDARD 880006-01