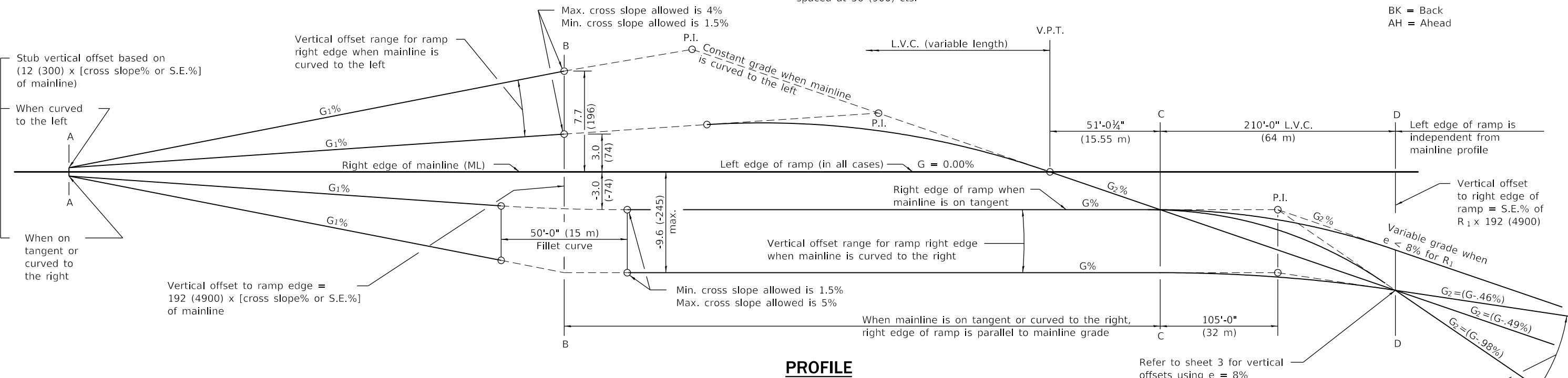


PLAN



PROFILE

See Sheet 3 for GENERAL NOTES

Illinois Department of Transportation

PASSED January 1, 2022

Michael Beard
ENGINEER OF POLICY AND PROCEDURES

APPROVED January 1, 2022

ENGINEER OF DESIGN AND ENVIRONMENT

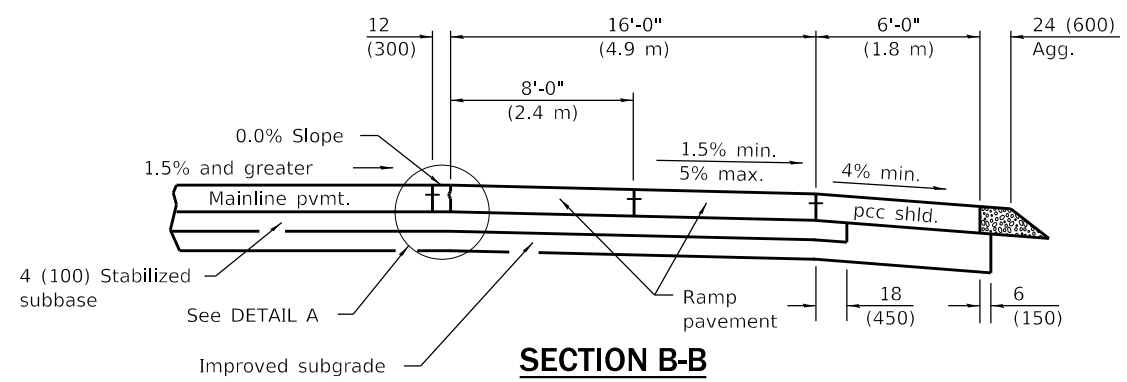
ISSUED 1-1-97

DATE	REVISIONS
1-1-22	Revised General Note for joints and joint spacings.
1-1-18	Changed tie bar spacing to 36 (900) cts.

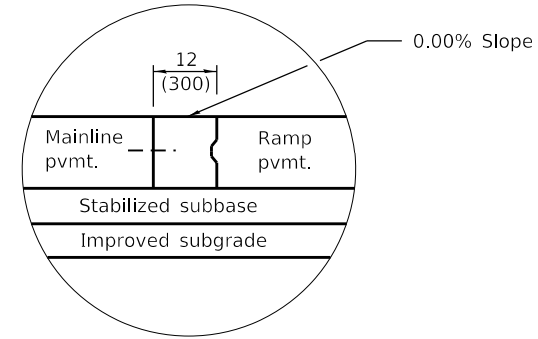
EXIT RAMP TERMINAL
(JOINTED PCC RAMP PAVEMENT
ADJACENT TO JOINTED PCC MAINLINE PAVEMENT)

(Sheet 1 of 3)

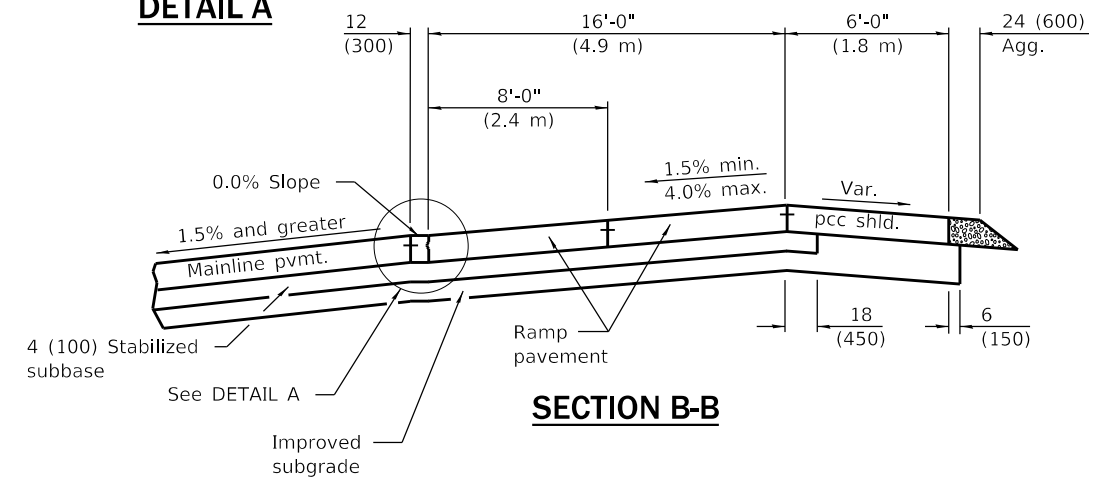
STANDARD 420301-09



SECTION B-B

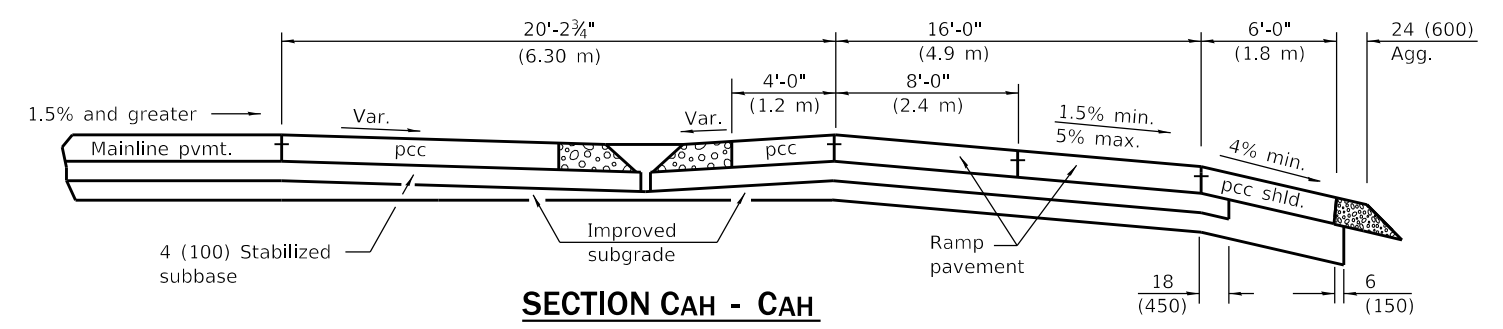


DETAIL A

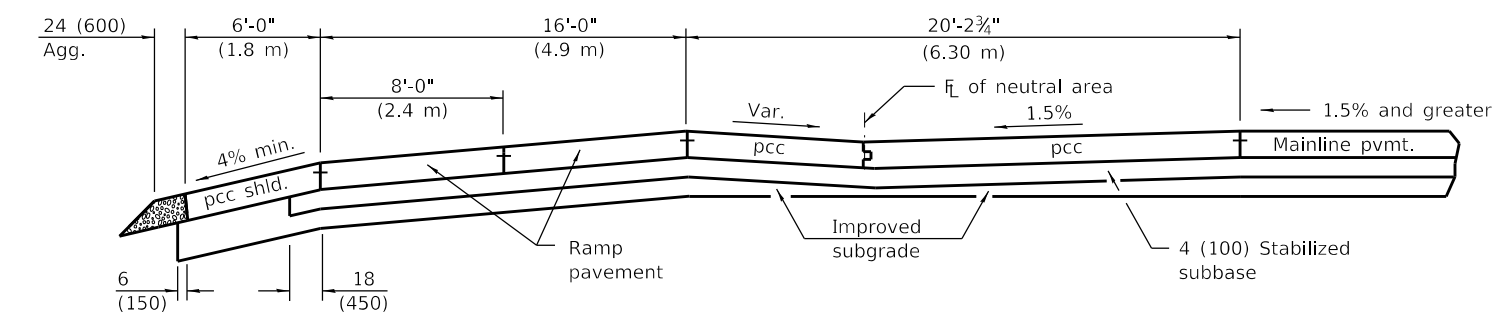


SECTION B-B

WHEN MAINLINE IS ON TANGENT OR CURVED TO THE RIGHT

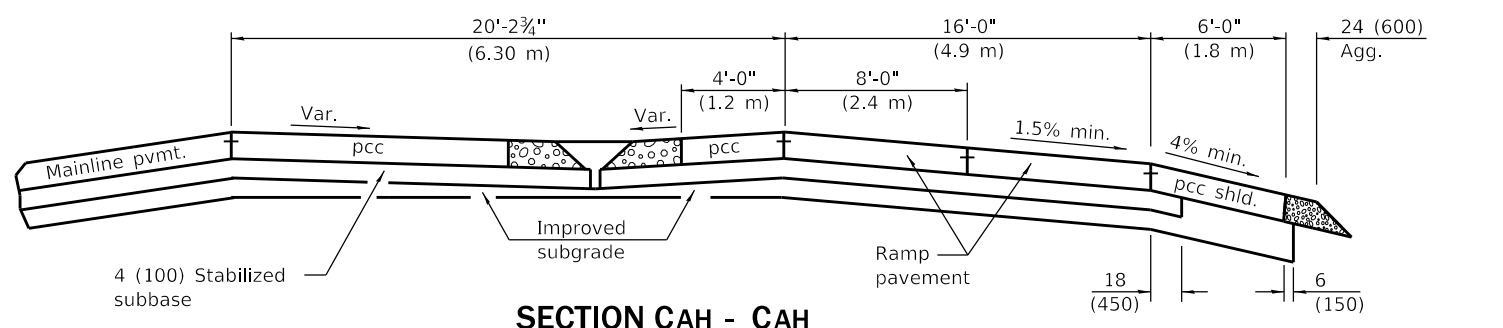


SECTION CAH - CAH

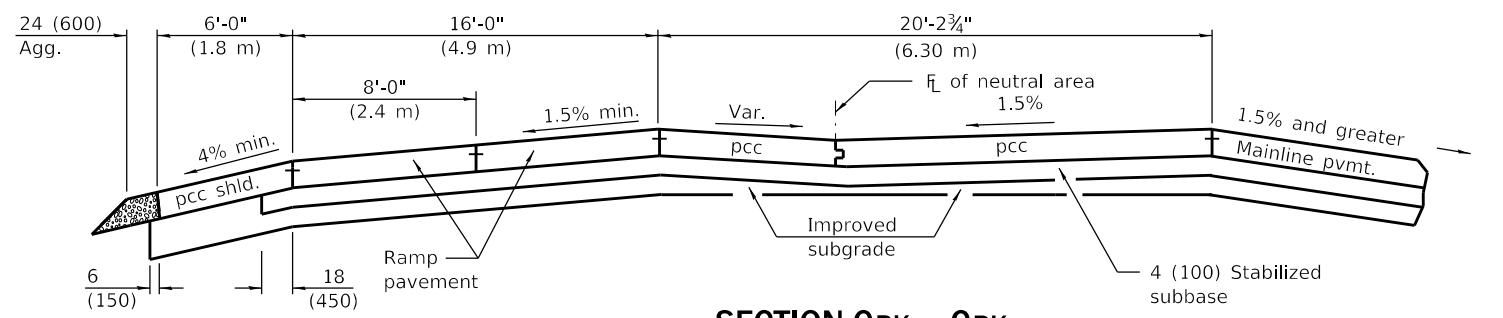


SECTION CBK - CBK

BK = Back
AH = Ahead



SECTION CAH - CAH



SECTION CBK - CBK

WHEN MAINLINE IS CURVED TO THE LEFT

See Sheet 3 for GENERAL NOTES

EXIT RAMP TERMINAL
(JOINTED PCC RAMP PAVEMENT
ADJACENT TO JOINTED PCC MAINLINE PAVEMENT)

(Sheet 2 of 3)

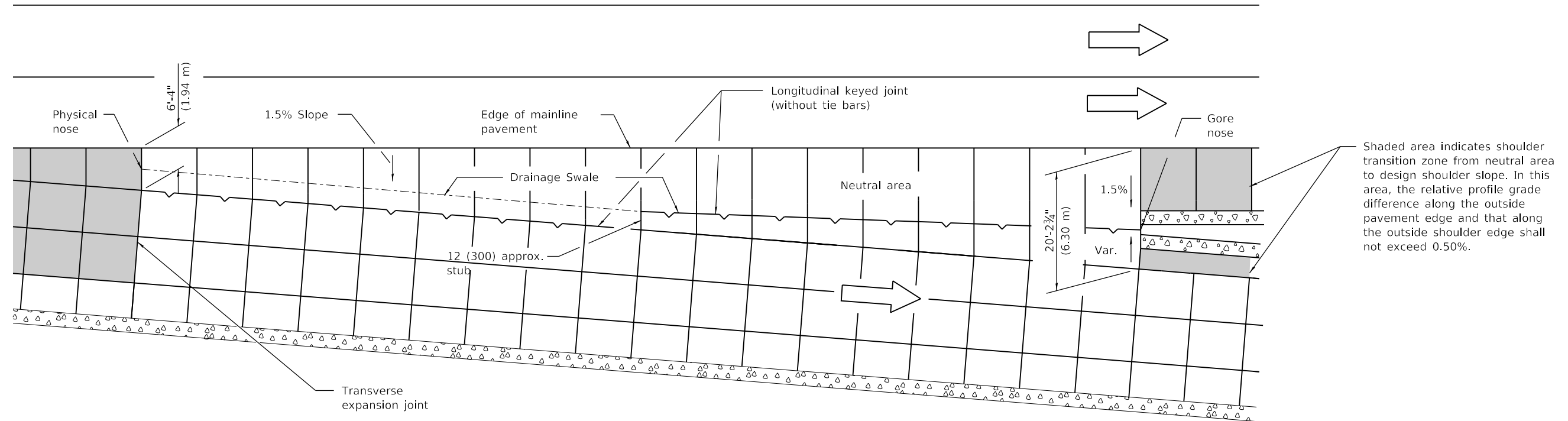
STANDARD 420301-09

Illinois Department of Transportation

PASSED January 1, 2022
Michael Beard
ENGINEER OF POLICY AND PROCEDURES

APPROVED January 1, 2022
John C. ...
ENGINEER OF DESIGN AND ENVIRONMENT

ISSUED 1-1-97



DETAILS FOR DRAINAGE IN NEUTRAL AREA

GENERAL NOTES

The initial ramp grade (G_2) is based on the line generated through the PI that is 105' (32 m) past Section C-C and the point created by the vertical offset at Section D-D.

See plans for actual grades.

Pavement joints and joint spacings shall be as shown on Standards 420001, 420101, and 420106.

See Standard 483001 for ramp shoulder details.

In the neutral area, provide a swale and flush inlet to enhance drainage.

When using grades expressed in %, the grade values shall be divided by 100 to obtain vertical offsets.

Where an exit ramp terminal is proposed adjacent to a mainline horizontal curve, construct the edge of the terminal by using offset widths, and for the terminal segment downstream from Section C-C to R_1 , construct the ramp as a 141' (43 m) tangent section.

All dimensions are in inches (millimeters) unless otherwise shown.

① Vertical offsets in inches for right edge of ramp, when $e = 8\%$

Sections	Mainline on Tangent	Mainline Curved Right	Mainline Curved Left
A	- 0.18	S.E. % ML x 12	S.E. % ML x 12 ②
B	- 3.0	S.E. % ML x 192	S.E. % ML x 192 ②
C	- 3.0	S.E. % ML x 192	- 3.0
D	- 15.4	- 15.4	- 15.4

① Vertical offsets in mm for right edge of ramp, when $e = 8\%$

Sections	Mainline on Tangent	Mainline Curved Right	Mainline Curved Left
A	- 5	S.E.% ML x 300	S.E.% ML x 300 ②
B	- 74	S.E.% ML x 4900	S.E.% ML x 4900 ②
C	- 74	S.E. % ML x 4900	- 74
D	- 392	- 392	- 392

- ① Vertical offset values are calculated and based on the right edge of mainline pavement at 0.0 % grade.
- ② The vertical offsets of these points are above the mainline pavement and lie on an upgrade in relationship to the mainline grade.
- ③ S.E.=Superelevation Rate

Illinois Department of Transportation

PASSED January 1, 2022
Michael Beard
 ENGINEER OF POLICY AND PROCEDURES

APPROVED January 1, 2022
Scott C. ...
 ENGINEER OF DESIGN AND ENVIRONMENT

ISSUED 1-1-97

EXIT RAMP TERMINAL
 (JOINTED PCC RAMP PAVEMENT
 ADJACENT TO JOINTED PCC MAINLINE PAVEMENT)

(Sheet 3 of 3)

STANDARD 420301-09