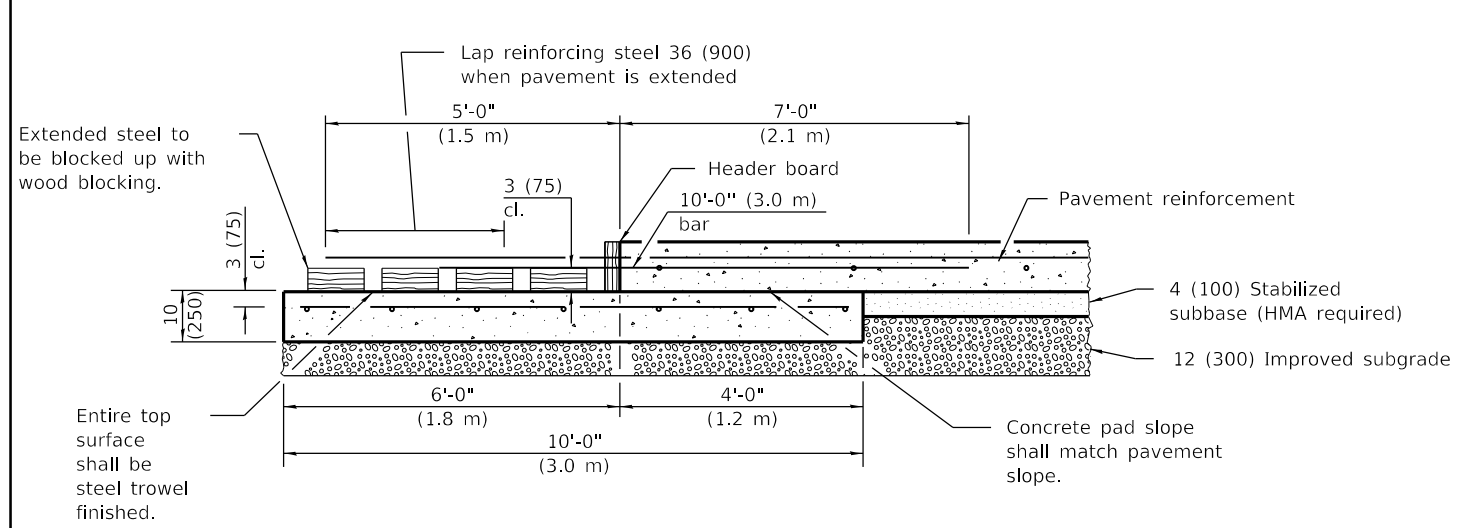
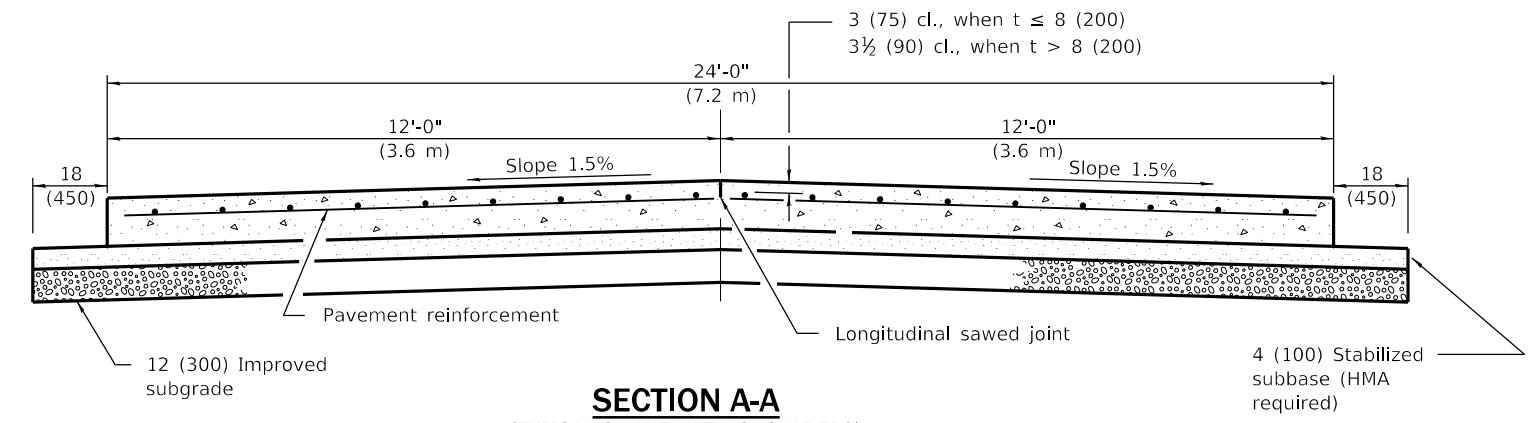


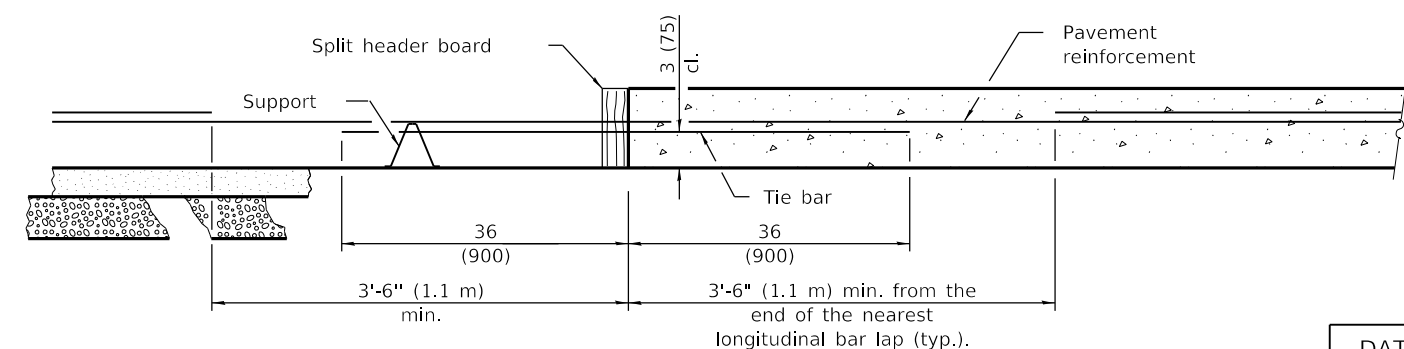
PLAN



TRANSVERSE TERMINAL JOINT SECTION B-B



SECTION A-A (TYPICAL 2-LANE WITH SHOULDERS)



TRANSVERSE CONSTRUCTION JOINT

GENERAL NOTES

Sealant components for the wide flange beam terminal joint shall be as follows: The sealant shall be Dow Corning 888 Silicone Highway Joint Sealant. The tape shall be Polyethylene Tape No. 40. The primer, used on the metal only, shall be Dow Corning 1200. At the Contractor's option the joint may be sealed as shown in the optional groove detail.

See Standards 420001 and 420401 for joint details not shown.

See Standard 421001 for details of pavement reinforcement.

All dimensions are in inches (millimeters) unless otherwise shown.

Illinois Department of Transportation

PASSED January 1, 2018
Michael Beard
 ENGINEER OF POLICY AND PROCEDURES

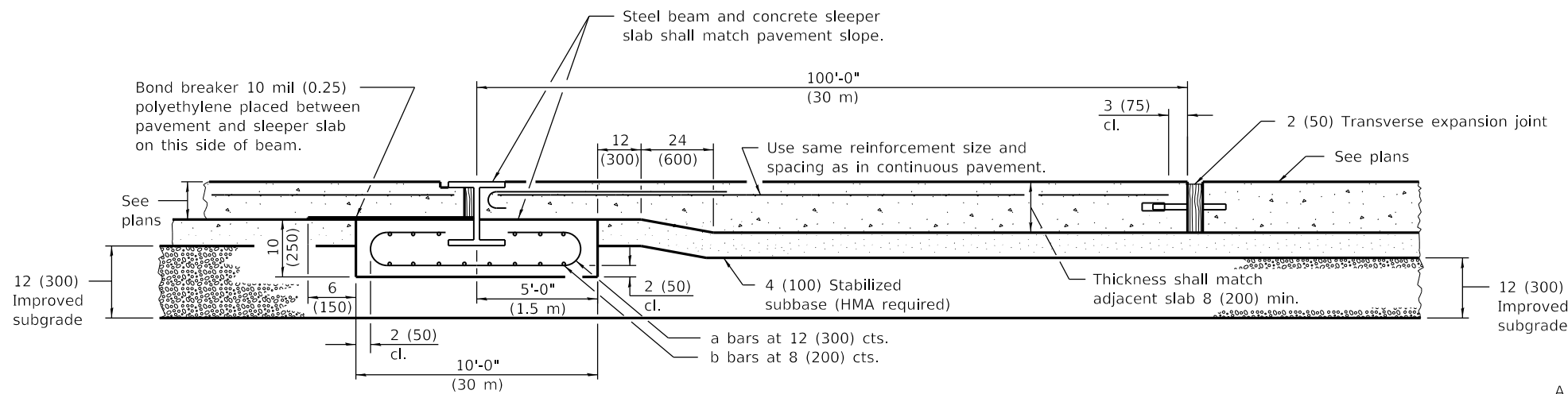
APPROVED January 1, 2018
Marcus M. Beck
 ENGINEER OF DESIGN AND ENVIRONMENT

ISSUED 1-1-97

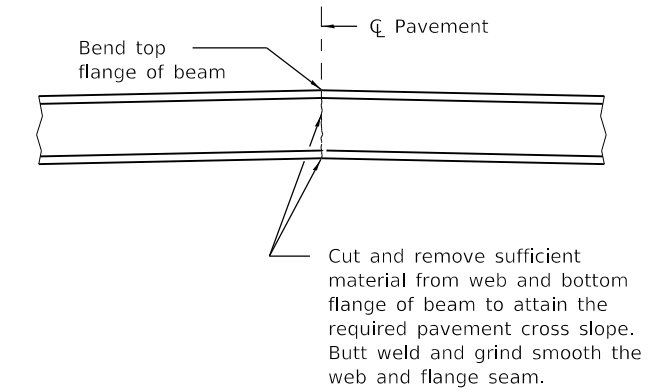
DATE	REVISIONS
1-1-18	Changed tie bar spacing to 36 (900) cts.
1-1-14	Added exp. jnts. in shlds. & omitted bars, cnst. jnt. over wide flange beam slpr slab.

24' (7.2 m)
CRC PAVEMENT
 (WITH WIDE FLANGE BEAM TERMINAL JOINT)
 (Sheet 1 of 2)

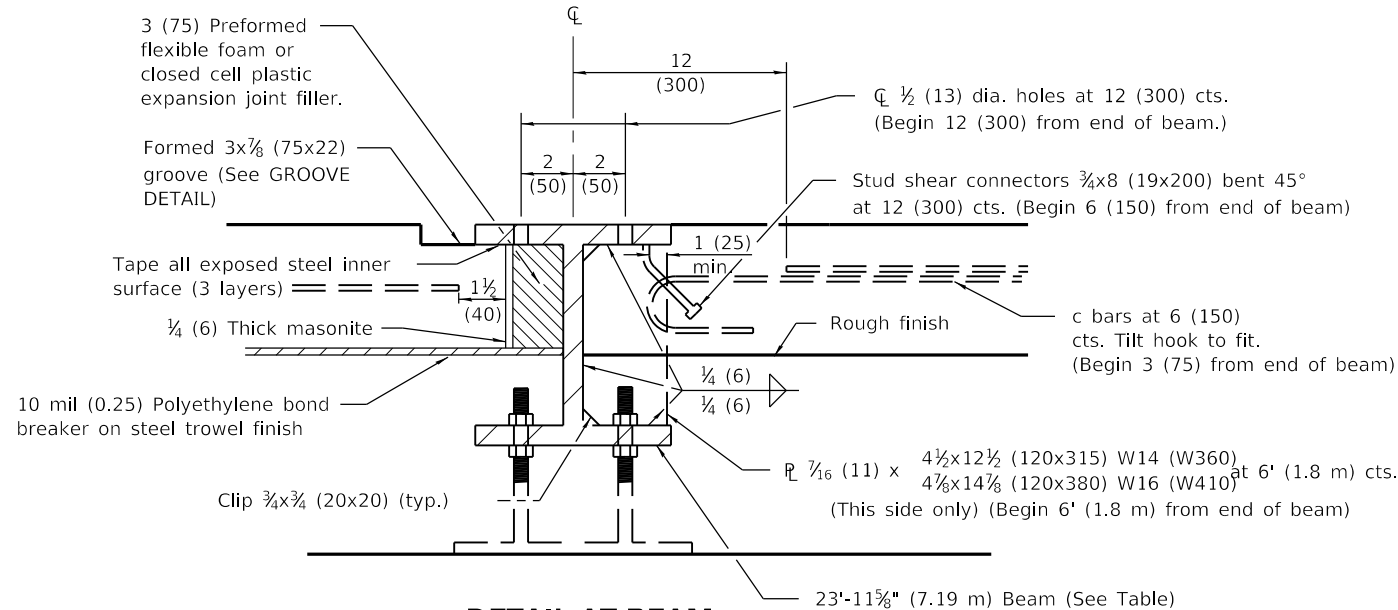
STANDARD 421101-10



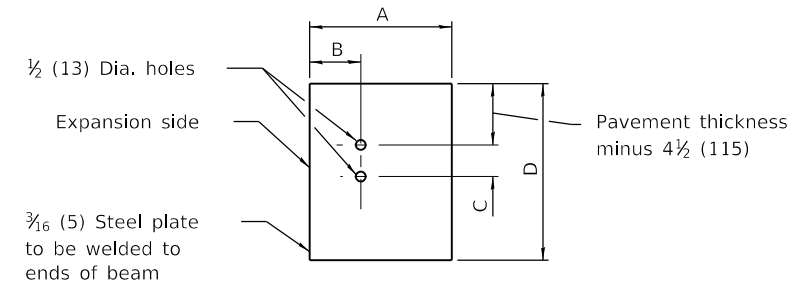
WIDE FLANGE BEAM TERMINAL JOINT



DETAIL OF CUTTING AND WELDING BEAM

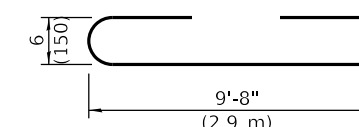


DETAIL AT BEAM

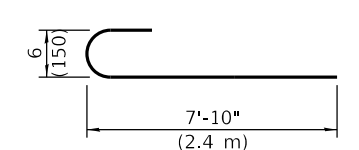


END PLATE

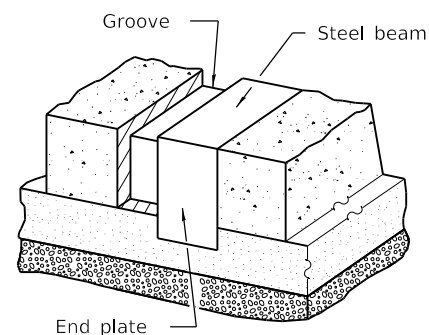
PAVEMENT THICKNESS	<10 (250)	≥10 (250)
BEAM SIZE	W14x82 (W360x122)	W16x100 (W410x1149)
A	10 5/8 (255)	10 5/8 (265)
B	4 5/16 (110)	4 7/16 (115)
C	3 (75)	4 (100)
D	14 1/4 (360)	17 (430)



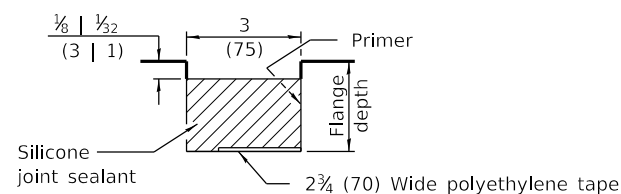
BAR a



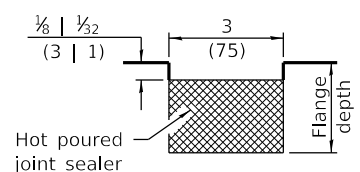
BAR c



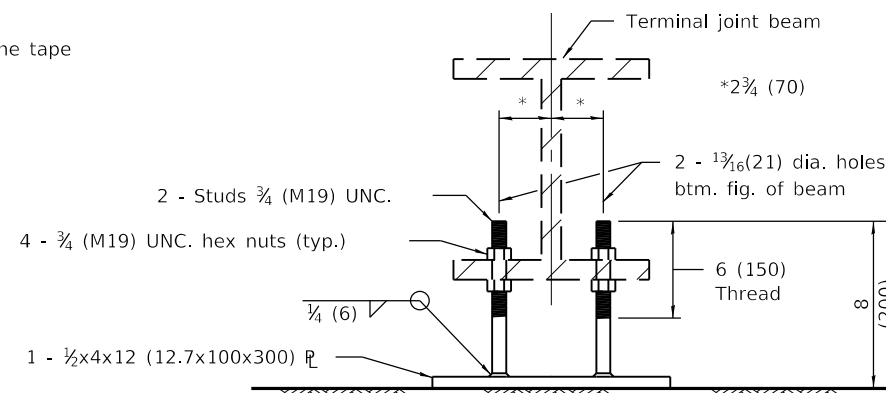
VIEW OF GROOVE AT EDGE OF PAVEMENT



GROOVE DETAIL



GROOVE DETAIL (OPTIONAL)



OPTIONAL ADJUSTABLE CHAIR

MATERIALS REQUIRED FOR ONE TRANSVERSE TERMINAL JOINT COMPLETE

Concrete, cu. yds. (m ³)	7.4 (5.4)
Reinforcement bars, lbs. (kg)	348 (160)
Pavement reinforcement, sq. yds. (m ²)	13.3 (10.8)

MATERIALS REQUIRED FOR ONE WIDE FLANGE BEAM TERMINAL JOINT COMPLETE

Bar	No.	Size	Length	Shape
a	24	No. 4 (No. 13)	19'-0" (5.8 m)	
b	29	No. 5 (No. 16)	23'-8" (7.1 m)	
c	48	No. 6 (No. 19)	8'-6" (2.6 m)	

Concrete, cu. yds. (m ³)	7.4 (5.4)
Reinforcement Bars, lbs. (kg)	1635 (740)
Structural Steel, lbs. (kg)	W14 (W360) 2025* (906*) W16 (W410) 2466* (1104*)

*Weight includes beam, end plates, stiffener plates and studs.

Pavement, sq. yds. (m ²)	266.7 (216)
Pavement Reinforcement, sq. yds. (m ²)	266.7 (216)
Stabilized Subbase, sq. yds. (m ²)	285 (230.8)
Improved Subgrade, sq. yds. (m ²)	300 (243)

**24' (7.2 m)
CRC PAVEMENT**

(WITH WIDE FLANGE BEAM TERMINAL JOINT)
(Sheet 2 of 2)

STANDARD 421101-10

Illinois Department of Transportation

PASSED January 1, 2018
Michael Brand
ENGINEER OF POLICY AND PROCEDURES

APPROVED January 1, 2018
Marcus M. Beck
ENGINEER OF DESIGN AND ENVIRONMENT

ISSUED 1-1-97