

TRANSVERSE CONSTRUCTION JOINT

GENERAL NOTES

Sealant components for the wide flange beam terminal joint shall be as follows: The sealant shall be Dow Corning 888 Silicone Highway Joint Sealant. The tape shall be Polyethylene Tape No. 40. The primer, used on the metal only, shall be Dow Corning 1200. At the Contractor's option the joint may be sealed as shown in the optional groove detail.

See Standard 421001 for details of pavement reinforcement.

See Standards 420001 and 420401 for joint details not shown.

All dimensions shall be in inches (millimeters) unless otherwise shown.

DATE	REVISIONS
1-1-18	Changed tie bar spacing to 36 (900) cts.
1-1-14	Added exp. jnts. in shlds. & omitted bars, cnst. jnt. over wide flange beam slpr. slab.

36' (10.8 m)
CRC PAVEMENT
 (WITH WIDE FLANGE BEAM TERMINAL JOINT)
 (Sheet 1 of 2)

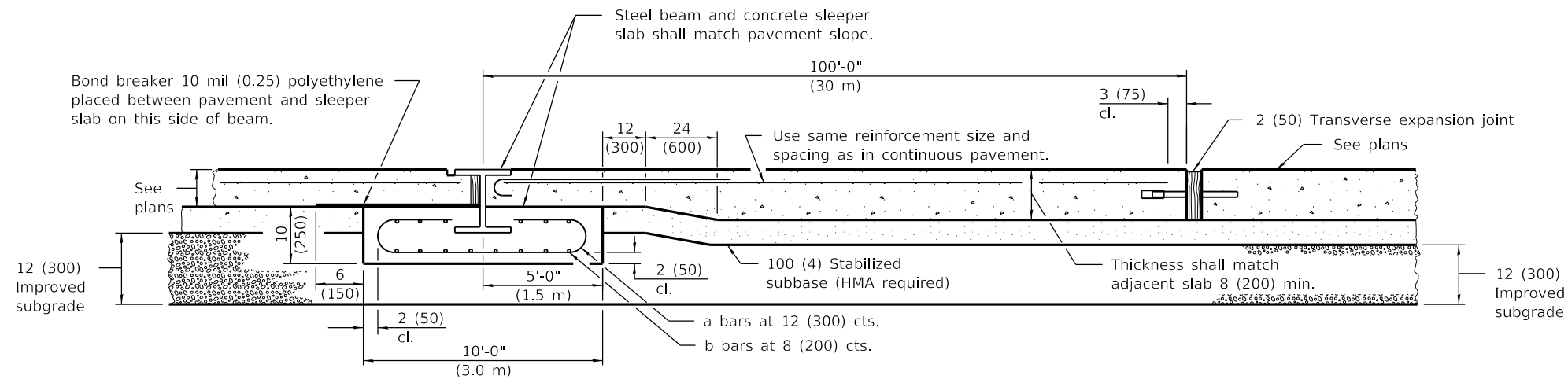
STANDARD 421106-10

Illinois Department of Transportation

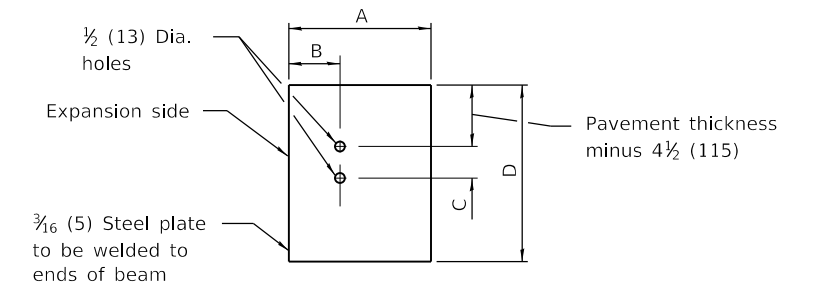
PASSED January 1, 2018
Michael Beard
 ENGINEER OF POLICY AND PROCEDURES

APPROVED January 1, 2018
Marcus M. Beck
 ENGINEER OF DESIGN AND ENVIRONMENT

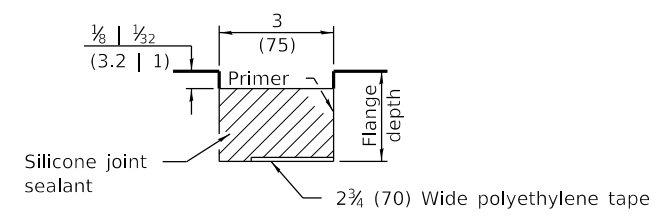
ISSUED 1-1-97



WIDE FLANGE BEAM TERMINAL JOINT

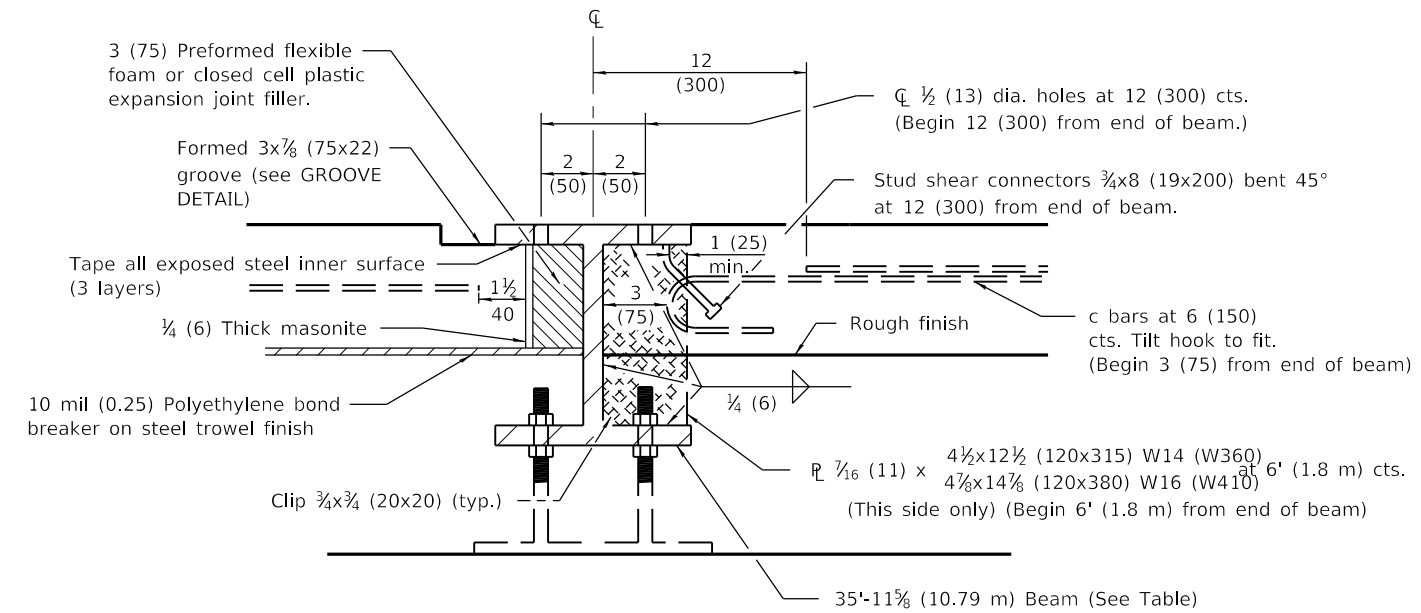


END PLATE

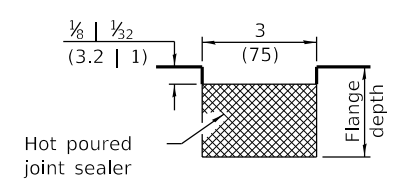


GROOVE DETAIL

PAVEMENT THICKNESS	<10 (250)	≥10 (250)
BEAM SIZE	W14X82 (W360X122)	w16x100 (W410x149)
A	10 7/8 (255)	10 3/8 (265)
B	4 3/16 (110)	4 1/16 (115)
C	3 (75)	4 (100)
D	14 1/4 (360)	17 (430)



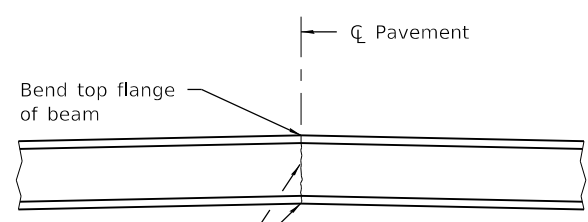
DETAIL AT BEAM



GROOVE DETAIL (OPTIONAL)

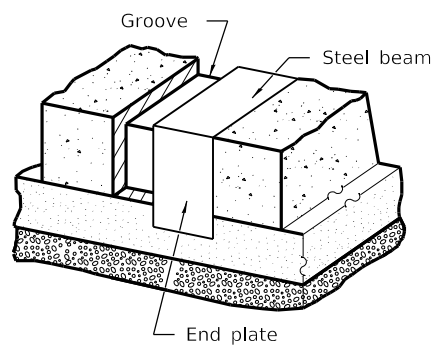
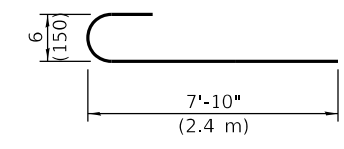
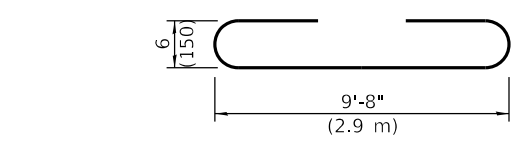
MATERIALS REQUIRED FOR ONE TRANSVERSE TERMINAL JOINT COMPLETE

Concrete, cu. yds. (m³)	11.1 (8.1)
Reinforcement bars, lbs. (kg)	523 (235)
Pavement reinforcement, sq. yds. (m²)	20 (16.2)

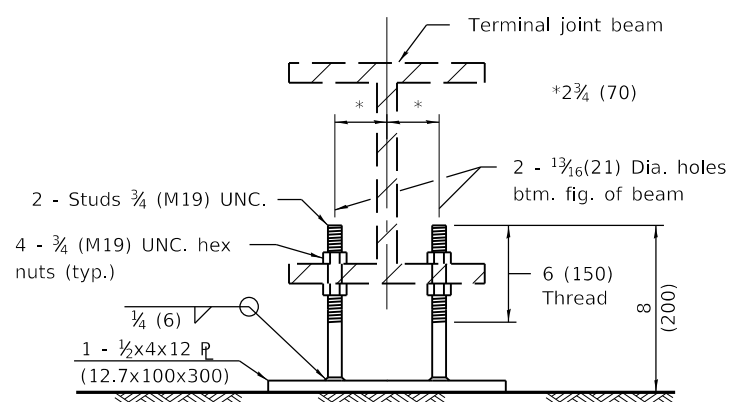


DETAIL OF CUTTING AND WELDING BEAM

Cut and remove sufficient material from web and bottom flange of beam to attain the required pavement cross slope. Butt weld and grind smooth the web and flange seam.



VIEW OF GROOVE AT EDGE OF PAVEMENT



OPTIONAL ADJUSTABLE CHAIR

MATERIALS REQUIRED FOR ONE WIDE FLANGE BEAM TERMINAL JOINT COMPLETE

Bar	No.	Size	Length	Shape
a	36	No. 4 (No. 13)	19'-0" (5.8 m)	
b	29	No. 5 (No. 16)	35'-8" (10.7 m)	
c	72	No. 6 (No. 19)	8'-6" (2.6 m)	

Concrete, cu. yds. (m³)	11.1 (8.1)
Reinforcement Bars, lbs. (kg)	2455 (1115)
Structural Steel, lbs. (kg)	W14 (W360) 3040 (1360) W16 (W410) 3710 (1655)

* Weight includes beam, end plates, stiffener plates and studs.

Pavement, sq. yds. (m²)	400 (324)
Pavement Reinforcement, sq. yds. (m²)	400 (324)
4 (100) Stabilized Subbase, sq. yds. (m²)	411.6 (333.5)
Improved Subgrade, sq. yds. (m²)	433.3 (351)

36' (10.8 m)
CRC PAVEMENT
(WITH WIDE FLANGE BEAM TERMINAL JOINT)
(Sheet 2 of 2)

STANDARD 421106-10

Illinois Department of Transportation

PASSED January 1, 2018
Michael Brand
ENGINEER OF POLICY AND PROCEDURES

APPROVED January 1, 2018
Marcus M. Beck
ENGINEER OF DESIGN AND ENVIRONMENT

ISSUED 1-1-97