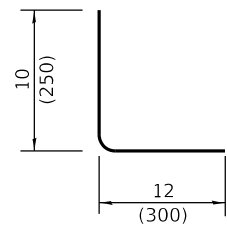
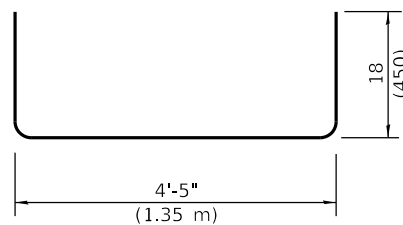


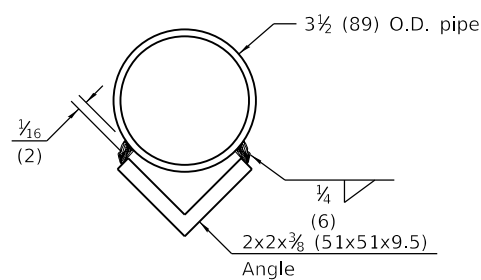
Bar h2



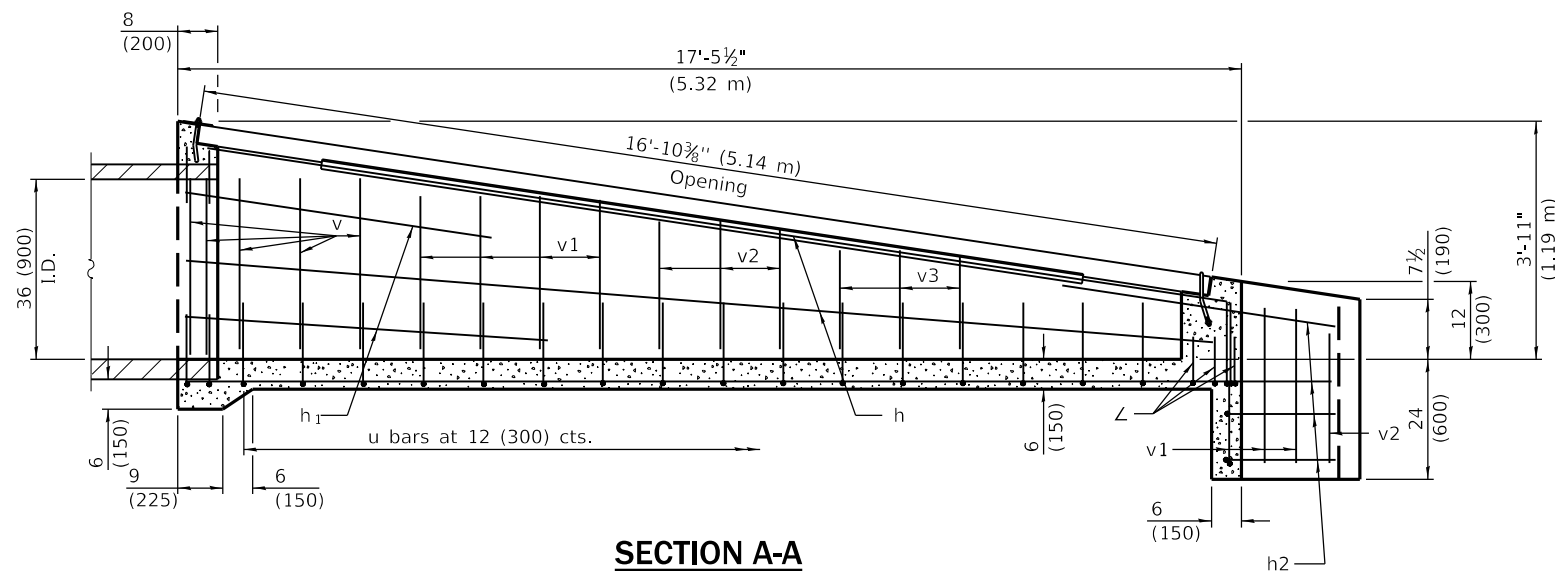
Bar L



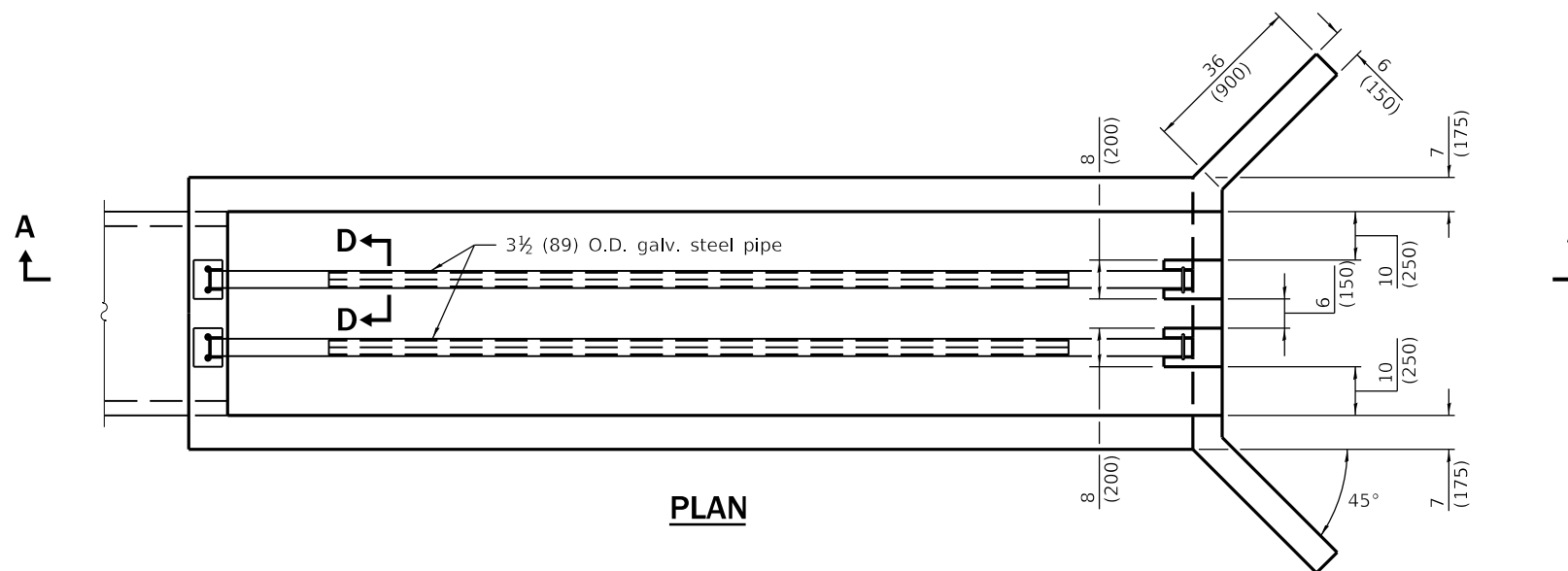
Bar u



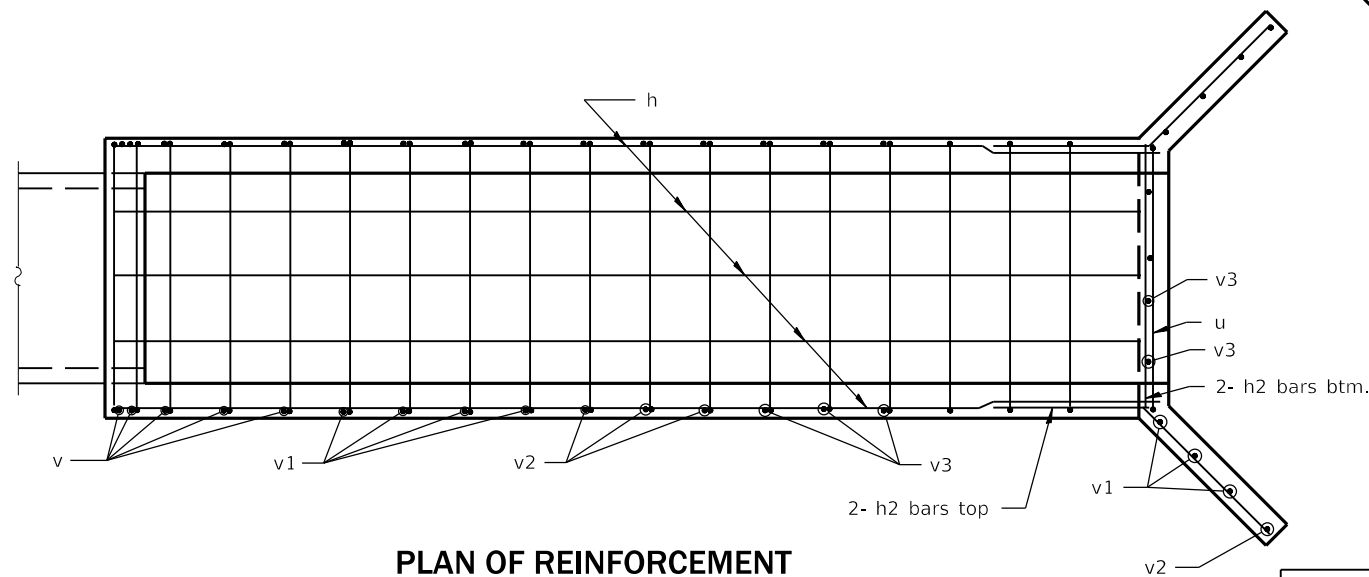
SECTION D-D



SECTION A-A



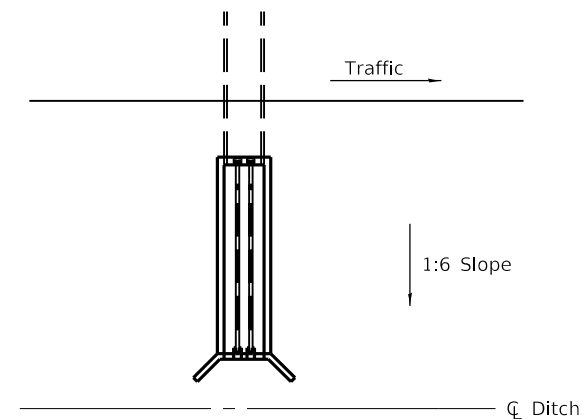
PLAN



PLAN OF REINFORCEMENT

Material required for one inlet box

Bar	Qty.	Size	Length
h	9	No. 4 (No. 13)	17'-0" (5.18 m)
h1	4	No. 4 (No. 13)	6'-3" (1.90 m)
h2	8	No. 4 (No. 13)	5'-0" (1.50 m)
L	6	No. 4 (No. 13)	22 (550)
u	21	No. 4 (No. 13)	7'-5" (2.25 m)
v	10	No. 4 (No. 13)	36 (910)
v1	14	No. 4 (No. 13)	30 (760)
v2	8	No. 4 (No. 13)	24 (610)
v3	10	No. 4 (No. 13)	18 (460)
Concrete	cu. yds. (m ³)		3.9 (3.0)
Reinf. Bars	lbs. (kg)		319 (145)
Galv. Steel Pipe	3 1/2 (89) O.D.	2 at 16'-10 3/8" (5.15 m)	
Galv. Steel Angle	2x2x3/8 (51x51x9.5)	2 at 12'-10" (3.90 m)	



Sketch showing location and direction of box in relation to centerline of ditch.

GENERAL NOTES

All slope ratios are expressed as units of vertical displacement to units of horizontal displacement (V:H).

All dimensions are in inches (millimeters) unless otherwise shown.

DATE	REVISIONS
1-1-10	Corrected 3'-11" vertical dimension line in Section A-A.
1-1-09	Switched units to English (metric).

**INLET BOX
TYPE 36 (900) A**

(Sheet 1 of 2)

STANDARD 542536-03

Illinois Department of Transportation

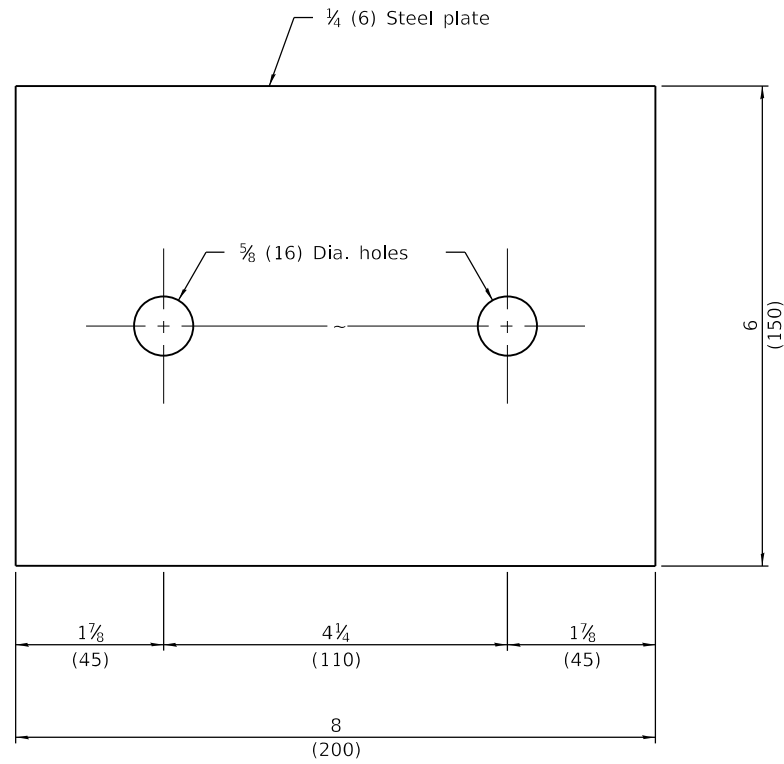
PASSED January 1, 2010

 ENGINEER OF POLICY AND PROCEDURES

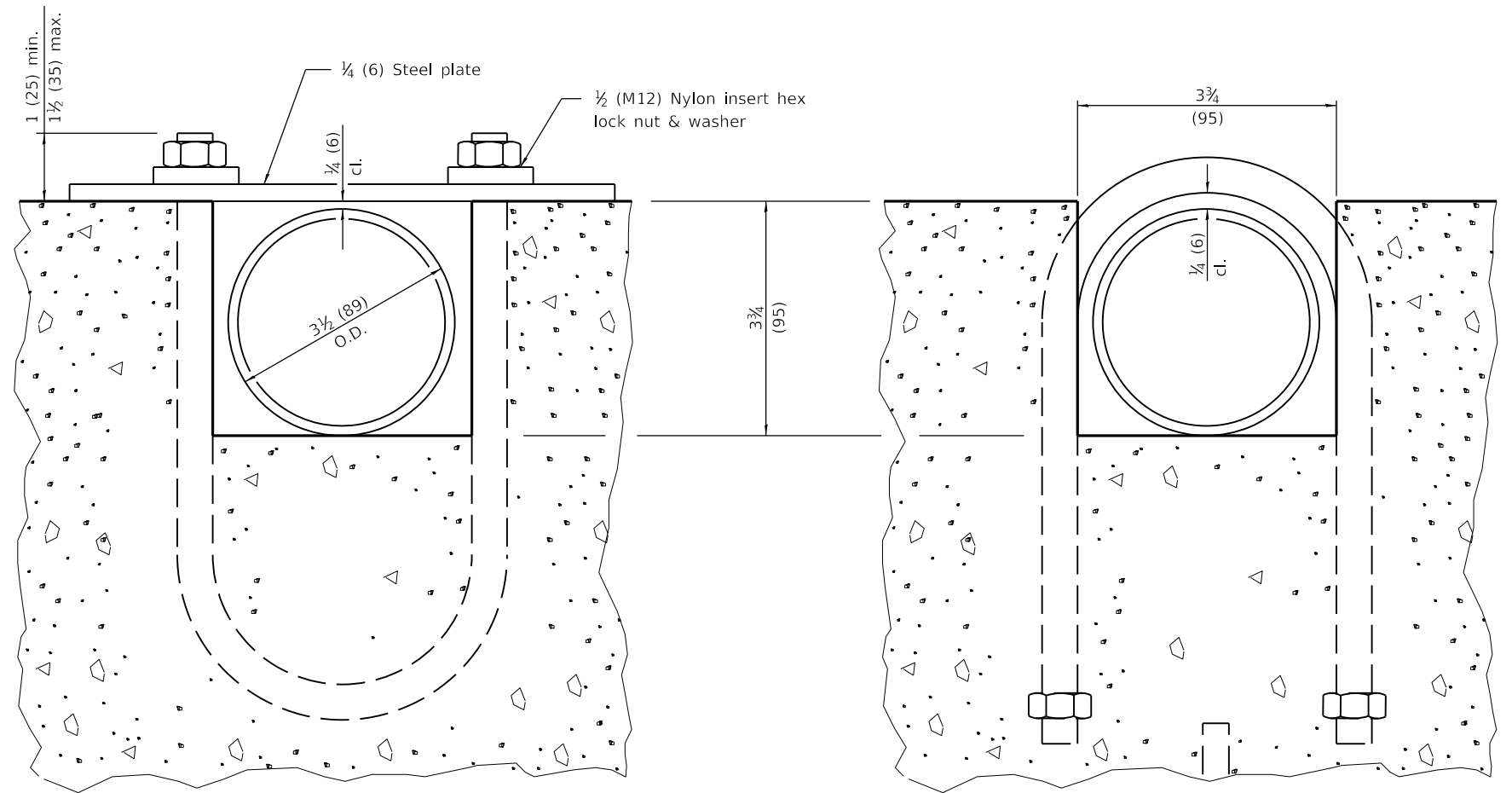
APPROVED January 1, 2010

 ENGINEER OF DESIGN AND ENVIRONMENT

ISSUED 1-1-97

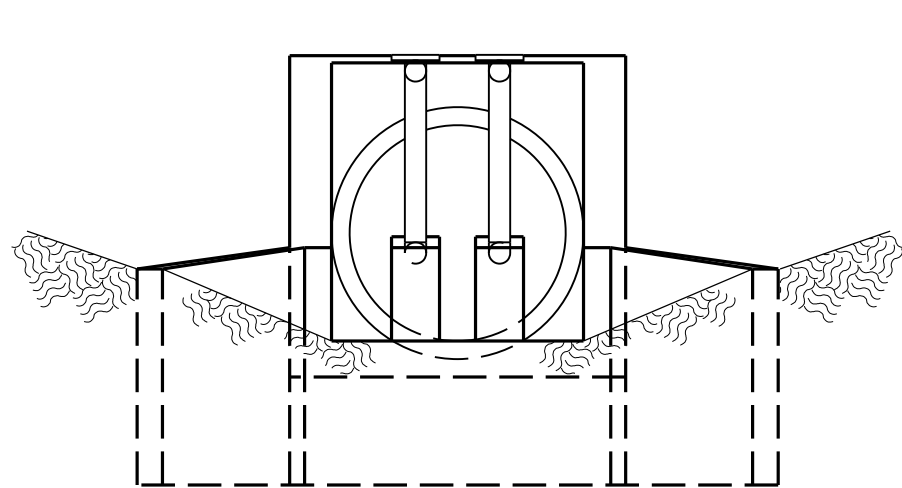


TOP ANCHOR PLATE
(2 - required)

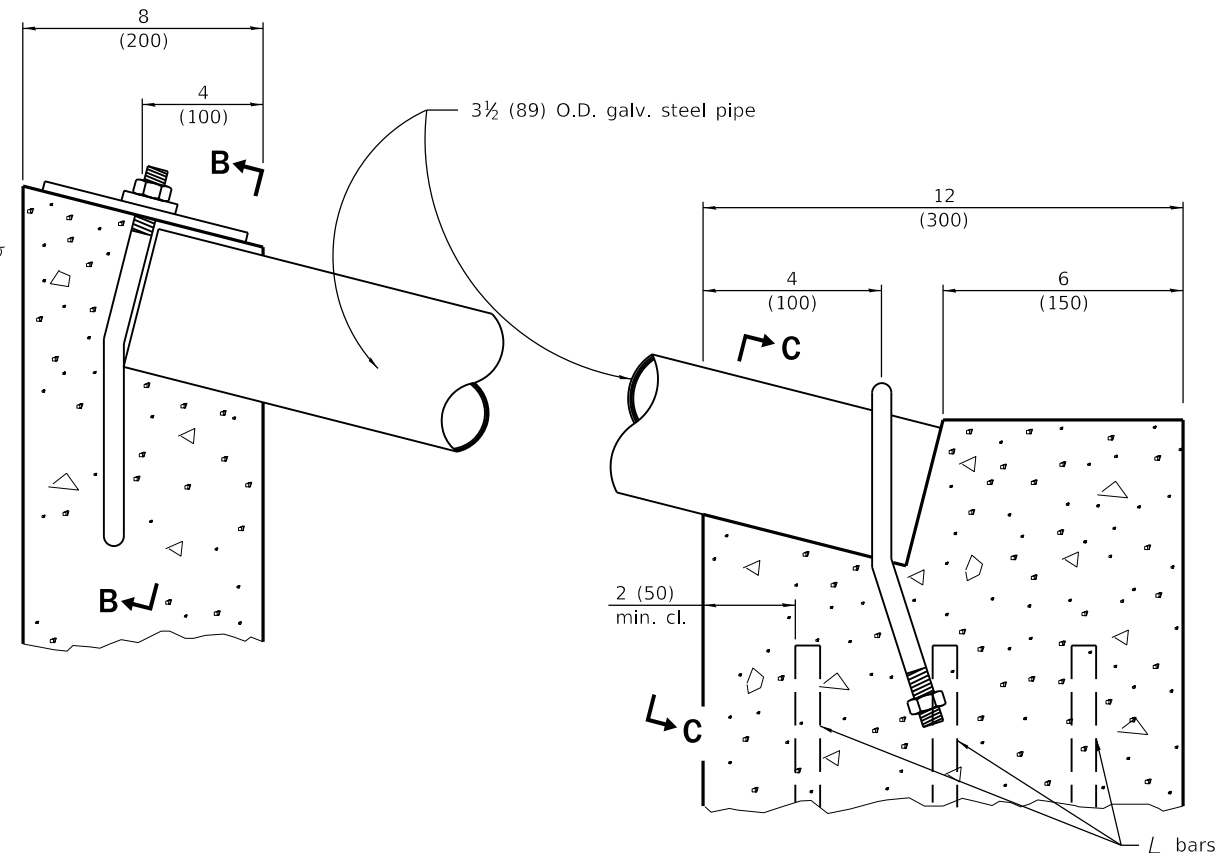


SECTION B-B

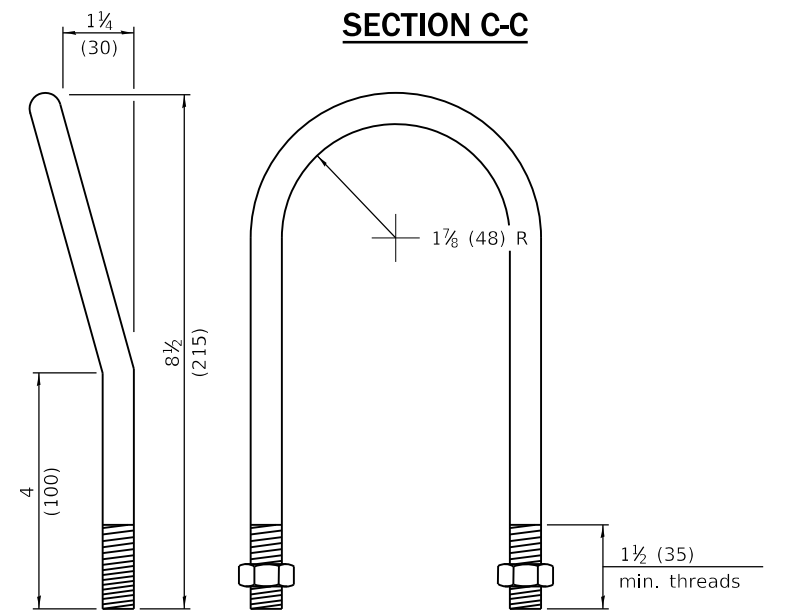
SECTION C-C



END VIEW



DETAIL AT BLOCKOUTS



1/2 (M12) U BOLT
(4 - required)

**INLET BOX
TYPE 36 (900) A**

(Sheet 2 of 2)

STANDARD 542536-03

Illinois Department of Transportation

PASSED January 1, 2010

ENGINEER OF POLICY AND PROCEDURES

APPROVED January 1, 2010

ENGINEER OF DESIGN AND ENVIRONMENT

ISSUED 1-1-97