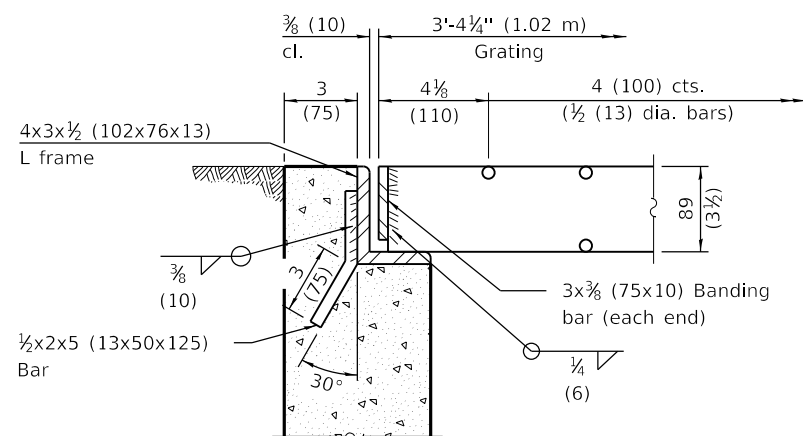
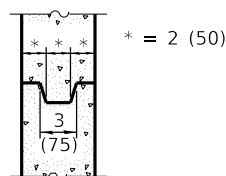


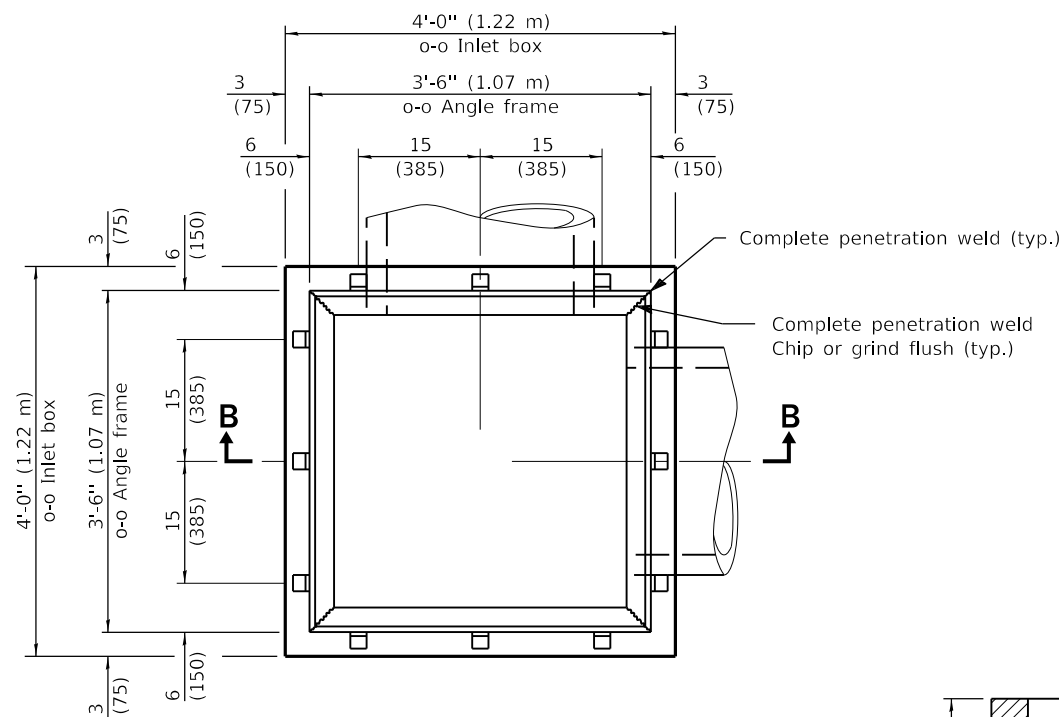
SECTION A-A



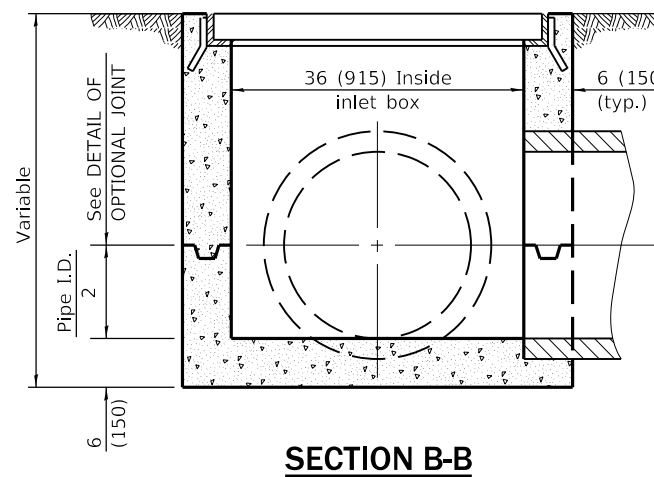
STEEL FRAME & GRATE



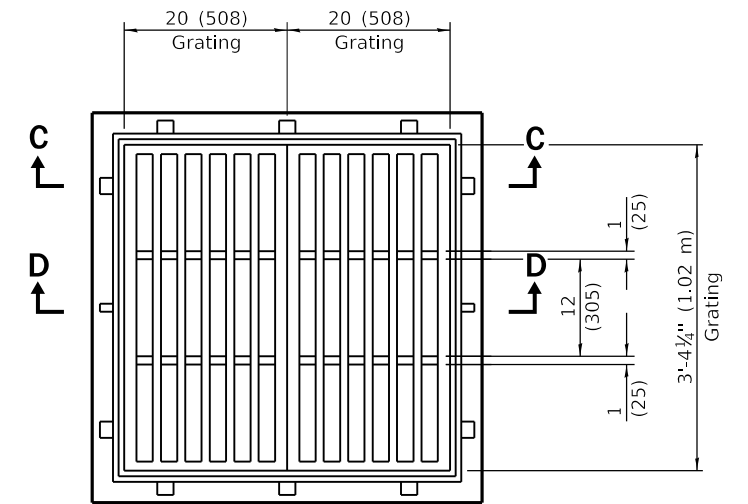
DETAIL of OPTIONAL JOINT



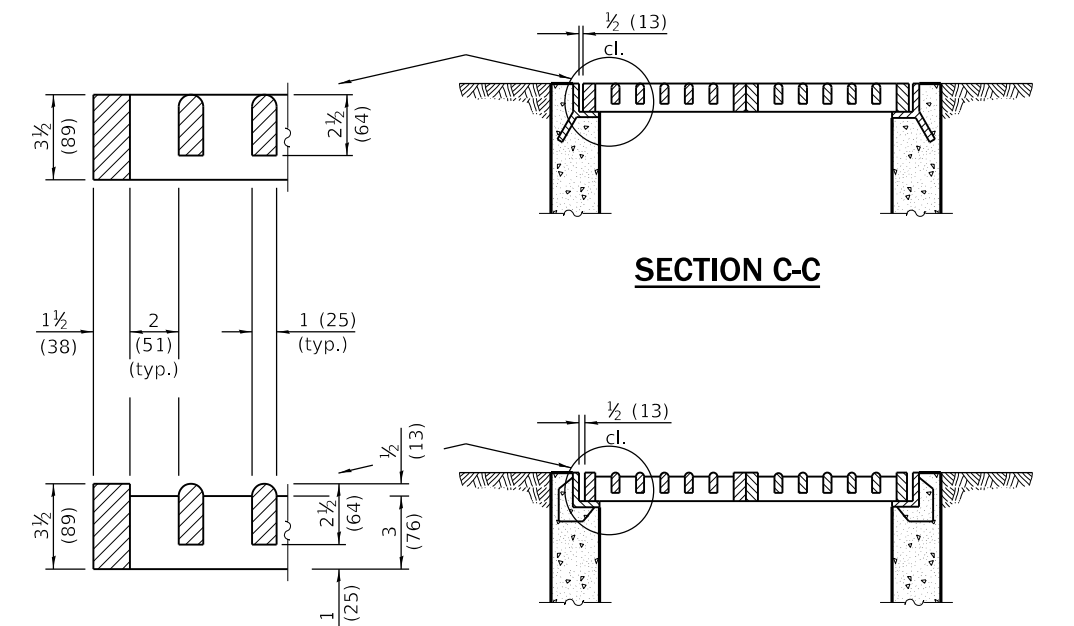
PLAN
(Grating omitted for clarity)



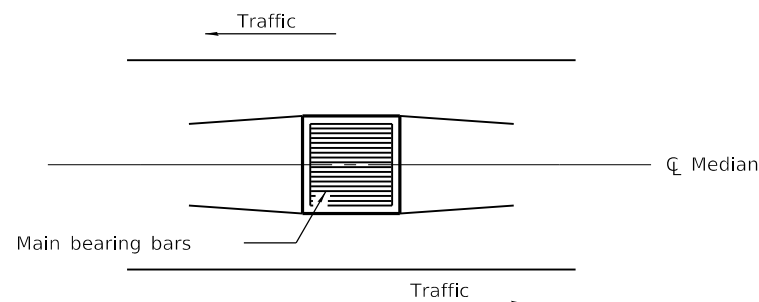
SECTION B-B



SECTION C-C



**SECTION D-D
CAST FRAME & GRATE**



Sketch showing location and direction of main bearing bars in relation to \bar{C} Median

All dimensions are in inches (millimeters) unless otherwise shown.

DATE	REVISIONS
1-1-09	Switched units to English (metric).
1-1-97	Renum. Standard 2240-6.

**FLUSH INLET BOX
FOR MEDIAN**

STANDARD 542546-01

Illinois Department of Transportation

PASSED January 1, 2009

ENGINEER OF POLICY AND PROCEDURES

APPROVED January 1, 2009

ENGINEER OF DESIGN AND ENVIRONMENT

ISSUED 1-1-97