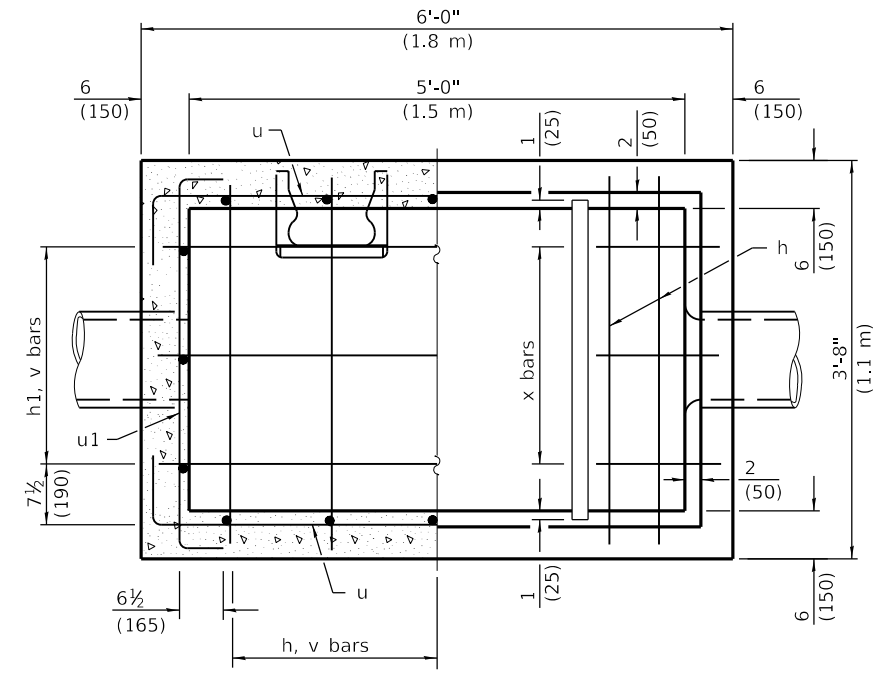


ELEVATION



SECTION A-A
(Grating removed to show plan of baffles.)

**MATERIALS REQUIRED FOR ONE (1)
TYPE B CATCH BASIN**

Bar	Qty.	Size	Shape	Length
h	7	No. 4 (No. 13)	—	3'-5" (1.02 m)
h1	3	No. 4 (No. 13)	—	5'-9" (1.72 m)
u	14	No. 4 (No. 13)	┌	7'-0" (2.10 m)
u1	14	No. 4 (No. 13)	┌	4'-6" (1.35 m)
v	16	No. 4 (No. 13)	—	6'-9" (2.02 m)
x	3	No. 4 (No. 13)	┌	1'-11" (580)
Concrete			cu. yd. (m ³)	2.5 (1.90)
Reinforcement bars			lbs. (kg)	210 (95)

All bars shall be at 12 (300) centers unless otherwise shown. Reinforcement bar clearance shall be 1½ (40).

GENERAL NOTES
See Standard 602701 for details of steps.

All dimensions are in inches (millimeters) unless otherwise shown.

DATE	REVISIONS
1-1-13	Revised and relocated steps.
1-1-11	Added additional bar identification.

**CATCH BASIN
TYPE B**

STANDARD 602006-04

Illinois Department of Transportation

PASSED January 1, 2013
Michael Beard
ENGINEER OF POLICY AND PROCEDURES

APPROVED January 1, 2013
[Signature]
ENGINEER OF DESIGN AND ENVIRONMENT

ISSUED 1-1-97