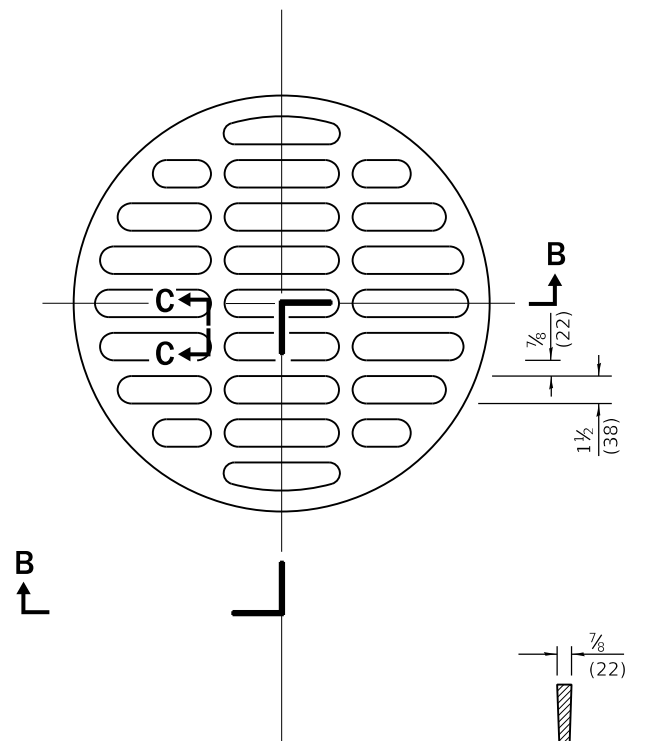
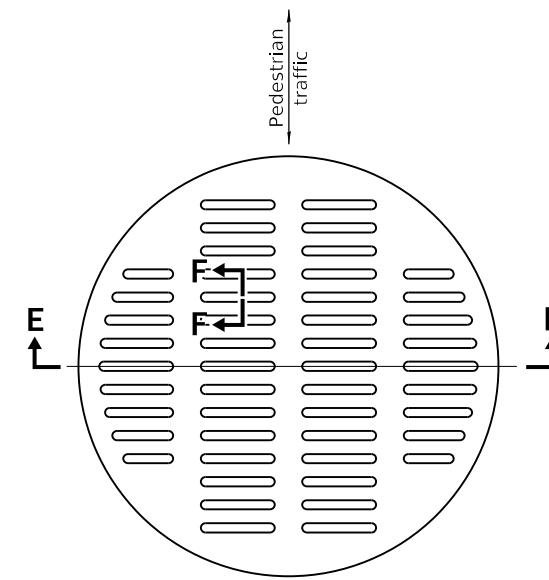


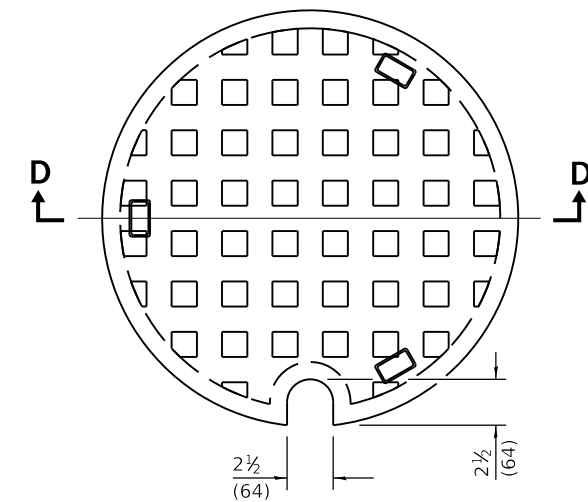
CAST FRAME



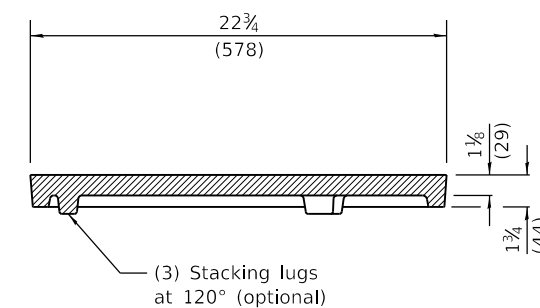
SECTION C-C



SECTION F-F

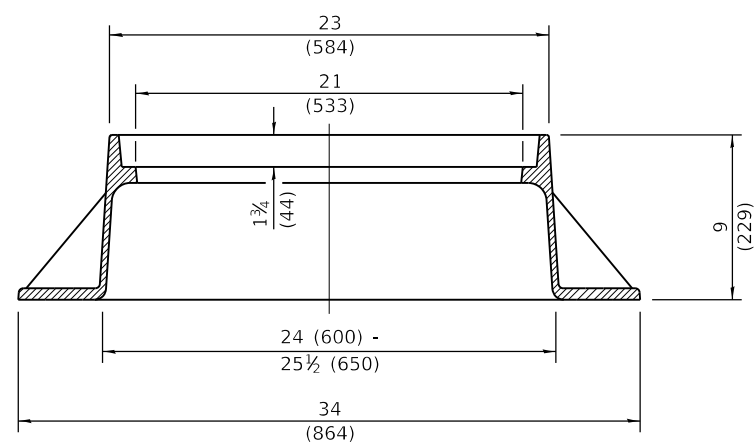


SECTION D-D



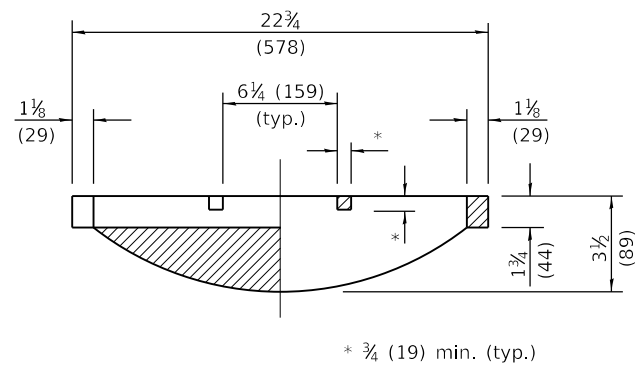
CAST CLOSED LID

Gray Iron Lid



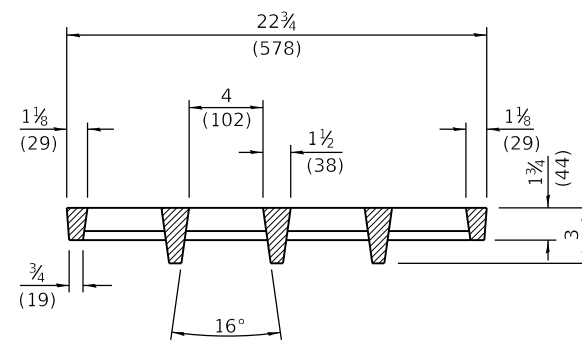
SECTION A-A

Gray Iron



SECTION B-B

CAST OPEN LID



SECTION E-E

**ADA COMPLIANT
CAST OPEN LID**

All dimensions are in inches (millimeters) unless otherwise shown.

Illinois Department of Transportation

PASSED January 1, 2020
Michael Bond
 ENGINEER OF POLICY AND PROCEDURES

APPROVED January 1, 2020
J. S. E. E.
 ENGINEER OF DESIGN AND ENVIRONMENT

ISSUED 1-1-97

DATE	REVISIONS
1-1-20	Revised dimension in Section B-B of cast open lid.
1-1-15	Revised dimensioning of frame. Added ADA compliant open lid.
1-1-09	Switched units to English (metric).

**FRAME AND LIDS
TYPE 1**

STANDARD 604001-05