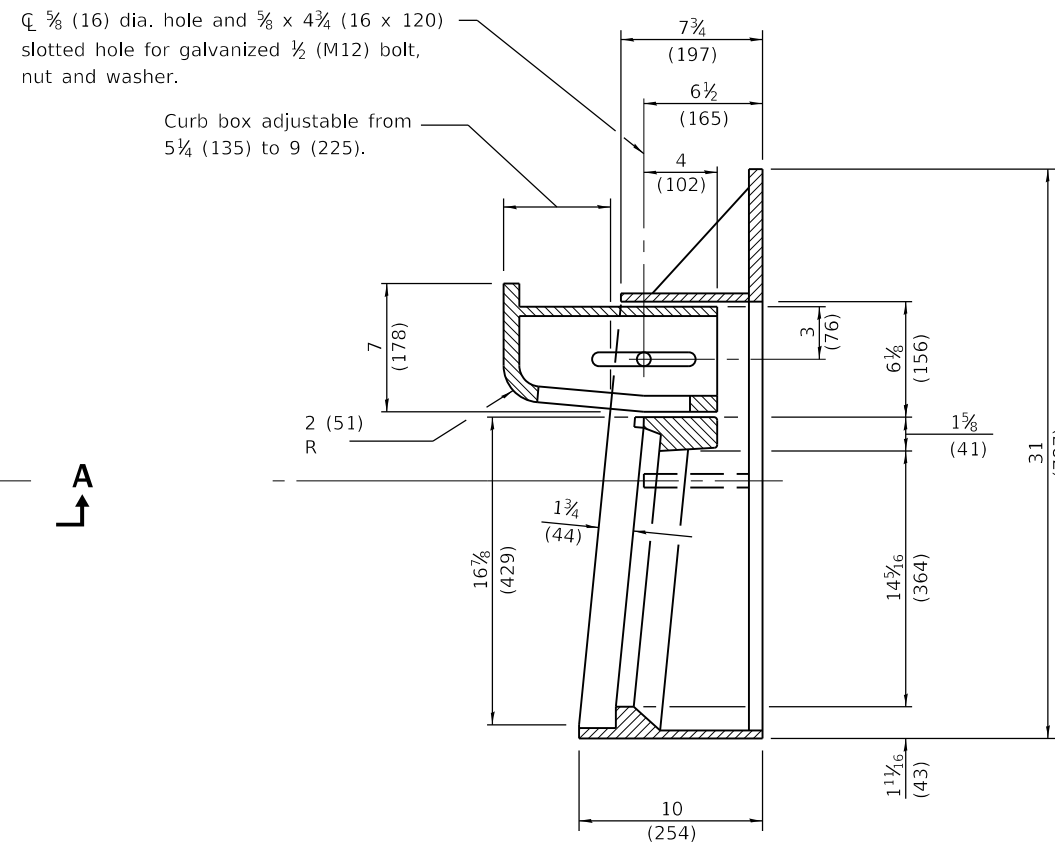
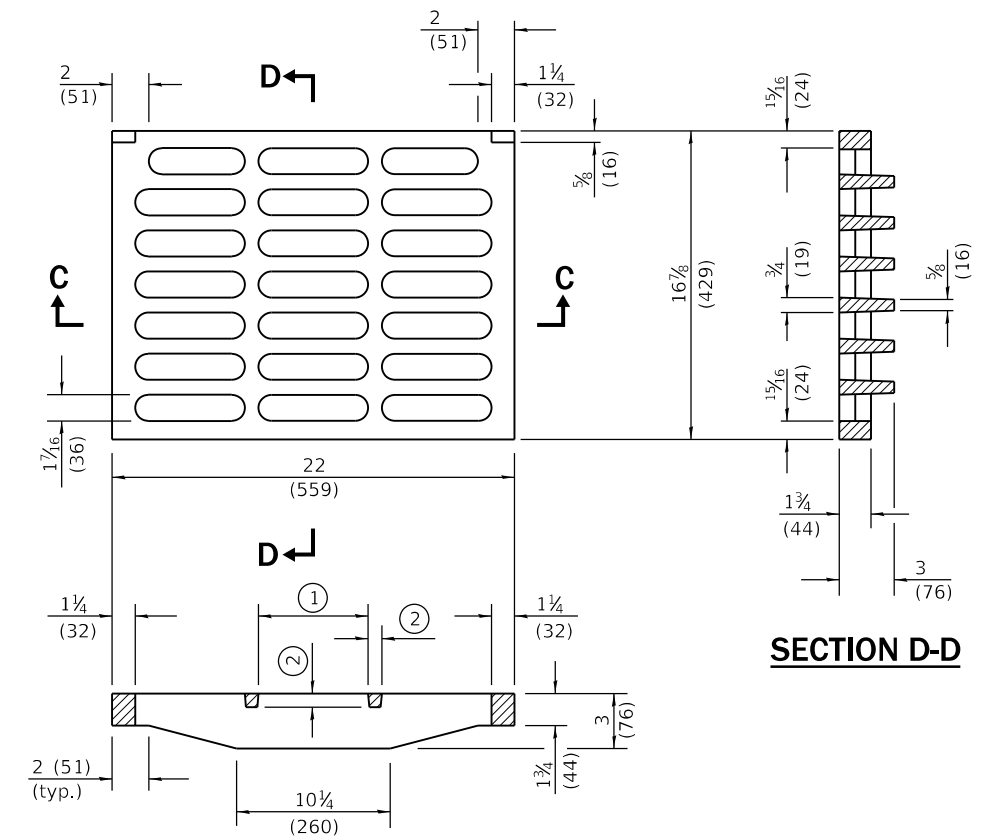


CAST FRAME



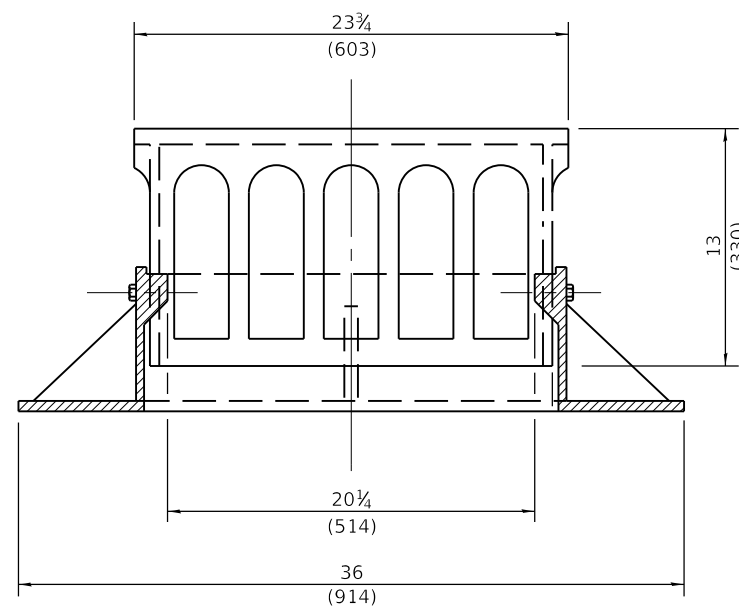
SECTION B-B



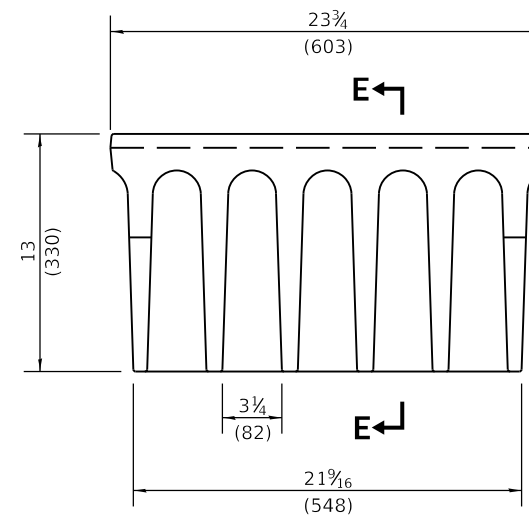
SECTION C-C

- ① = 6 (152) typ.
- ② = 3/4 (19) typ.

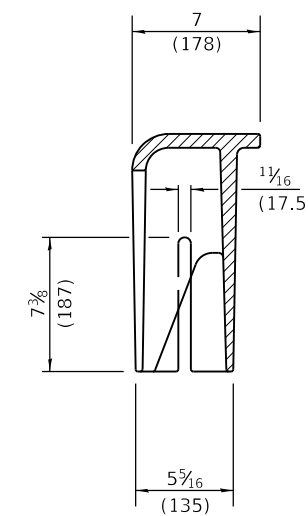
CAST GRATE



SECTION A-A



ALTERNATE CURB BOX



SECTION E-E

All dimensions are in inches (millimeters) unless otherwise shown.

Illinois Department of Transportation

PASSED January 1, 2015
Michael Beard
 ENGINEER OF POLICY AND PROCEDURES

APPROVED January 1, 2015
[Signature]
 ENGINEER OF DESIGN AND ENVIRONMENT

ISSUED 1-1-97

DATE	REVISIONS
1-1-15	Revised dimenstions of frame and alternate curb box.
1-1-09	Switched units to English (metric).

**FRAME AND GRATE
TYPE 3**

STANDARD 604006-05