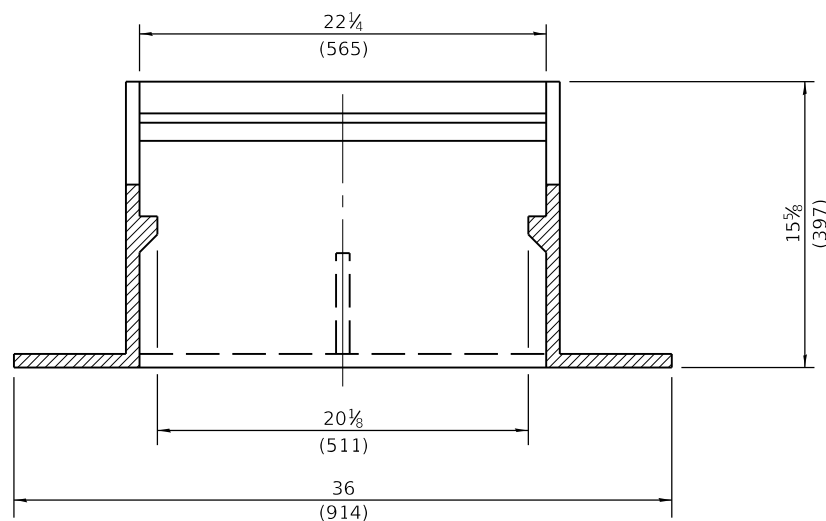
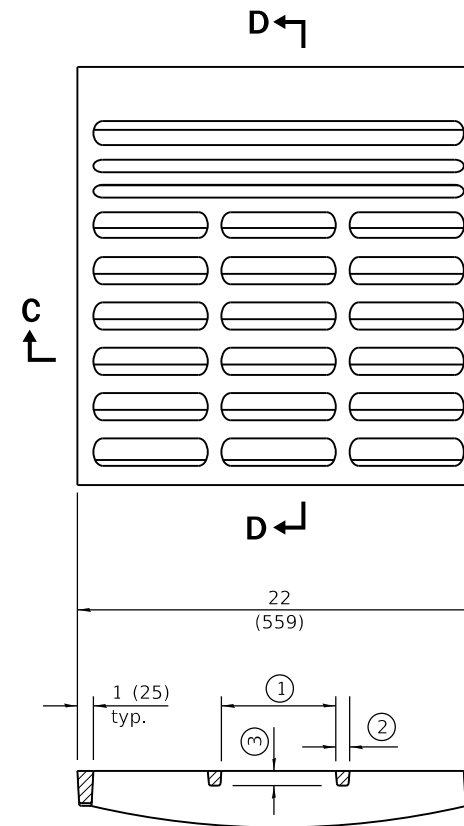


SECTION B-B



SECTION A-A

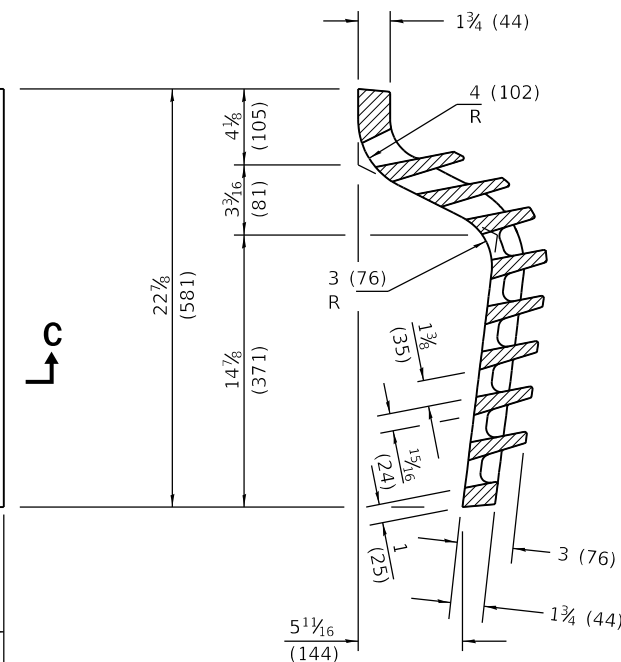
CAST FRAME



SECTION C-C

- ① = 6 1/4 (159) max. (typ.)
- ② = 3/4 (19) min. (typ.)
- ③ = 3/16 (21) min. (typ.)

CAST GRATE



SECTION D-D

All dimensions are in inches (millimeters) unless otherwise shown.

Illinois Department of Transportation

PASSED January 1, 2015
Michael Beard
 ENGINEER OF POLICY AND PROCEDURES

APPROVED January 1, 2015
[Signature]
 ENGINEER OF DESIGN AND ENVIRONMENT

ISSUED 1-1-97

DATE	REVISIONS
1-1-15	Revised dimensions of frame and grate.
1-1-09	Switched units to English (metric).

**FRAME AND GRATE
TYPE 6**

STANDARD 604026-03