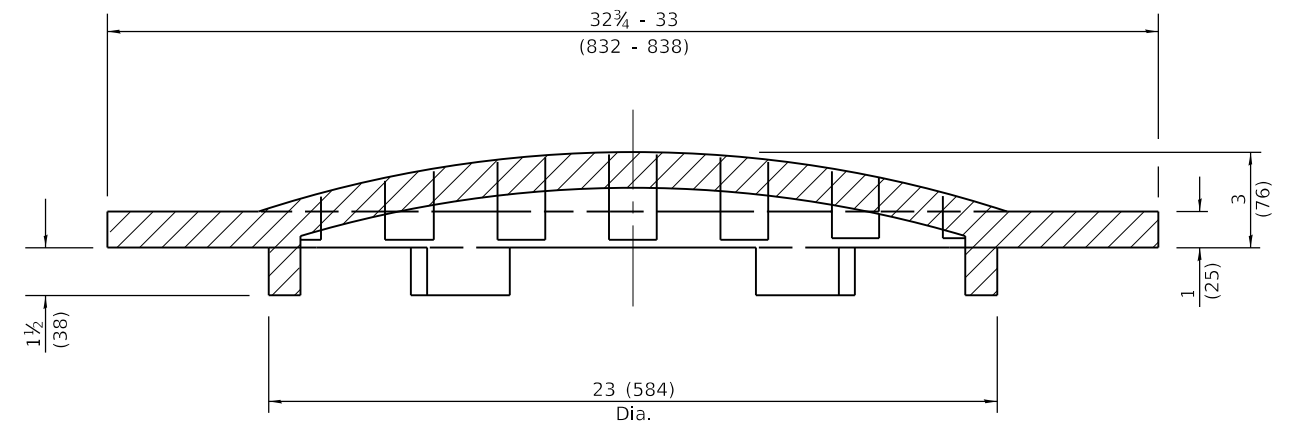


6 lugs shown,
3 permitted.

A
↑


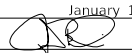
A
↑

CAST GRATE



SECTION A-A

All dimensions are in inches (millimeters)
unless otherwise shown.

 Illinois Department of Transportation
 PASSED January 1, 2015
Michael Beard
 ENGINEER OF POLICY AND PROCEDURES
 APPROVED January 1, 2015

 ENGINEER OF DESIGN AND ENVIRONMENT
 ISSUED 1-1-97

DATE	REVISIONS
1-1-15	Revised dimensions.
1-1-09	Switched units to English (metric).

GRATE TYPE 8

STANDARD 604036-03