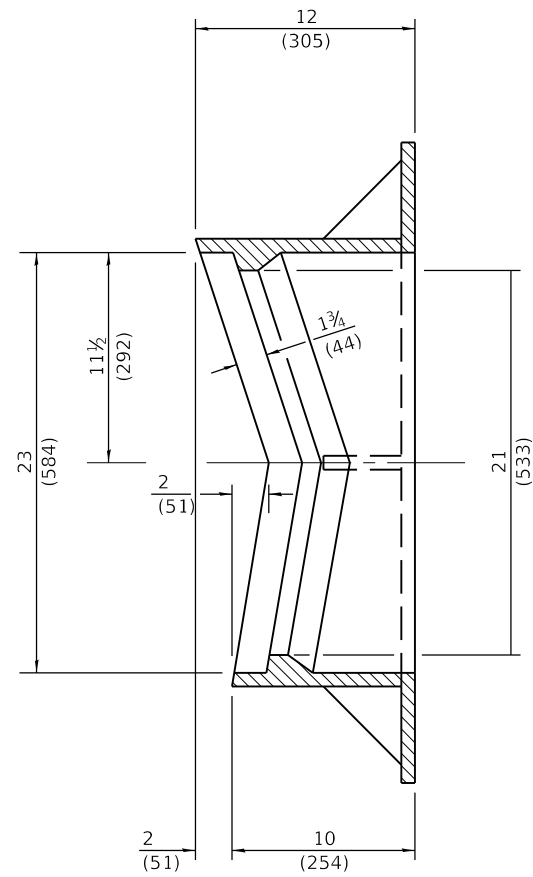
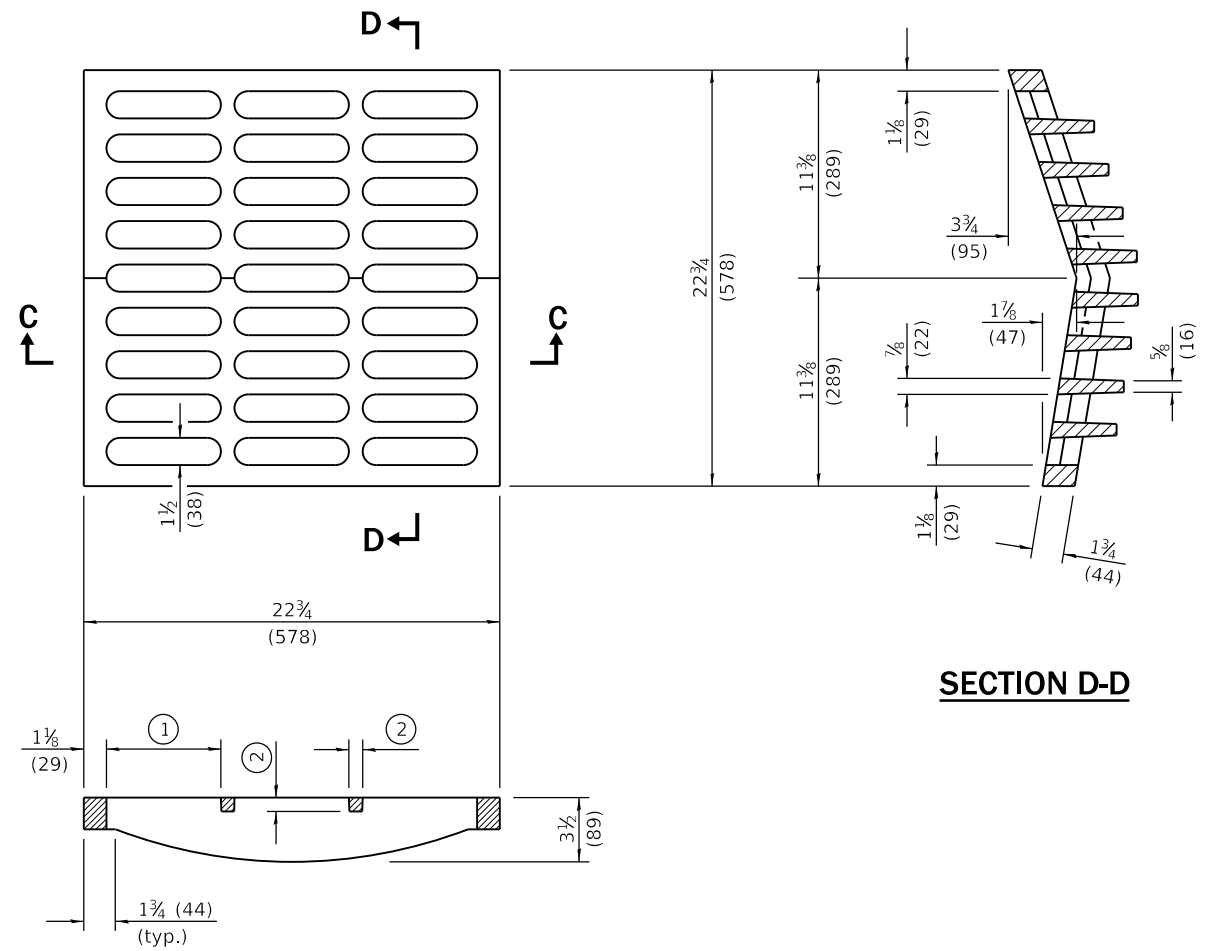


**SECTION A-A**

**CAST FRAME**



**SECTION B-B**



**SECTION D-D**

**SECTION C-C**

- ① = 6 1/4 (159) max. (typ.)
- ② = 3/4 (19) min. (typ.)

**CAST GRATE**

All dimensions are in inches (millimeters) unless otherwise shown.

DATE	REVISIONS
1-1-15	Revised dimensions of frame.
1-1-09	Switched units to English (metric).

**FRAME AND GRATE  
TYPE 9**

**STANDARD 604041-03**

Illinois Department of Transportation

PASSED January 1, 2015  
*Michael Beard*  
 ENGINEER OF POLICY AND PROCEDURES

APPROVED January 1, 2015  
*[Signature]*  
 ENGINEER OF DESIGN AND ENVIRONMENT

ISSUED 1-1-97