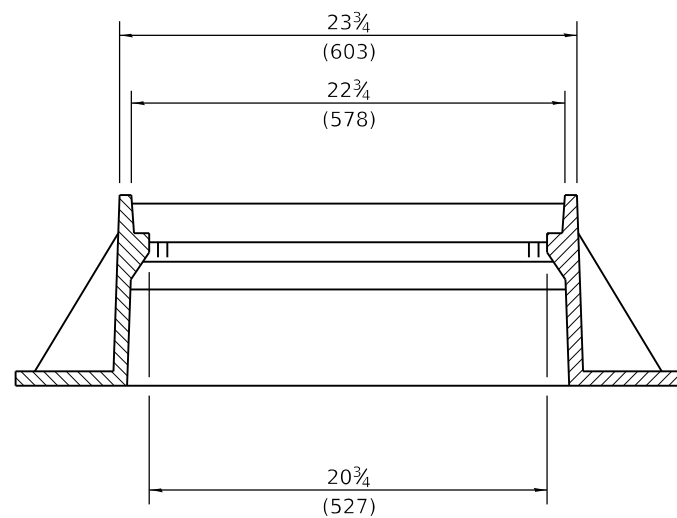
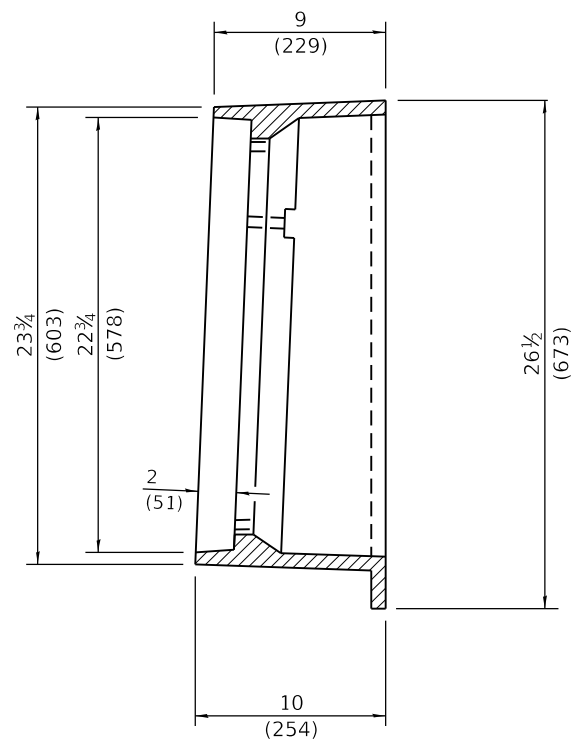


**PLAN**

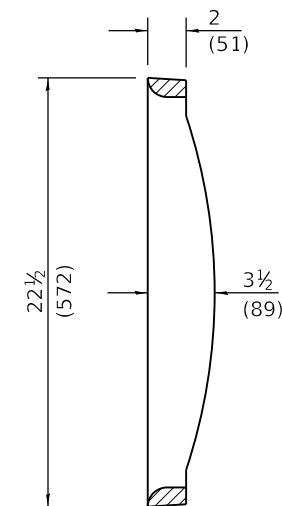
**CAST FRAME**



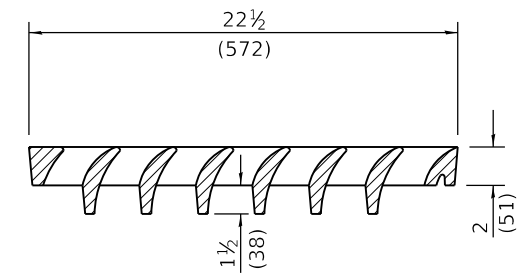
**SECTION A-A**



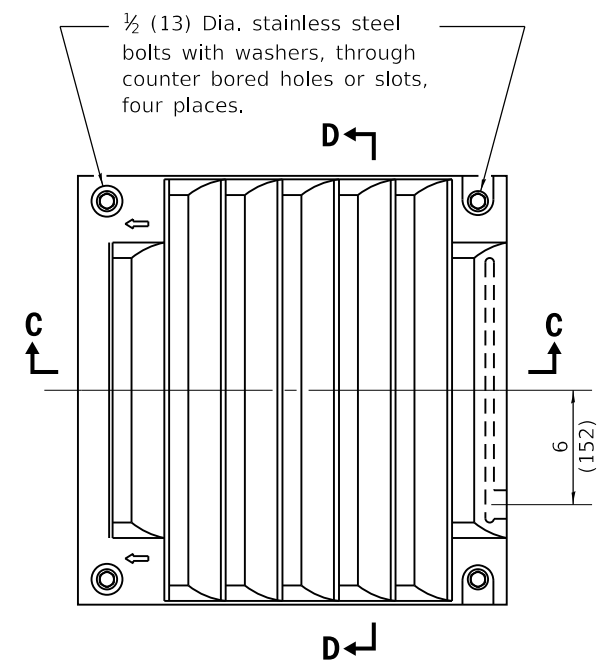
**SECTION B-B**



**SECTION D-D**



**SECTION C-C**



**CAST GRATE**

All dimensions are in inches (millimeters) unless otherwise shown.

DATE	REVISIONS
1-1-22	Removed slots in frame which held the "safety bar".
1-1-21	Removed "safety bar" from frame.

**FRAME AND GRATE  
TYPE 20**

**STANDARD 604071-07**

Illinois Department of Transportation  
 PASSED January 1, 2022  
*Michael Beard*  
 ENGINEER OF POLICY AND PROCEDURES  
 APPROVED January 1, 2022  
*John C. ...*  
 ENGINEER OF DESIGN AND ENVIRONMENT

ISSUED 1-1-97