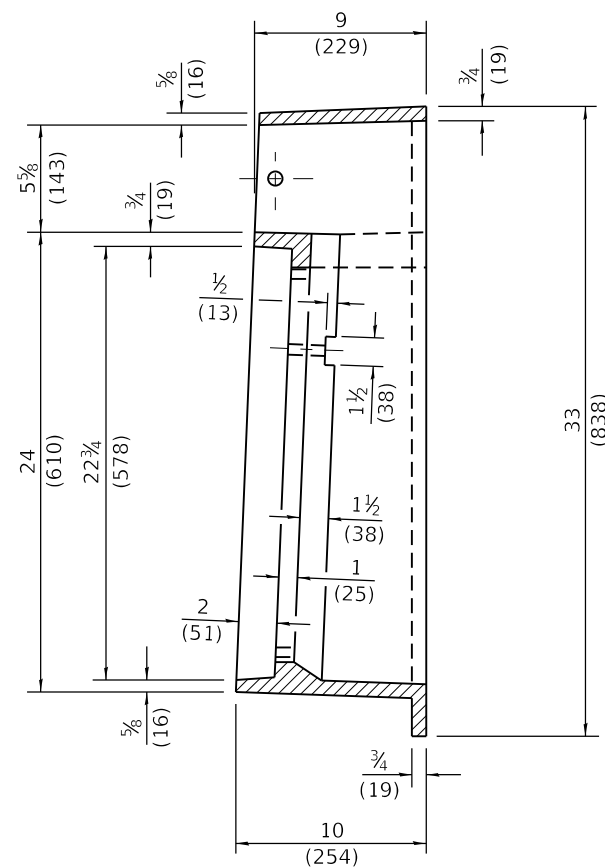
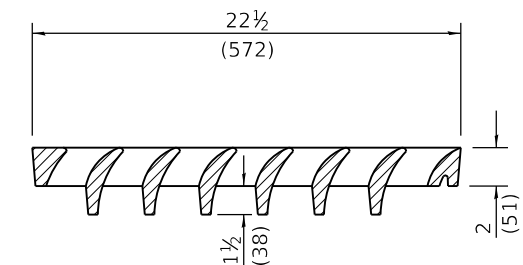


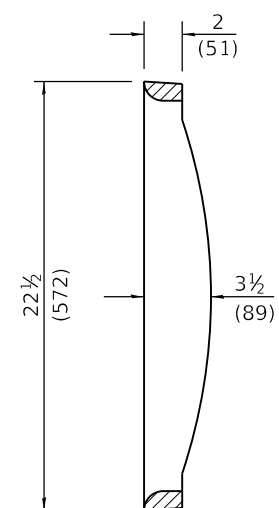
PLAN



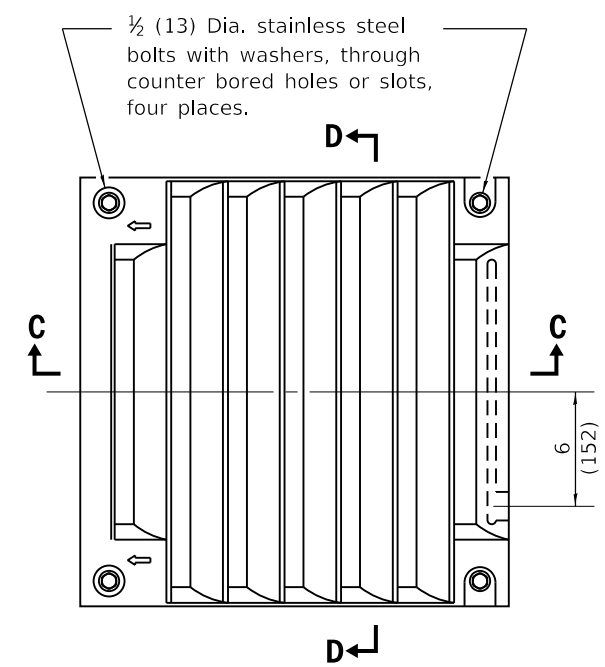
SECTION B-B



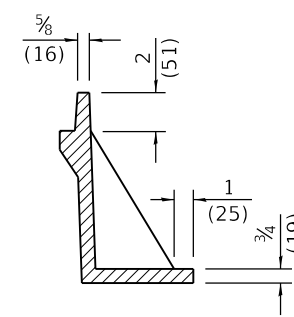
SECTION C-C



SECTION D-D

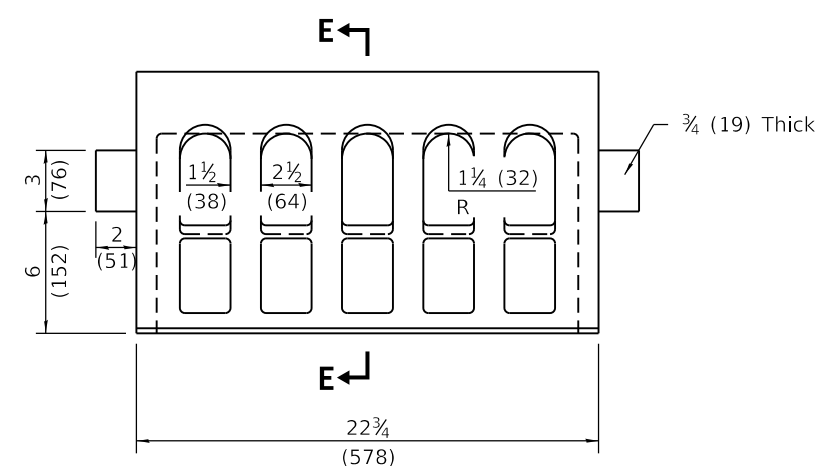


CAST GRATE

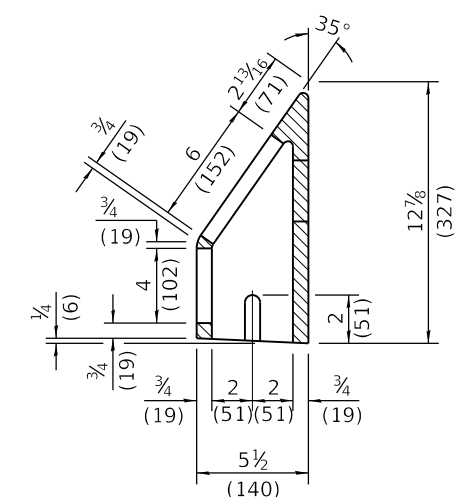


SECTION A-A

CAST FRAME



CURB BOX



SECTION E-E

All dimensions are in inches (millimeters) unless otherwise shown.

DATE	REVISIONS
1-1-22	Removed slots in frame which held the "safety bar".
1-1-21	Removed "safety bar" from frame.

**FRAME AND GRATE
TYPE 21**

STANDARD 604076-06

Illinois Department of Transportation

PASSED January 1, 2022
Michael Beard
ENGINEER OF POLICY AND PROCEDURES

APPROVED January 1, 2022
John C. ...
ENGINEER OF DESIGN AND ENVIRONMENT

ISSUED 1-1-9
46-T