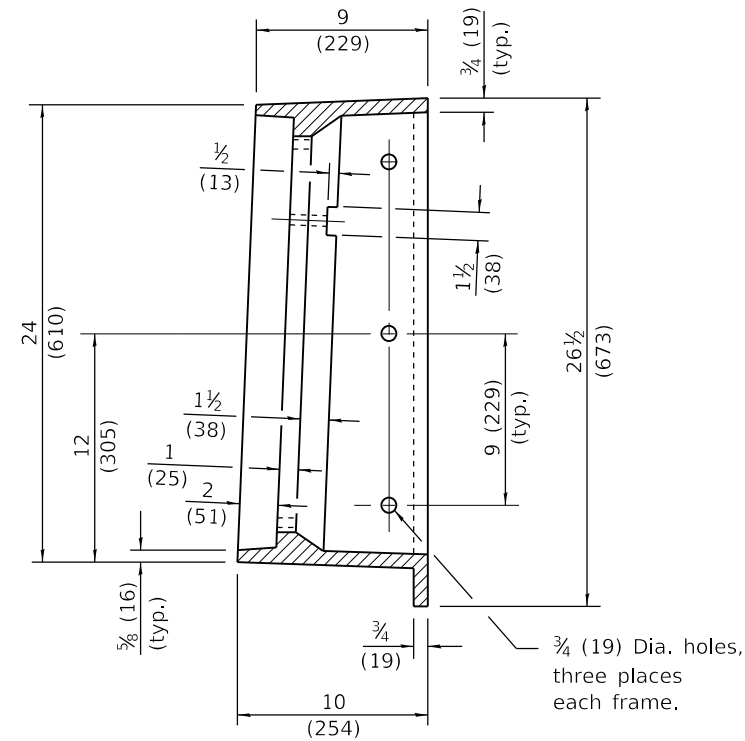
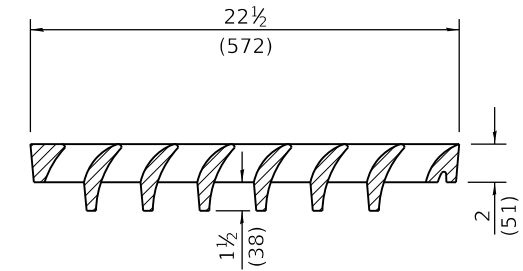


PLAN

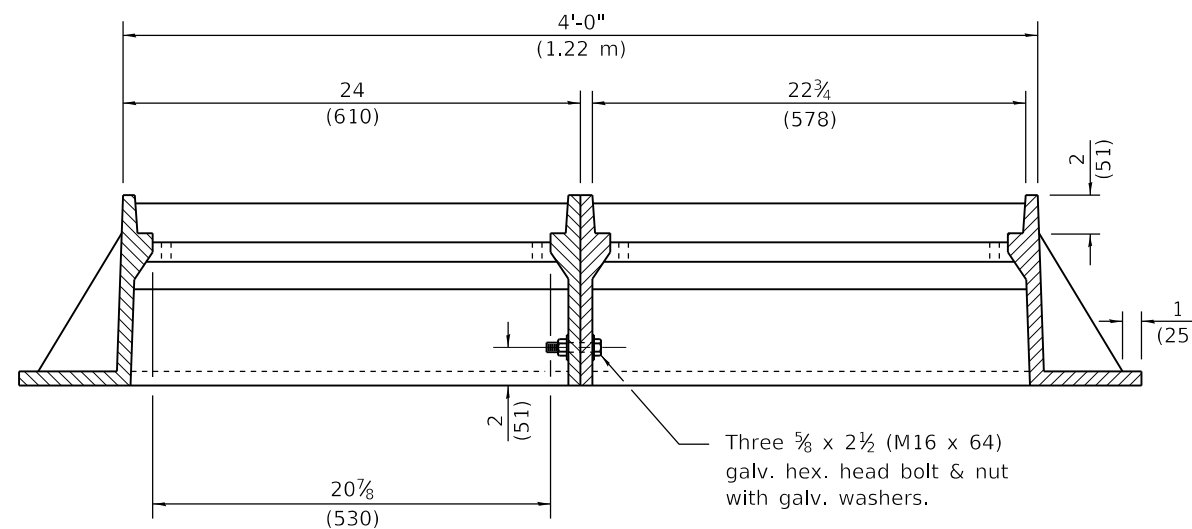
CAST FRAME



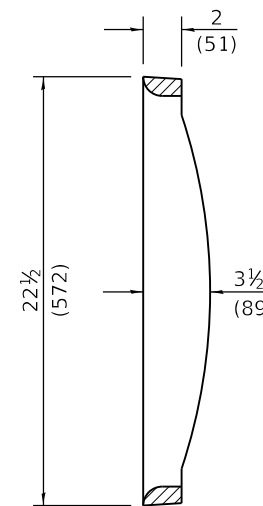
SECTION B-B



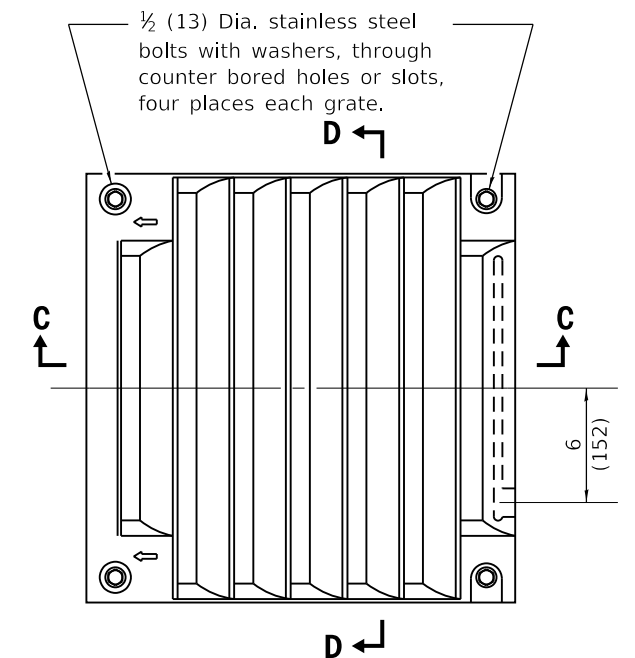
SECTION C-C



SECTION A-A



SECTION D-D



CAST GRATE

All dimensions are in inches (millimeters) unless otherwise shown.

Illinois Department of Transportation
 PASSED January 1, 2022
Michael Beard
 ENGINEER OF POLICY AND PROCEDURES
 APPROVED January 1, 2022
Scott Cbe
 ENGINEER OF DESIGN AND ENVIRONMENT
 ISSUED 1-1-97

DATE	REVISIONS
1-1-22	Removed slots in frame which held the "safety bar".
1-1-21	Removed "safety bar" from frame.

**FRAMES AND GRATES
TYPE 22**

STANDARD 604081-06